

OPULENCE "His" 23 In ABOVE COUNTER BASIN

Cat. No
4-372, 373



Faucet not included

W: 22⁷/₈"
D: 18¹/₂"
H: 4³/₄"

Features:

- ▶ Fine fire clay construction
- ▶ Transitional style
- ▶ Pre-drilled overflow hole
- ▶ Rectangular basin
- ▶ Back of basin is unfinished
- ▶ Available pre-drilled for 1-hole faucet (**4-372**), 4" centerset (**4-376**), and 8" widespread (**4-373**)

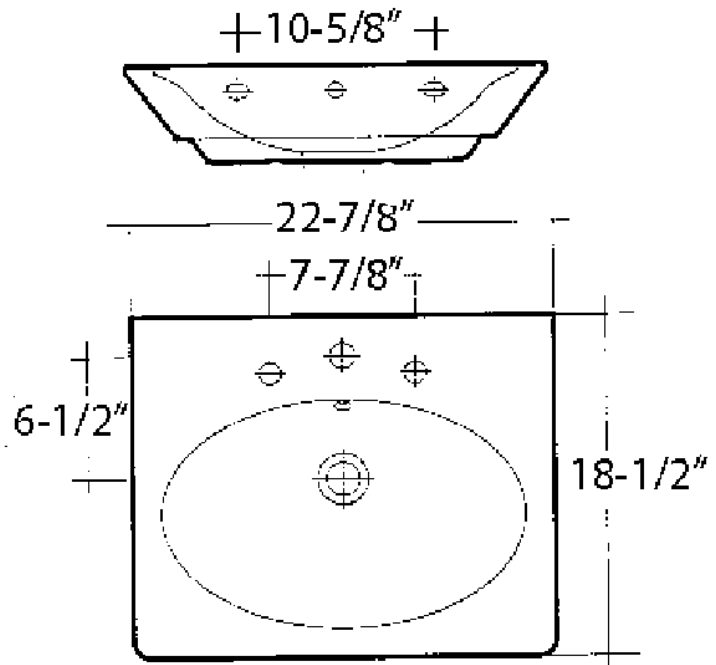
Colors:

WH White

Compliance Certification
Meets or exceeds the following specifications: ASME A112.19.2:2018 and CSA B45.1-18 for ceramic plumbing fixtures.

Interior Dimensions:

Basin Interior:	18 ¹ / ₂ " x 12"
Water depth to OF:	2 ¹ / ₂ "
Basin Depth:	4 ¹ / ₂ "
Water depth to overflow:	3- ¹ / ₄ "
Back of basin to center of faucet:	2 ³ / ₈ "
Back of basin to center of drain:	9"
Depth to overflow:	3"
Mount holes cc:	10 ⁵ / ₈ "
Faucet and spout holes:	1 ³ / ₈ "



Dimensions of fixture are nominal and may vary within the range of tolerances established by ASME Standard A112.19.2. Dimensions and specifications subject to change without notice.