

# EXTENDED PUSH BUTTON ASSEMBLY

Cat. No.  
5599EXL



## BARCLAY

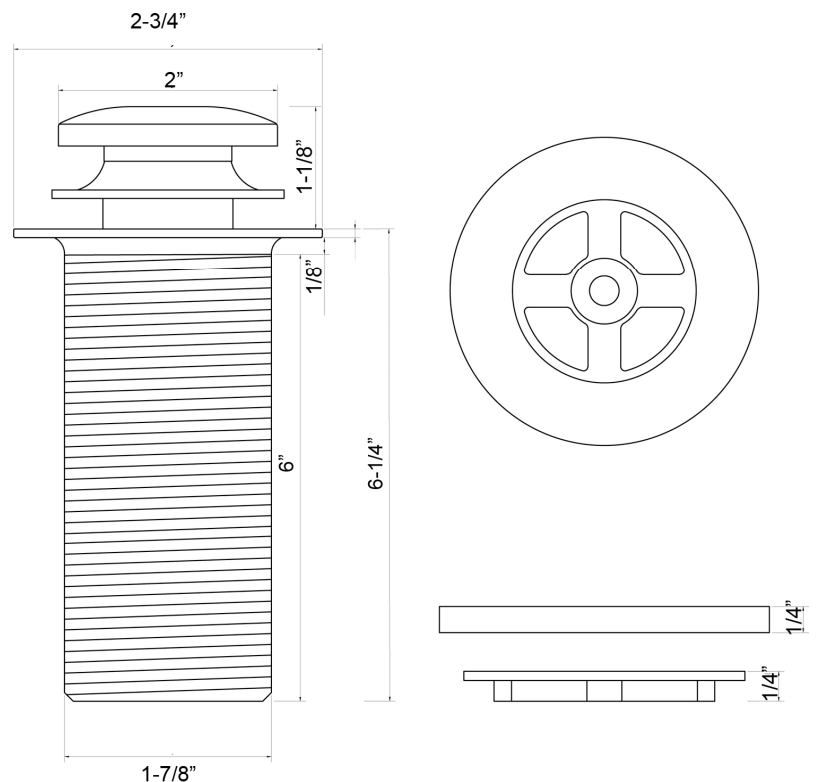


### Features:

- ▶ Forged brass construction
- ▶ Push button stopper
- ▶ For use with tubs without overflow
- ▶ Rubber gasket included
- ▶ Accommodates tub with thicker floors
- ▶ Threaded body is 6" long
- ▶ Available in 7 Finishes

### Finishes:

<b>BN</b>	Brushed Nickel	<b>MB</b>	Matte Black
<b>CP</b>	Polished Chrome	<b>WH</b>	White
<b>ORB</b>	Oil Rubbed Bronze		
<b>PB</b>	Polished Brass		
<b>PN</b>	Polished Nickel		



Dimensions and specifications subject to change without notice.

09/21/2018

P 847•244•1234

www.barclayproducts.com