



S19390-GA4L_GA4LA

General Area Gravity Fed Safety Shower

- Ideal for locations where plumbed water supply is not available.
- Rated for use in general area locations
- Classified by Underwriters Laboratories Inc. to ANSI/ISEA Z358.1.
- Two piece water tank enclosure and steel frame construction for easier installation and maintenance.
- Models designed to National Electric Code
- Frame and tank enclosure design based on International Building Code and ASCE Code
- UL 508A Listed Industrial Control Panel(s) for US and Canada for electrical models.
- Rated for installation indoors or in locations above freezing (32°F/0°C)
- 550 gallon tank provides ANSI/ISEA Z358.1 required 15 minute flush for simultaneous drench shower and eye/face wash activation
- Mechanical water level indicator and thermometer included

Standard Equipment

Safety Shower, Eye/Face Wash

The standard plastic showerhead is specially designed to exceed the flow and wash pattern requirements of ANSI/ISEA Z358.1. The showerhead can be unscrewed for cleaning. Shower is activated by a stainless steel pull rod.

The Halo eye/face wash system offers a high performance rinsing platform that provides rapid relief to an individual's eyes that have been injured by chemicals or particulates. The eye/face wash provides water at a safe velocity while maintaining its effectiveness (exceeds minimum water flow of 3.0 GPM (11.4 L)). The eye/face wash is protected by a full bowl dust cover that activates the unit when it is opened. Eye/face wash sprayheads are made from an impact resistant ABS plastic.

Water Tank and Enclosure

The 550 gallon tank is made of high density polyethylene and surrounded by insulation and a safety yellow painted steel enclosure. An accessible manhole cover is located on top of the water tank. The water tank supplies enough water to provide the ANSI required 15 minute flush for simultaneous drench shower and eye/face wash activation. The 2" thick insulation around the water tank has a factor protection rating of R-10. The top of the tank enclosure is hinged and balanced with gas springs for easy opening.

Integral forklift slots located on the underside of the tank enclosure make initial installation easier. During installation, the tank enclosure is fastened to the steel frame using fasteners. A forklift can also bring the tank enclosure down to ground level if needed for cleaning or maintenance.

Steel Frame

The steel frame is designed to support all components and a full water tank. It is composed of 2" square steel beams with welded joints. It must be secured to a suitable concrete pad using (8) 1/2" diameter anti-corrosion expansion anchors (installer provided). Once properly secured, the steel frame structure is designed to withstand a continuous horizontal wind load of 82 mph. Painted safety yellow to protect against corrosion.

Water Connection

1-1/2" cam lock water connection to fill the tank is available at ground level for safety, and is also more convenient for filling the tank with potable water.

Water Level Indicator

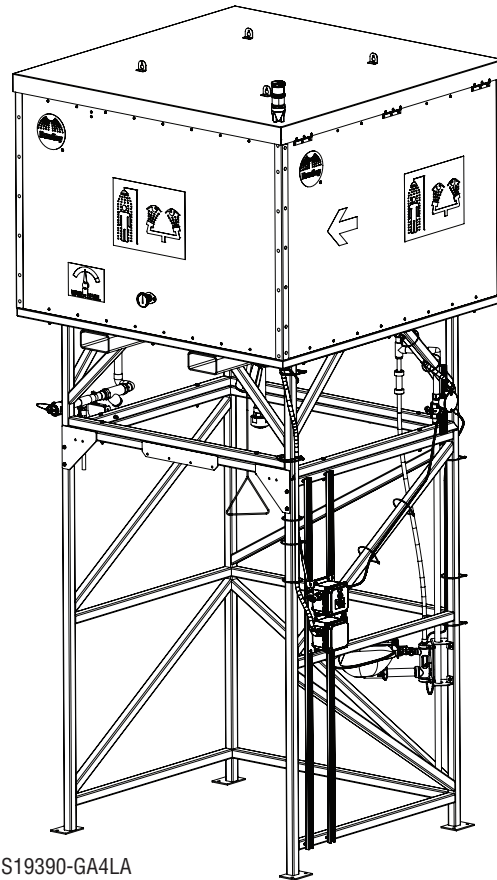
A mechanical float inside the water tank is linked to an exterior water level indicator to easily allow the tank water level to be checked at all times.

Water Temperature Thermometer

A water thermometer is always included on the front exterior wall of the tank to allow for monitoring of the water temperature.

Bowl and Dust Cover

Bowl and dust cover is constructed of yellow impact-resistant plastic.



Model S19390-GA4LA

Code Compliance and Certifications



UL Classified to ANSI/ISEA Z358.1



UL Listed Industrial Control Panel(s) for US and Canada

Designed to the National Electrical Code (NEC/NFPA70)



Bradley Gravity Fed Safety Showers are non-cancelable, non-refundable and non-returnable.

Model

- S19390-GA4L** 240V General Area Gravity Fed Safety Shower with Tank Water Heater and Ceiling Light
- S19390-GA4LA** 240V General Area Gravity Fed Safety Shower with Tank Water Heater, Ceiling Light and Signaling System

© 2018 Bradley

P.O. Box 309, Menomonee Falls, WI 53052-0309
800 BRADLEY (800 272 3539) +1 262 251 6000
bradleycorp.com



S19390-GA4L_GA4LA

General Area Gravity Fed Safety Shower

Tank Water Heater

240V immersion water heater provides tepid water for drench shower and eye/face wash (required in environments where ambient temperature is below the tepid water range). Tank heater includes an adjustable integral thermostat for reliable water temperature control. Water heater will be continuously immersed even when the tank empties; the thermostat will shut the heater off when maximum temperature is reached regardless of tank water depth.

Ceiling Light

S19390-GA4L and S19390-GA4LA have a ceiling mounted vapor sealed light (sustained illumination).

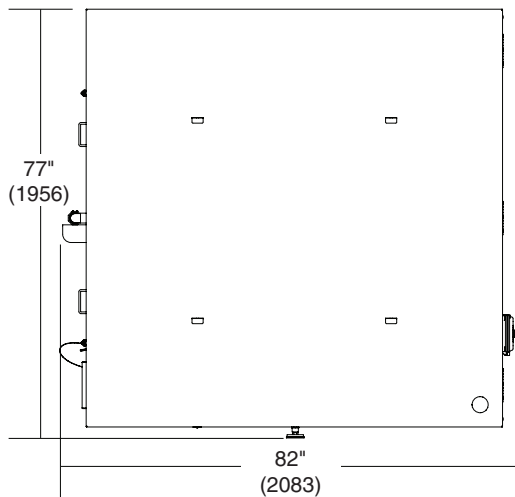
Signaling System (only available on S19390-GA4LA)

The signaling system is mounted to the steel frame and operates from one central control board. It offers several different easy to connect inputs and outputs and allows for a direct connection to a building management system. The integral horn operates at 108 dB at 2 feet to cut through ambient noise. The flashing signal light is available in an amber lens. The steady state beacon light is available in a green lens and provides assistance in finding the location of the safety fixture. The signaling system also features an auto reset/silence switch which can be used to silence the horn during an event while the signal light continues to flash and the water flows.

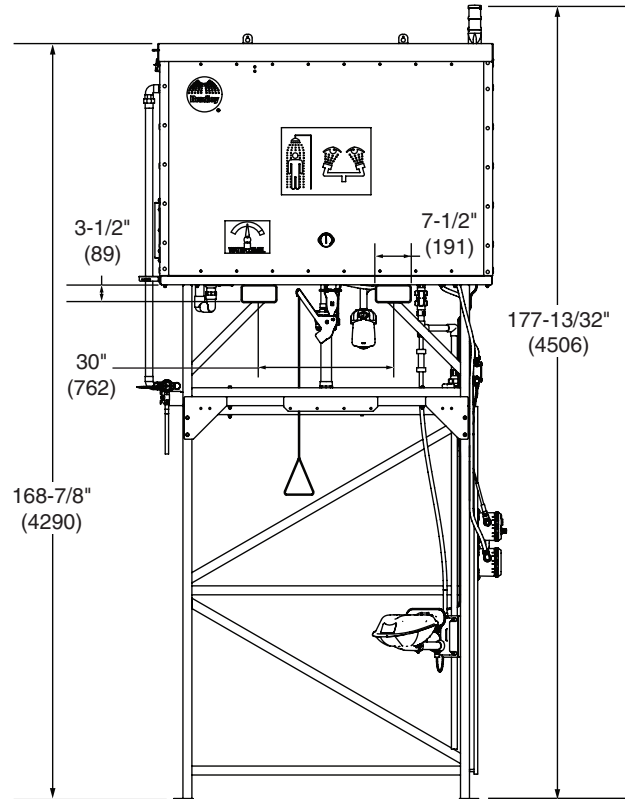
- Customer to provide incoming power with circuit protection
- Only one electrical connection is required.

(mm)

Top View



Front View





S19390-GA4L_GA4LA

General Area Gravity Fed Safety Shower

Left Side View

Right Side View

(mm)

