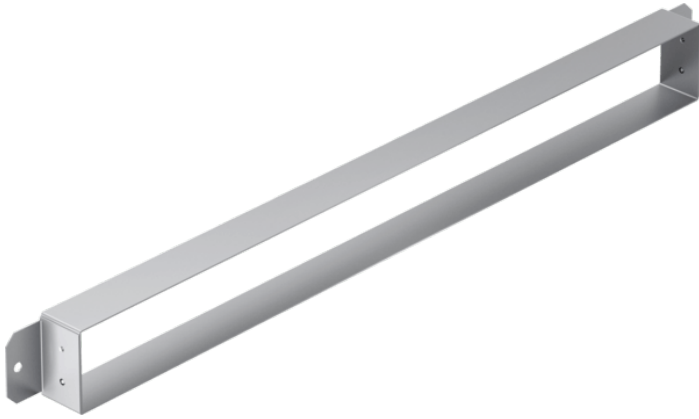


Transition for Rectangular Duct for Downdraft HDDSTRAN2



Features and Benefits

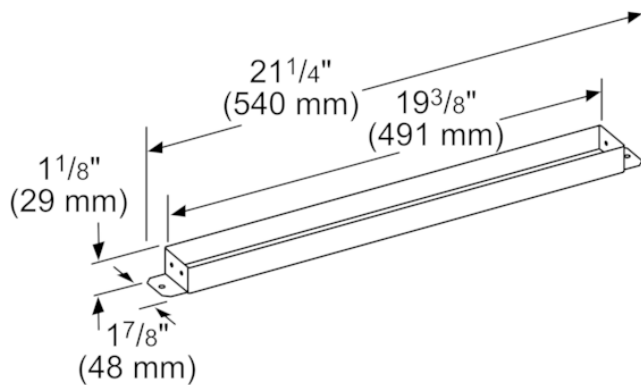


Notes: All height, width and depth dimensions are shown in inches. *Please refer to installation instructions prior to making cutout. BSH reserves the absolute and unrestricted right to change product materials and specifications, at any time, without notice. Consult the product's installation instructions for final dimensional data and other details. Applicable product warranty can be found in a accompanying product literature or you may contact your account manager for further details.

For more information on our entire line of products, go to boschappliances.com or call 1-800-944-2904.
Copyright ©2021 BSH Home Appliances Corporation. All rights reserved. Bosch is a registered trademark of Robert Bosch GmbH.

Litho Date: 01/2021

Transition for Rectangular Duct for Downdraft HDDSTRAN2



measurements in inches (mm)

Features

Accessory	
Brand	Bosch
Product name / series name	
SKU	HDDSTRAN2
Internal article number	000000000011026319
EAN code	4242005051656
Product packaging dimensions (HxWxD) (in)	
	1
	1
Quantity per packing unit	
Standard number of units per pallet	30
UPC code	825225940500
Product image	MCSA02567925_i5914_1930086_HDDSTRAN2_d

Technical Specification

Notes: All height, width and depth dimensions are shown in inches. *Please refer to installation instructions prior to making cutout. BSH reserves the absolute and unrestricted right to change product materials and specifications, at any time, without notice. Consult the product's installation instructions for final dimensional data and other details. Applicable product warranty can be found in a accompanying product literature or you may contact your account manager for further details.

For more information on our entire line of products, go to boschappliances.com or call 1-800-944-2904.

Copyright ©2021 BSH Home Appliances Corporation. All rights reserved. Bosch is a registered trademark of Robert Bosch GmbH.

Litho Date: 01/2021