

# 30" Double Wall Oven

800 Series – Stainless Steel HBL8651UC



**HBL8651UC**  
Stainless Steel

Also available in:

Black HBL8661UC  
Black Stainless Steel HBL8642UC

**The Bosch wall oven installs flush and features a QuietClose® door.**

## Features & Benefits

Dampened hinges softly and quietly guide the QuietClose® door shut.

A full-extension telescopic rack offers safe access to the oven cavity.

Touch control with SteelTouch™ buttons makes operating the oven easier.

The wall oven is designed to be installed flush with cabinetry.

Bosch wall ovens are compatible with most competitors' cutouts.

## General Properties

|  |  |
|--|--|
| Cooking modes – upper cavity             | Bake, Variable Broil (hi & low), Roast, Warm, Sabbath, Proof Dough, Convection Bake, Convection Broil, Convection Roast, Pizza, Multi Rack Genuine European Convection, Convection Conversion, Temperature Probe, Fast Preheat |
| Cooking modes – lower cavity             | Bake, Variable Broil (hi & low), Roast, Warm, Sabbath  |
| Cleaning type – upper & lower cavity     | Self Clean   |
| Telescopic rack                          | 1  |
| Illumination type – upper & lower cavity | Halogen  |
| Interior lights – upper cavity           | 2  |
| Interior lights – lower cavity           | 1  |



## Oven Performance

Bake / Broil element wattages – upper & lower cavity 2,400 / 3,800 W

Convection element wattages – upper cavity 2,000 W

## Technical Details

Watts (W) 8,495 W

Volts (V), Frequency (Hz), Circuit breaker (A) 240 / 208 V, 60 Hz, 40 A

Power cord length (in); Plug type 50"; Fixed connection, no plug

Energy source Electric

## Dimensions & Weight

Overall appliance dimensions (HxWxD)(in) 52 1/16" x 29 3/4" x 24 1/2"

Required cutout size – Standard (HxWxD) (in) 49 3/4" – 51 1/2" x 28 1/2" x 23 1/2"

Required cutout size – Flush (HxWxD) (in) 52 3/16" x 30" x 24 1/2"

Oven cavity size (cu. ft.) 4.6

Overall oven interior dimensions (HxWxD) (in) 17 13/16" x 24 1/8" x 18"

Usable oven interior dimensions (HxWxD) (in) 12 5/16" x 23 1/4" x 15 1/4"

Net weight (lbs) 261 lbs

## Accessories—Included

Included Upper Oven: 1 Telescopic and 2 Standard Oven Racks, Temperature Probe Lower Oven: 2 Standard Oven Racks

## Accessories—Optional



**HEZTR301**  
30" Telescopic Rack

**Accessories:** To purchase Bosch accessories, cleaners & parts please visit [www.bosch-home.com/us/store](http://www.bosch-home.com/us/store) or call 1-800-944-2904 (Mon to Fri 5 am to 6 pm PST, Sat 6 am to 3 pm PST).

**Notes:** All height, width and depth dimensions are shown in inches. BSH reserves the absolute and unrestricted right to change product materials and specifications, at any time, without notice. Consult the product's installation instructions for final dimensional data and other details prior to making cutout.

**Warranties:** Please see Use & Care manual or Bosch website for statement of limited warranty.

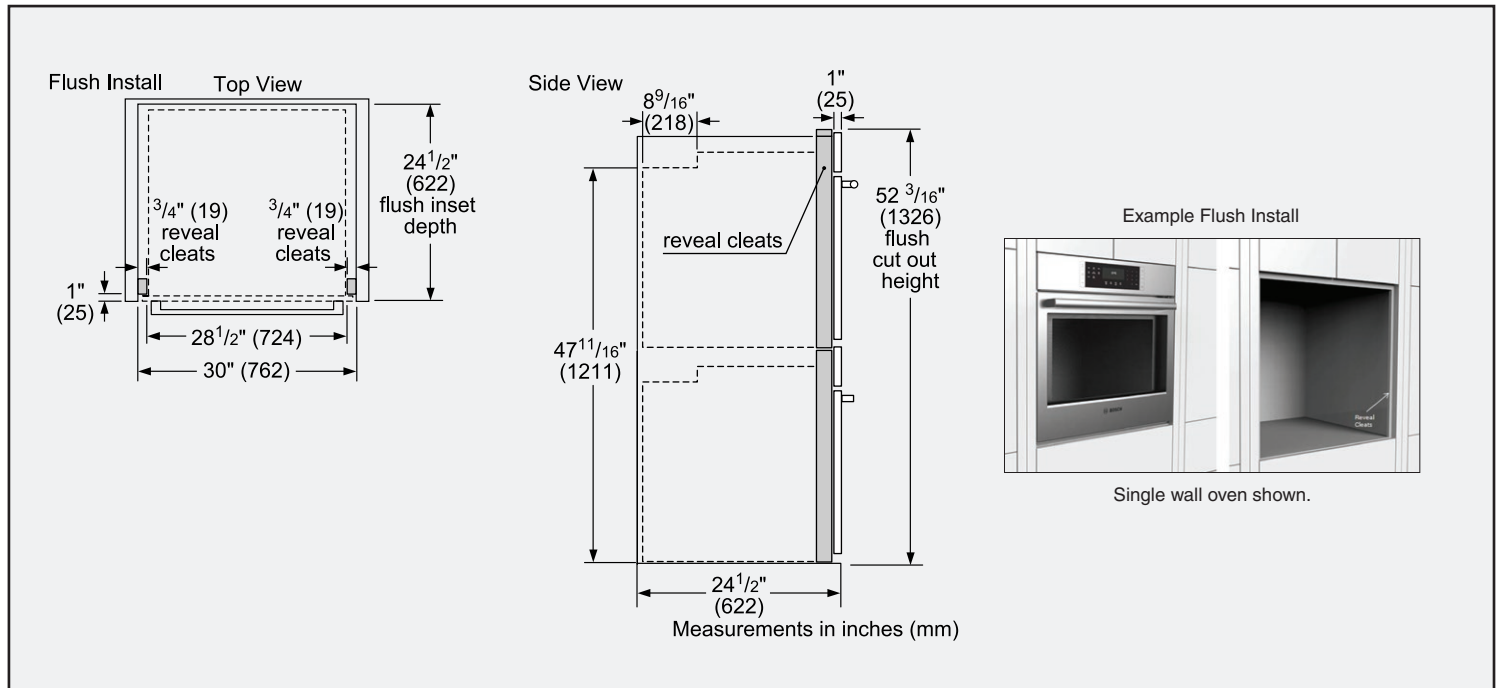
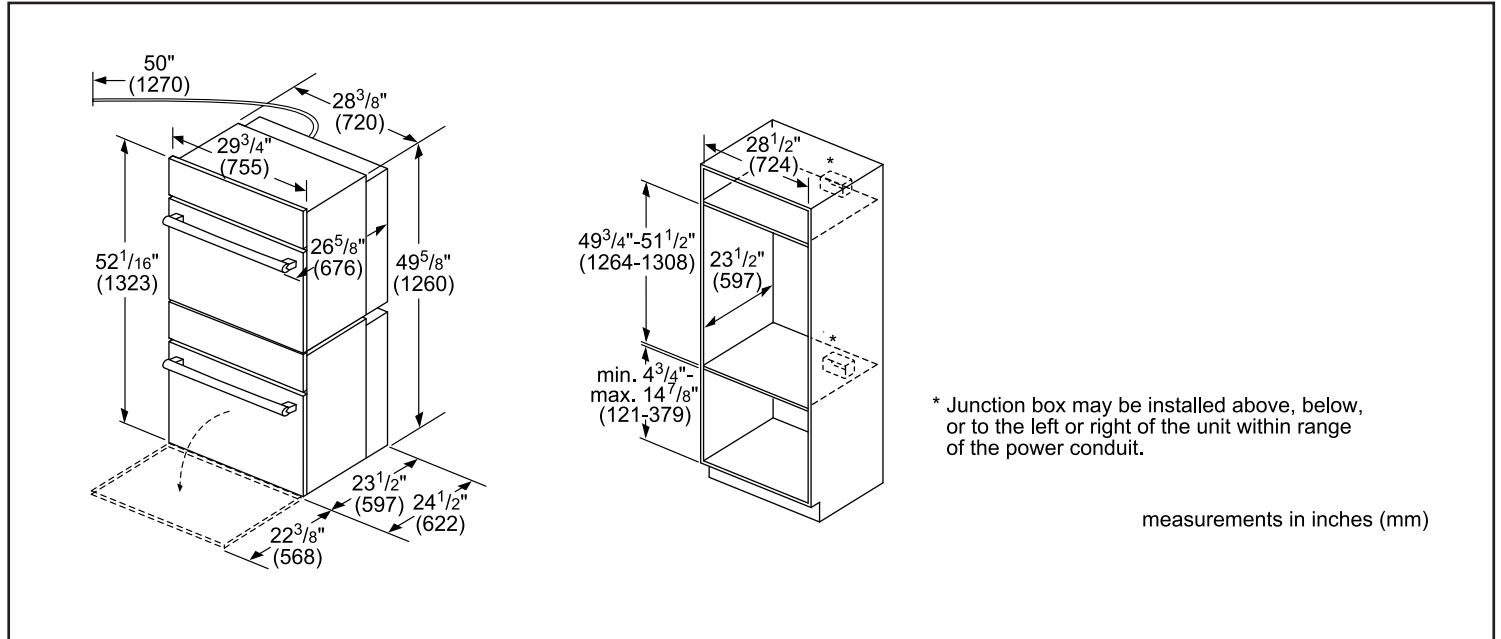
**For more information on our entire line of products, go to [www.bosch-home.com/us](http://www.bosch-home.com/us) or call 1-800-944-2904**

© BSH Home Appliances Corporation. All rights reserved. Bosch is a registered trademark of Robert Bosch GmbH.

# 30" Double Wall Oven

800 Series – Stainless Steel HBL8651UC

## Installation Details



**Accessories:** To purchase Bosch accessories, cleaners & parts please visit [www.bosch-home.com/us/store](http://www.bosch-home.com/us/store) or call 1-800-944-2904 (Mon to Fri 5 am to 6 pm PST, Sat 6 am to 3 pm PST).

**Notes:** All height, width and depth dimensions are shown in inches. BSH reserves the absolute and unrestricted right to change product materials and specifications, at any time, without notice. Consult the product's installation instructions for final dimensional data and other details prior to making cutout.

**Warranties:** Please see Use & Care manual or Bosch website for statement of limited warranty.

**For more information on our entire line of products, go to [www.bosch-home.com/us](http://www.bosch-home.com/us) or call 1-800-944-2904**

© BSH Home Appliances Corporation. All rights reserved. Bosch is a registered trademark of Robert Bosch GmbH.

# 30" Double Wall Oven

800 Series – Stainless Steel HBL8651UC

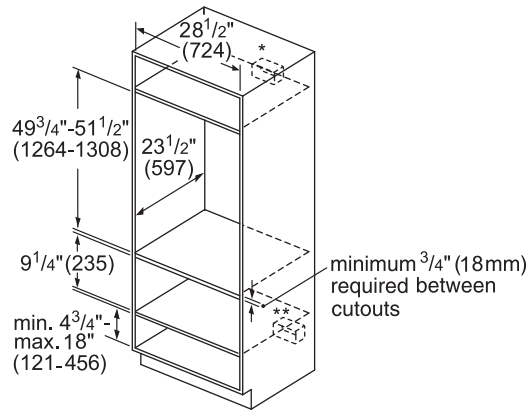


**BOSCH**

Invented for life

## Installation Details

Standard Installation  
30" Double Oven over Storage or Warming Drawer

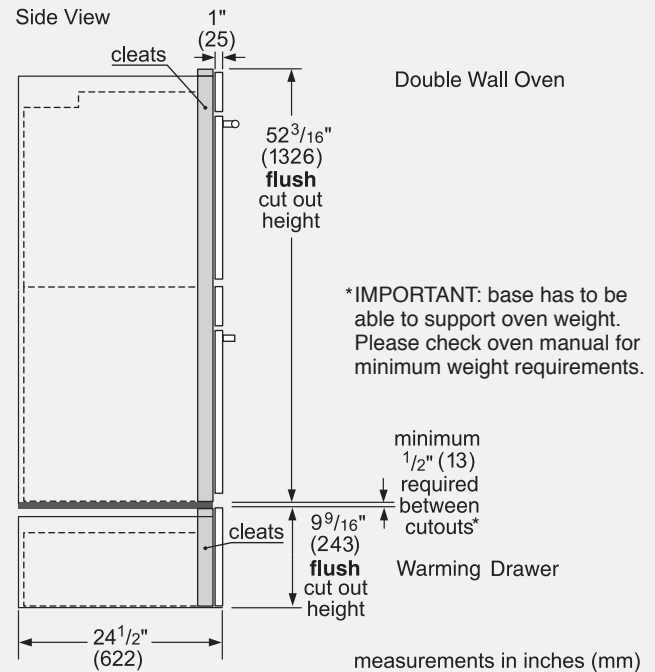


measurements in inches (mm)

\* Wall oven junction box may be located above or right or left of the unit within reach of the power conduit.

\*\* Electrical hook up may be located below (depending on space) or next to the drawer within the reach of the power cord.

Flush Installation  
Double Oven over Storage or Warming Drawer



measurements in inches (mm)

**Accessories:** To purchase Bosch accessories, cleaners & parts please visit [www.bosch-home.com/us/store](http://www.bosch-home.com/us/store) or call 1-800-944-2904 (Mon to Fri 5 am to 6 pm PST, Sat 6 am to 3 pm PST).

**Notes:** All height, width and depth dimensions are shown in inches. BSH reserves the absolute and unrestricted right to change product materials and specifications, at any time, without notice. Consult the product's installation instructions for final dimensional data and other details prior to making cutout.

**Warranties:** Please see Use & Care manual or Bosch website for statement of limited warranty.

**For more information on our entire line of products, go to [www.bosch-home.com/us](http://www.bosch-home.com/us) or call 1-800-944-2904**

© BSH Home Appliances Corporation. All rights reserved. Bosch is a registered trademark of Robert Bosch GmbH.