

**PRODUCT SPECIFICATIONS**

Fontemagna Compact Countertop Water Dispenser 20 GPH Filtered Stainless Steel. Features shall include Ambient Water, Cold Water, Energy Savings, Sparkling Water, Filtered, Touch Screen, UV Light. Electronic touch pad controls. Product shall be Countertop mounted/Freestanding.

<b>Special Features:</b>	Ambient Water, Cold Water, Energy Savings, Sparkling Water, Filtered, Touch Screen, UV Light
<b>Model Type:</b>	Countertop
<b>Material:</b>	Stainless Steel
<b>Dimensions (L x W x H):</b>	18" x 23" x 20"
<b>Approx. Shipping Weight:</b>	117 lbs.
<b>Cold Water Temperature Range:</b>	37° F – 50° F
<b>Cooling Capacity:</b>	20.0 GPH (80 liters/hour)
<b>Cooling Technology:</b>	
<b>Refrigerant Gas:</b>	R134a
<b>Condensation Control:</b>	Forced ventilation (fan)
<b>Inlet Water Line:</b>	3/8, PE plastic tubing
<b>Electrical:</b>	115V/60Hz
<b>Power Consumption:</b>	330 W
<b>Working Room Temperature:</b>	Min 41° F – Max 107° F
<b>Filter Capacity:</b>	6000 gallons or 6 months
*Based on 68° F inlet water & 77° F ambient air temp for 50° F chilled drinking water.	

- Three water dispensing options: ambient water, cold water, and sparkling water.
- Filter is certified to NSF 42 for particulate, chlorine, taste, and odor reduction.
- UV Light prohibits bacterial growth on dispense nozzle.
- Energy-Savings mode reduces energy consumption by up to 75%.
- CO<sub>2</sub> and H<sub>2</sub>O display alarms.
- Internal ice bank and adjustable thermostat.
- Drip tray: no drain line required.
- Customizable portion control presets at 7 oz. and 34 oz.

**INSTALLATION KIT**

- Installation and Operating instructions
- CO<sub>2</sub> Regulator
- Water Pressure Regulator
- Elkay WaterSentry® Filter and Mounting Bracket
- Additional tubing for connection to water and CO<sub>2</sub>
- Requires fittings for connection to water supply

PART: \_\_\_\_\_ QTY: \_\_\_\_\_

PROJECT: \_\_\_\_\_

CONTACT: \_\_\_\_\_

DATE: \_\_\_\_\_

NOTES: \_\_\_\_\_

APPROVAL: \_\_\_\_\_



AMERICAN PRIDE. A LIFETIME TRADITION. Like your family, the Elkay family has values and traditions that endure. For almost a century, Elkay has been a family-owned and operated company, providing thousands of jobs that support our families and communities.

**Included with Product:** Installation Kit

▼ Ships in multiple boxes.

**PRODUCT COMPLIANCE**

CAN/CSA C22.2 No. 120

GreenSpec®

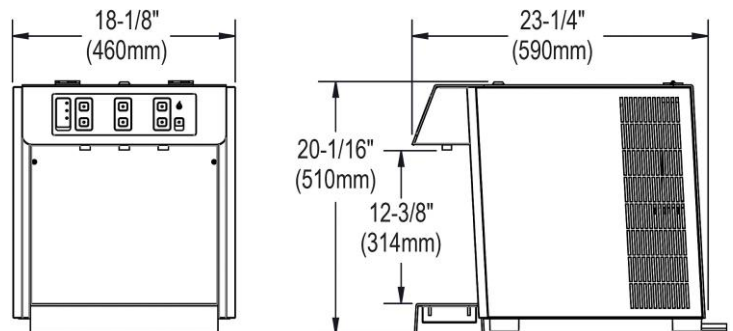
NSF/ANSI 42

UL 399



[Installation Instructions \(PDF\)](#)

[Warranty \(PDF\)](#)



**OPTIONAL ACCESSORIES**

WSF6000R-2PK - WaterSentry Fresh 6000 CTO Filter - Replacement (2pack)

*In keeping with our policy of continuing product improvement, Elkay reserves the right to change product specifications without notice. Please visit elkay.com for the most current version of Elkay product specification sheets. This specification describes an Elkay product with design, quality, and functional benefits to the user. When making a comparison of other producers' offerings, be certain these features are not overlooked.*