

PRODUCT SPECIFICATIONS

Elkay Scrub/Handwash 8" Centerset Wall Mount Faucet w/4"
Gooseneck Spout 6" Wristblade Handle 1/2 Offset Inlets+Stop.
Faucet has a flow rate of 1.5 GPM, and is made of Chrome-plated
Brass material, with a Quarter Turn Ceramic Disc valve. Faucet
requires 2 faucet holes.

| | |
|----------------------------|--|
| Mounting Type: | Wall Mount |
| Special Features: | Low Flow Solid Brass Construction Spout Swing Restriction Pin 1/2" Adjustable Inlets with Integral Stops |
| Finish: | Chrome (CR) |
| Handle Type: | 6" Wristblade Handle |
| Deck Clearance: | 6-5/8" |
| Spout Reach: | 3-5/8" |
| Spout Height: | 9-3/16" |
| Hole Drillings: | 2 |
| Material: | Chrome-plated Brass |
| Valve Type: | Quarter Turn Ceramic Disc |
| Valve Connection: | ShutOff Valve 1/2" NPT FM Inlt |
| Flow Rate: | 1.5 GPM |
| Faucet Hole Spread: | 8 |
| Spout Type: | Gooseneck |

Special Note: 1.5 GPM VR aerator installed with 2.2 and .5 GPM
inserts included



Chrome
(CR)



Included with Product: Shut-off

AMERICAN PRIDE. A LIFETIME TRADITION.
Like your family, the Elkay family has values and traditions that
endure. For almost a century, Elkay has been a family-owned and
operated company, providing thousands of jobs that support our
families and communities.

Product Compliance: ADA & ICC A117.1
ASME A112.18.1/CSA B125.1
NSF 61
NSF 372 (lead free)



Complies with ADA & ICC A117.1 accessibility requirements
when installed according to the requirements outlined in these
standards.

[Clean and Care Manual \(PDF\)](#)

[Installation Instructions \(PDF\)](#)

[Limited Warranty \(PDF\)](#)

PART: _____ QTY: _____

PROJECT: _____

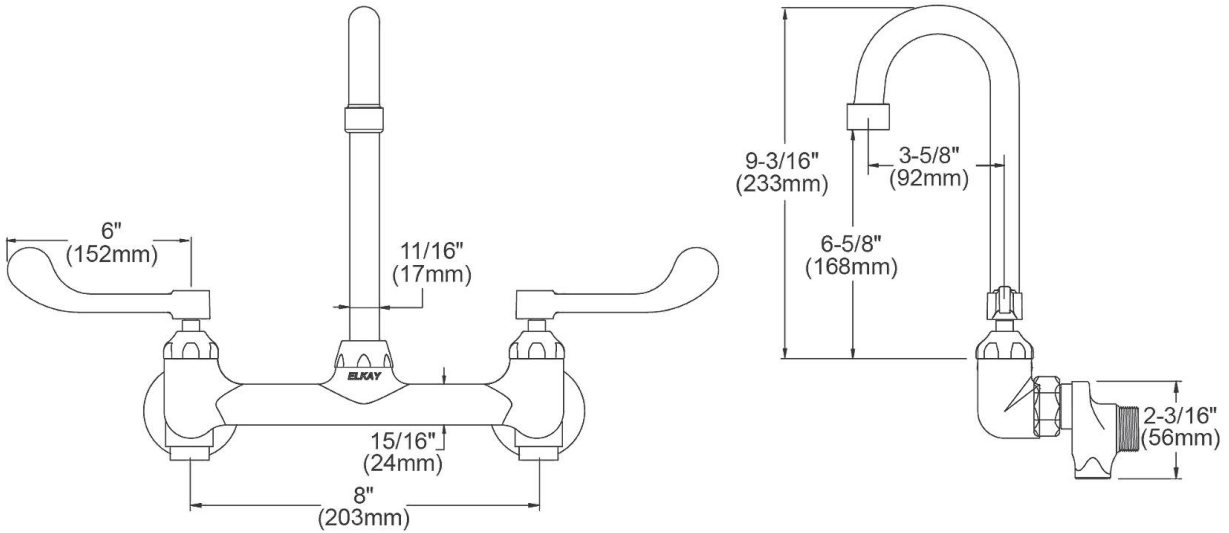
CONTACT: _____

DATE: _____

NOTES: _____

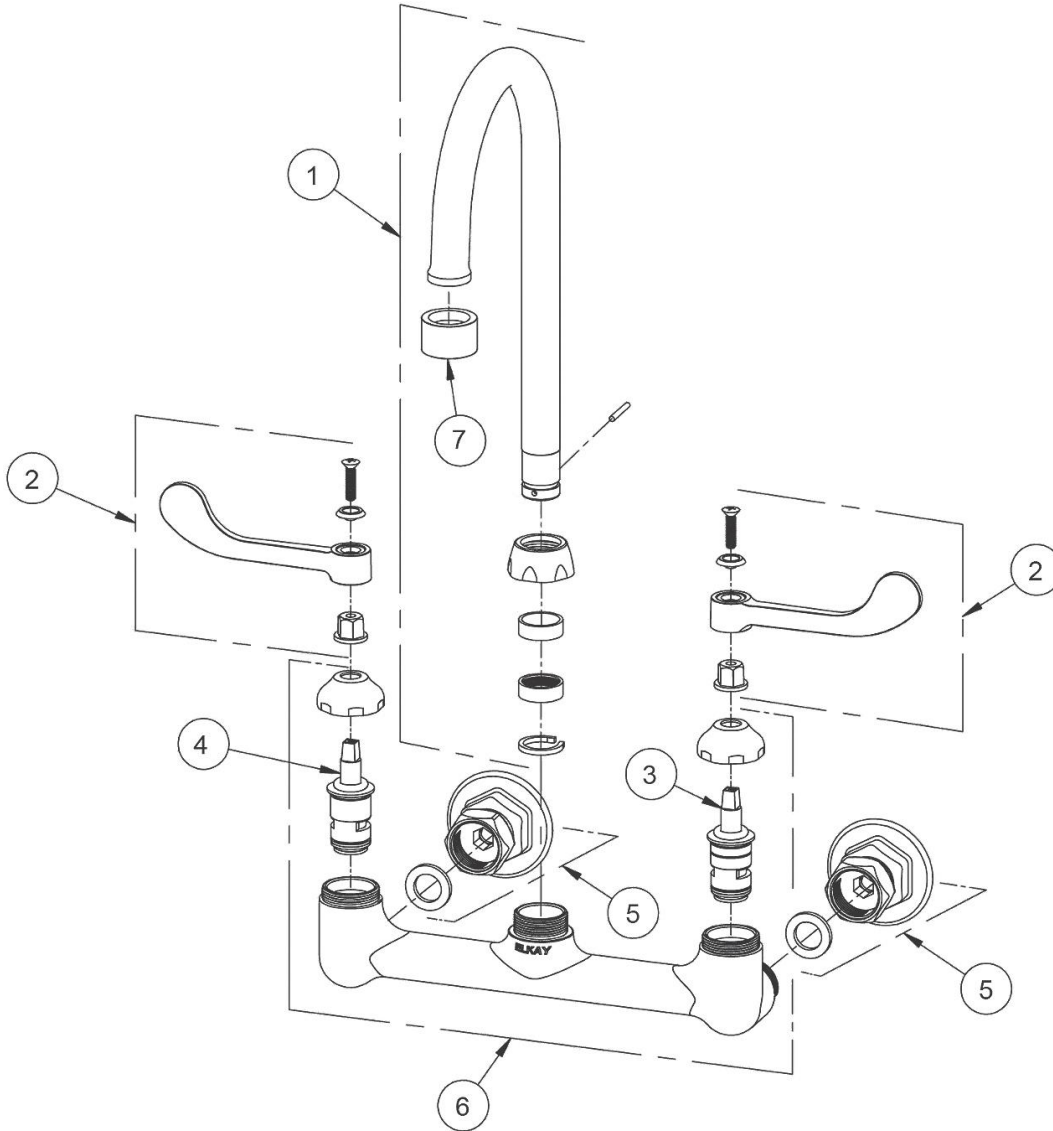
APPROVAL: _____

In keeping with our policy of continuing product improvement, Elkay reserves the right to change product specifications without notice. Please visit elkay.com for the most current version of Elkay product specification sheets. This specification describes an Elkay product with design, quality, and functional benefits to the user. When making a comparison of other producers' offerings, be certain these features are not overlooked.



In keeping with our policy of continuing product improvement, Elkay reserves the right to change product specifications without notice. Please visit elkay.com for the most current version of Elkay product specification sheets. This specification describes an Elkay product with design, quality, and functional benefits to the user. When making a comparison of other producers' offerings, be certain these features are not overlooked.

| ITEM | IND. PART | DESCRIPTION |
|------|-----------|----------------------|
| 1 | A55397 | Spout |
| 2 | 45920C | Handle, 6" |
| 3 | 45923C | Right Cold Cartridge |
| 4 | 45924C | Left Hot Cartridge |
| 5 | A55414 | 1/2" Offset Shutoff |
| 6 | 45912C | Body |
| 7 | LK734 | 2.2 GPM VR Aerator |



In keeping with our policy of continuing product improvement, Elkay reserves the right to change product specifications without notice. Please visit elkay.com for the most current version of Elkay product specification sheets. This specification describes an Elkay product with design, quality, and functional benefits to the user. When making a comparison of other producers' offerings, be certain these features are not overlooked.