

Induction Range 30"

Series 9 | Contemporary

Stainless Steel

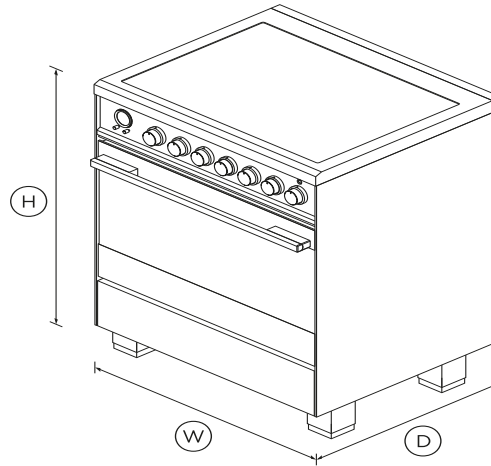


You'll love the instant response induction cooktop with multi-function oven, perfect for making a roast, baking bread and more.

- Four instant-response, cool-to-touch induction cooking zones
- Convection oven with 3.5 cu. ft total capacity and nine oven functions including
- Non-tip full-extension shelves for safe removal of hot dishes
- High-temperature self-cleaning function breaks down food residue for an easy clean

DIMENSIONS

Height	35 ³ / ₄ - 37 ⁵ / ₈ "
Width	29 ⁷ / ₈ "
Depth	25 ¹ / ₄ "



FEATURES & BENEFITS

Multi-shelf cooking

Our AeroTech™ system circulates air evenly throughout the entire oven so dishes on the top shelf turn out just as perfect as food cooking on the bottom shelf.

Quality and durability

Every detail has been carefully crafted. The solid, perfectly balanced soft-close door, durable cooktop and glowing halo dials all add up to an exceptional, premium range.

Power & control

Instant and immediate control from the highest to the gentlest heat. The finely tuned cooktop controls let you sear, stir fry or simmer a delicate sauce to perfection.

Easy to clean

Cleaning up spills is effortless. Your cooktop simply needs a quick wipe to keep it looking good as new. The self-clean function breaks down food residue at a very high temperature, leaving a light ash that's easily removed with a damp cloth.

Even heat

Accurate, electronically-controlled oven heat ensures a great result every time.

Large capacity oven

The generous 3.5 cu.ft total capacity oven gives you plenty of space to cook multiple dishes at once, with enough room to fit a 26 lb turkey.

SPECIFICATIONS

Accessories

2-pc grill system (Broil pan and	•
Broil pan	•
Hob rear trim (optional)	3 1/8" (part 81656)
Kick strip, stainless steel	Part 81660

Capacity

Total capacity	3.5 cu ft
----------------	-----------

Cleaning

Acid resistant graphite enamel	•
Drop down grill element	•
Flat easy clean glass surface	•
Pyrolytic proof shelf runners	•
Pyrolytic self-clean	•
Removable oven door	•
Removable shelf runners	•

Controls

- Audio feedback
- Automatic cooking/minute
- Automatic pre-set
- Celsius/Fahrenheit
- Electronic clock
- High resolution display
- Interior light
- Laser etched graphics
- Precise electronic temperature
- Sabbath mode
- Toughened fused glass
- Turned stainless steel clock
- Turned stainless steel dials

Oven features

- AeroTech™ technology
- Automatic rapid pre-heat
- Concealed element
- Electronic oven control
- Full extension telescopic **2 sets (part 578776)**
- Internal light **2 x 25W halogen (rear)**
- Pyrolytic proof shelf runners
- Self-cleaning
- Soft open/close door
- True convection

Oven functions

- Aero Bake

- Aero™ Pastry with Pizza mode
- Maxi Broil
- Number of functions **9**
- Rapid proof
- Roast

Oven performance

- Combined warming/Storage **220W**
- CoolTouch door **Triple glazed**
- Warming drawer power **220W**

Power requirements

- Amperage **51A (Recommended Electrical)**
- Supply frequency **60Hz**
- Supply voltage **120 - 240V**

Product dimensions

- Depth **25 1/4 "**
- Height **35 3/4 - 37 5/8 "**
- Installation cutout dimensions **25 1/4 "**
- Installation cutout dimensions **30 "**
- Width **29 7/8 "**

Rangetop features

- Auto heat reduce
- Gentle heat **2 settings (108°F & 149°F)**
- Heat settings **9**
- Induction cooking technology
- PowerBoost

Rangetop Performance

- Left front zone rating **1850W/3000W**
- Left rear zone rating **1850W/3000W**
- Number of cooking zones **4**
- Right front zone rating **1400W/2200W**
- Right rear zone rating **2300W/3700W**

Safety

- Advanced cooling system
- Anti-tilt bracket
- Balanced oven door
- Catalytic venting system
- Child lock
- CoolTouch door
- Full extension telescopic
- Non-tip shelves
- Pan detection system
- Safety time out
- Spill containment **1/8 gallon**
- Spillage auto off
- Surface hot indicators

Warranty

- Parts and labor **2 years**

SKU 81722

TEST The product dimensions and specifications in this page apply to the specific

product and model. Under our policy of continuous improvement, these dimensions and specifications may change at any time. You should therefore check with Fisher & Paykel's Customer Care Centre to ensure this page correctly describes the model currently available. ? Fisher & Paykel Appliances Ltd 2020

Other product downloads available at fisherpaykel.com



User Guide



Service & Warranty Booklet



Installation Guide



Resources (zip)



A PEACE OF MIND SALE

24 Hours 7 Days a Week Customer Support

T 1.888.936.7872 W www.fisherpaykel.com