

### SPECIFICATIONS



#### Features/Benefits

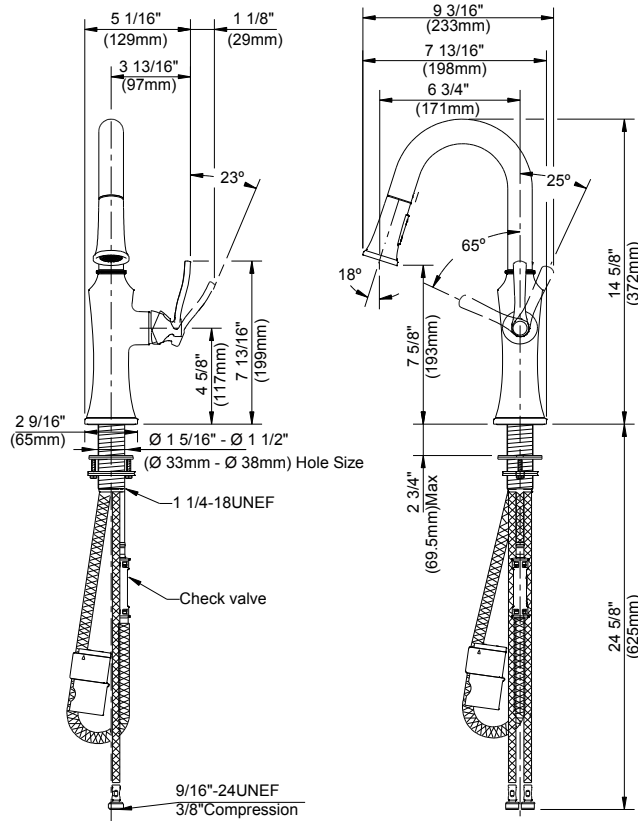
- SnapBack® Retraction System
- Easily Adjustable GripLock® Weight
- 14 5/8" Spout Height, 6 3/4" Spout Reach
- 1.75gpm (6.6 L/min) Standard Using GA568023N Spray Head
  - 1.5 gpm (5.7 L/min) When Used with GA56802350N Spray Head
- 2 Function Spray / Aerated Stream
- Ceramic Disc Cartridge
- 360 Degree Swivel Spout
- Single Hole Installation
- Optional Deck Plate, DA667229 (4") or DA665051 (8"), Sold Separately

#### Available Color/Finishes

Chrome

Please see [gerberonline.com](http://gerberonline.com) or current price list for available finishes. Finish is defined by additional suffix.

#### Standards & Certifications



#### Submittal Information:

Name: \_\_\_\_\_  
Location: \_\_\_\_\_

Contractor: \_\_\_\_\_  
Contact #: \_\_\_\_\_