

## SPECIFICATIONS

### SHOWER ACCESSORIES

#### Finishes Available

- Chrome
- Other: Refer to Price List for additional finish

#### Standards



- UPC/cUPC

#### Warranty

Danze products are covered by a manufacturer's limited "lifetime" warranty for manufacturing defects.



D469020 - All Metal Interlock Hose

#### Description

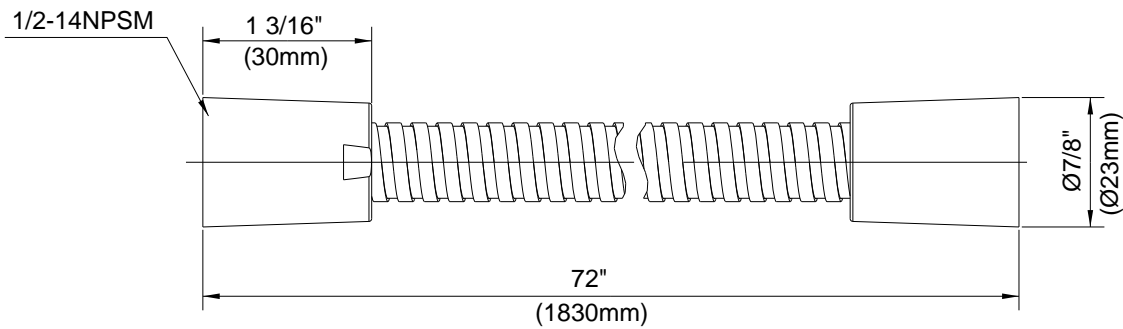
- 72" Interlock metal shower hose with brass conicals



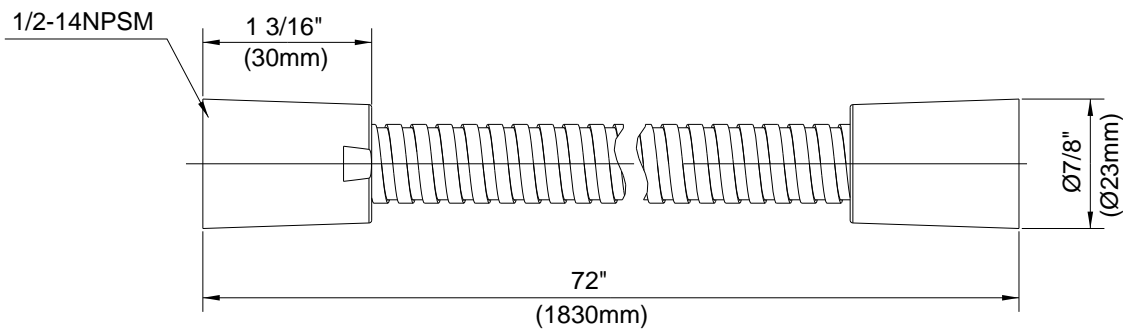
D469030 - M-Flex Shower Hose

#### Description

- 72" M-Flex shower hose with brass conicals



**D469020**



**D469030**

Submittal Information:

Job Name: \_\_\_\_\_

Location: \_\_\_\_\_

Contractor: \_\_\_\_\_

Contact #: \_\_\_\_\_