



GERBER

40-024 Series

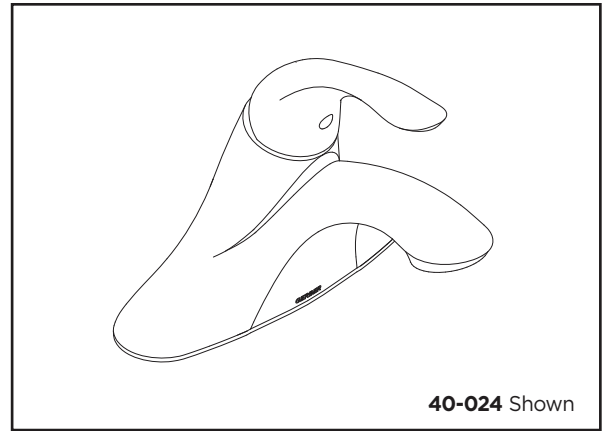
Viper™

Single Handle Lavatory Faucet



Features:

- 3 hole installation
- Ceramic disc cartridge GA507906N
- Includes metal touch down drain GA505918 with color-matching cap and chrome plated tailpiece
- 4" center to center installation range
- Chrome, brushed nickel and tumbled bronze finish
- 1.2 gpm (4.5 L/min) maximum aerator GA50096654N @ 60 psi
- Lead free waterway per NSF/ANSI 372
- Fully ADA compliant
- Limited lifetime warranty
- Meets CEC requirements



Standards & Certifications:

- ASME A112.18.1M
- NSF/ANSI 372
- IAPMO/cUPC
- ICC/ANSI A117.1
- Mass Code
- EPA/WaterSense

Catalog Numbers:

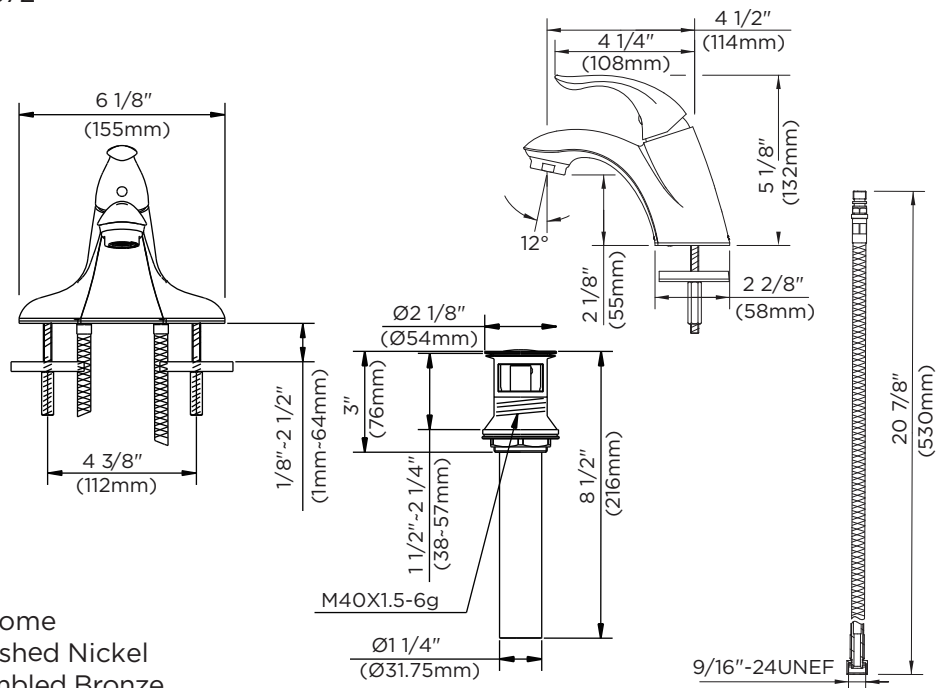
- 40-024** Metal touch down, Chrome
- 40-024-BN** Metal touch down, Brushed Nickel
- 40-024-BR** Metal touch down, Tumbled Bronze

Prefixes Available:

None

Suffixes Available:

- BN Brushed Nickel
- BR Tumbled Bronze



Job Name	
Date	
Model Specified	
Quantity	
Customer	
Contractor	
Architect/engineer	

Gerber Toll Free Technical Support: 1-888-648-6466
www.gerberonline.com