



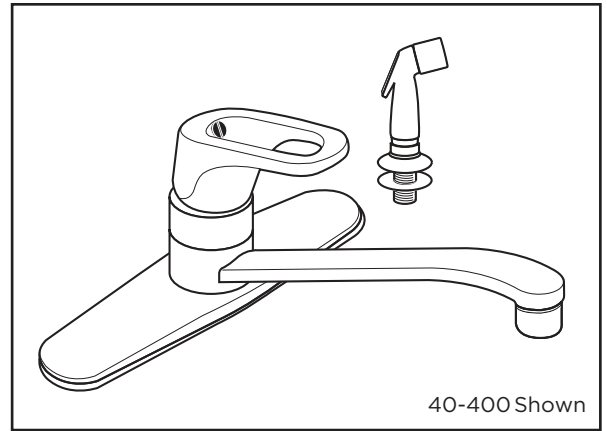
GERBER

40-100 Series Hardwater® Single Handle Kitchen Faucet



Features:

- 3 hole installation
- Ceramic disc cartridge, G0092298, w/temp limit stop
- Working parts can be easily replaced
- Exposed parts have heavy chrome plated finish
- 2.2 gpm (8.3 L/min) maximum aerator G0093119 @ 60 psi
- Supplied with 1/4" nominal copper tubes and 1/2" I.P.S. compression adapters
- Brass escutcheon plate
- Loop handle
- Lead free waterways per NSF/ANSI 372
- Fully ADA compliant
- Limited lifetime warranty

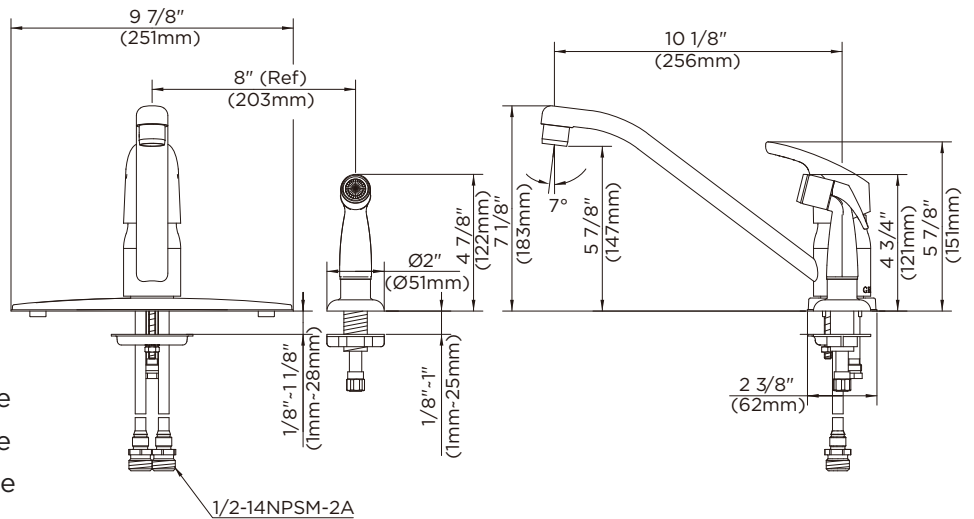


Standards & Certifications:

- ASME A112.18.1M
- NSF/ANSI 372
- IAPMO/cUPC
- ICC/ANSI A117.1
- MASS Code

Catalog Numbers:

- 40-100** Less Spray, Chrome
- 40-100-50** Less Spray, Chrome
- 40-400** With Spray, Chrome
- 40-400-50** With Spray, Chrome



Prefixes Available:

None

Suffixes Available

-50 1/2" soldered male adapters on copper

Job Name	
Date	
Model Specified	
Quantity	
Customer	
Contractor	
Architect/engineer	

Gerber Toll Free Technical Support: 888-648-6466
www.gerberonline.com