

# JVX3300DJ

## GE Appliances 30" Under the Cabinet Hood

### DIMENSIONS AND INSTALLATION INFORMATION (IN INCHES)

WB02X11537 replacement grease filter and JXCF53 replacement charcoal filter are available for additional cost. Call toll-free 800.626.2000.

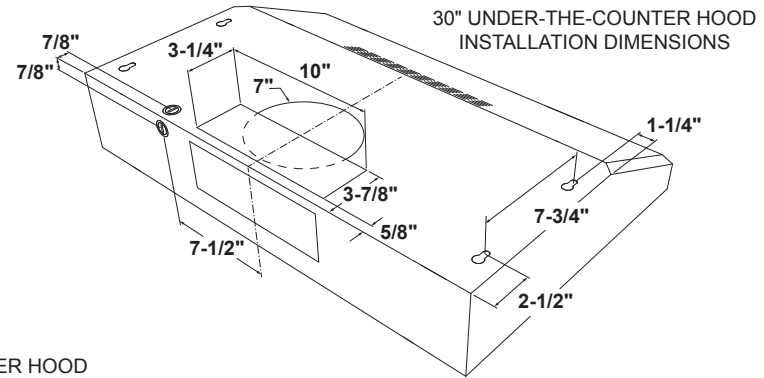
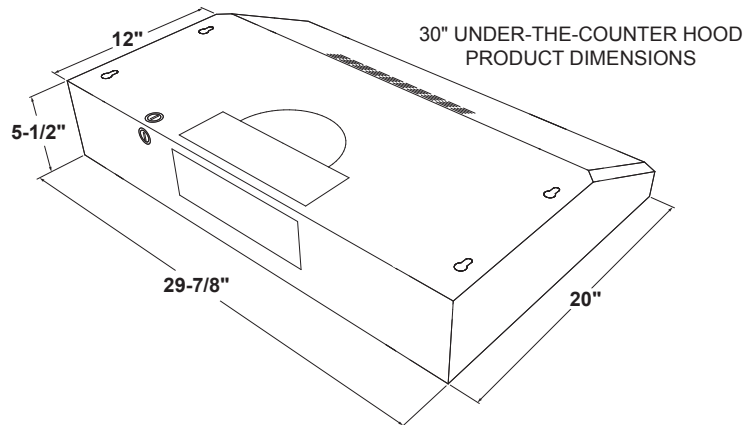
**Installation Information:** Before installing, consult installation instructions, packed with product, for current dimensional data.

**Additional accessories:**

JXS50SS 15" cabinet spacer

JXDA22 optional damper

AMP RATING	
120V	2.5



Exhaust outlet connects to 3-1/4" x 10" rectangular duct. Vent top or rear. Includes rectangular damper.



For answers to your Monogram, GE Café™ Series, GE Profile™ Series or GE Appliances product questions, visit our website at [geappliances.com](http://geappliances.com) or call GE Answer Center® Service, 800.626.2000.



Listed by Underwriters Laboratories



Specification Revised 10/16

# JVX3300DJ

## *GE Appliances 30" Under the Cabinet Hood*

### **FEATURES AND BENEFITS**

Easy installation – 10 minutes or less by one person

Two-speed, 200-CFM venting system – Removes smoke, grease, odors and moisture

Front controls – Enjoy easy access and a subtle appearance

Cooktop lighting – Illuminate cooking space and surrounding surface

Convertible venting options – Select recirculating or external venting

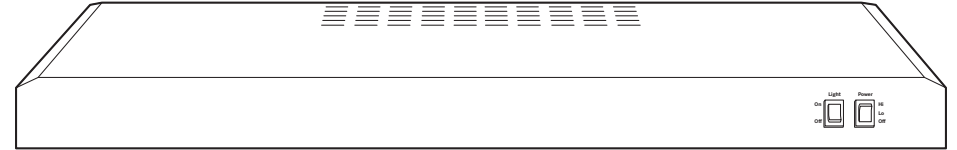
Vertical and rear exhaust – Exhausts from the top or rear of the hood

Appearance (Partially enclosed bottom) – Enjoy easy access to hood interior

Dishwasher safe filter – Filters grease and is dishwasher-safe

Model JVX3300DJWW – White on white

Model JVX3300DJBB – Black on black



<b>CFM/SONES RATINGS</b>	
Exhaust High Speed (HS)	200/6.5
Exhaust Low Speed (LS)	130/5.0

