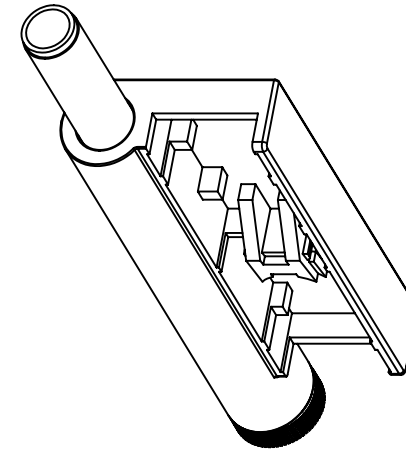
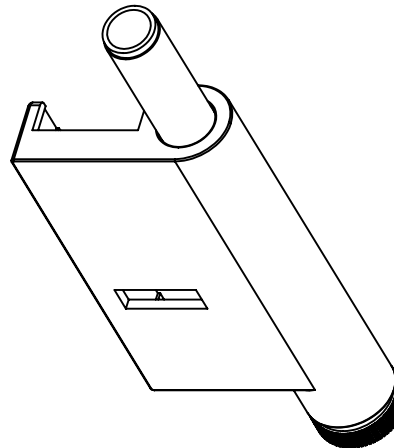
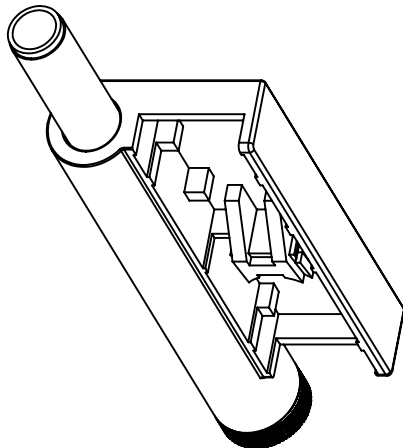
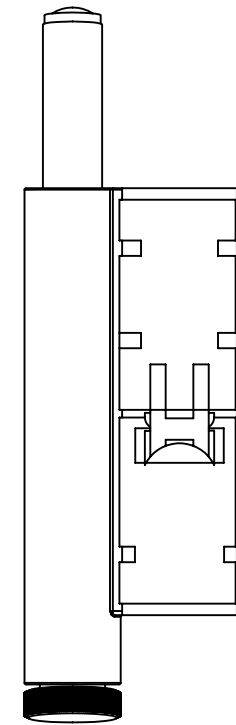
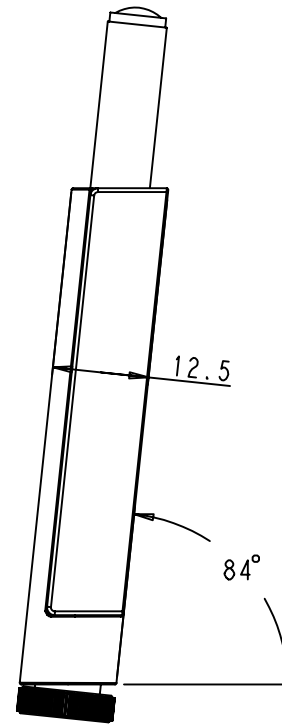
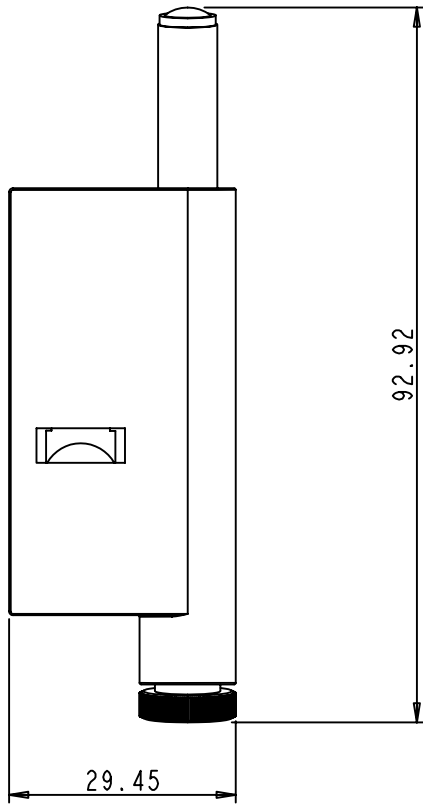



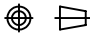
EXPLODED STATUS

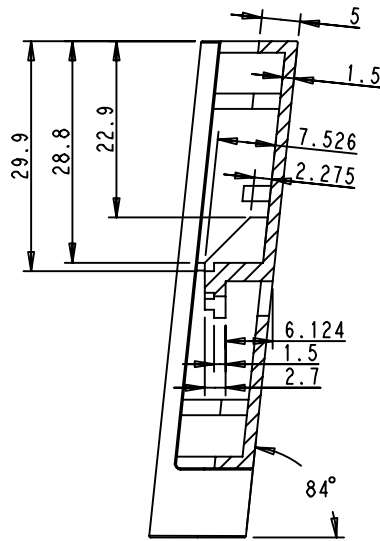
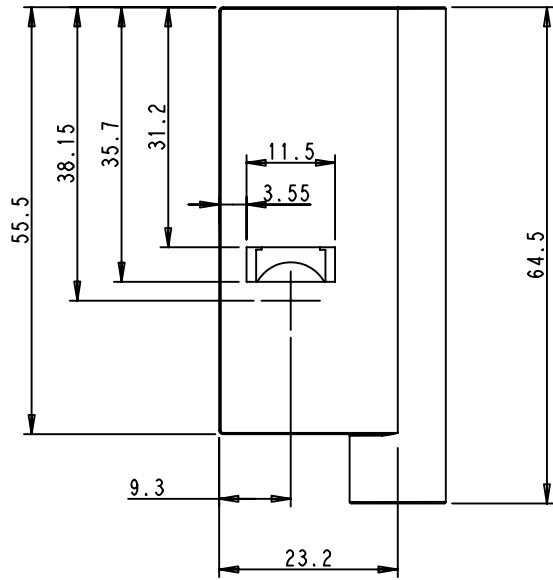


ASSEMBLY STATUS

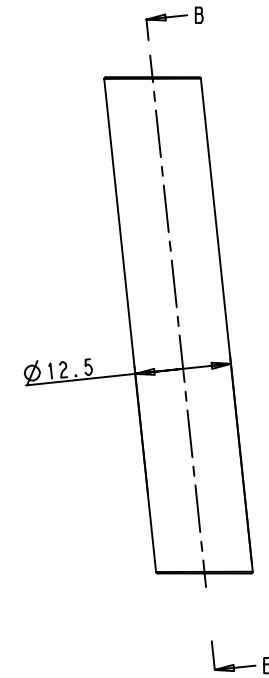
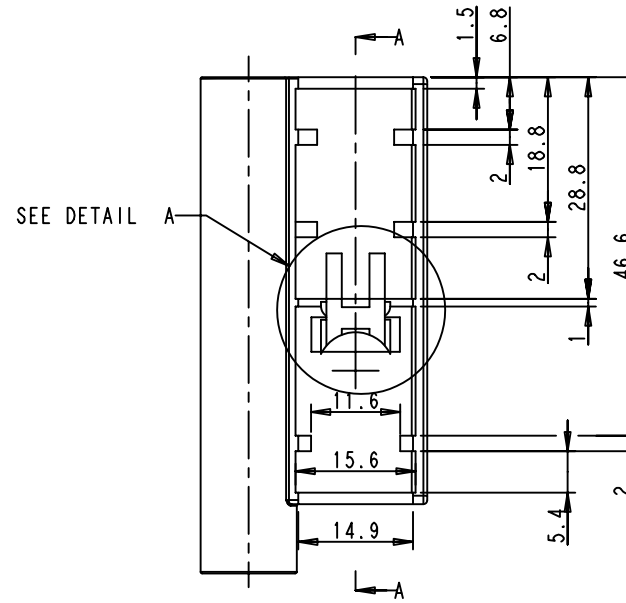
3	SOFT_CLOSE_SCREW	ABS	1	1.50	1.50	PART	1
2	SOLFT_CLOSE_PLUNGER	ASSEMBLY	1	3.50	3.50	PART	1
1	500_0U86_05_SC_FH	ABS	1	7.60	7.60	PART	1
NO.	ITEM#	MATERIAL	QTY	UNIT	TOTLE	TYPE	ASSY LEVEL
				WEIGHT			
HARDWARE HR 4319 MARLENA ST, BOSSIER CITY, LA71111 RESOURCES PROPRIETARY AND CONFIDENTIAL THE INFORMATION CONTAINED IN THIS DRAWING IS THE SOLE PROPERTY OF HARDWARE RESOURCES INC. ANY REPRODUCTION IN PART OR AS A WHOLE WITHOUT THE WRITTEN PERMISSION OF HARDWARE RESOURCES INC. IS PROHIBITED.		ITEM#: 500_SC FINISH:		MATERIAL: WEIGHT: 9 PROJECTION:		TOLERANCE UNLESS OTHERWISE SPECIFIED: X: MM ±0.20 X.X: MM ±0.10 X.XX: MM ±0.05 ANGULAR: ±0.5° DO NOT SCALE DRAWING	
UNIT: MM SIZE: A4 SHEET 1 OF 2				DRAWN BY: <i>alan.tsu</i> CHECKED BY: APPROVED BY:		DATE: DATE: DATE:	



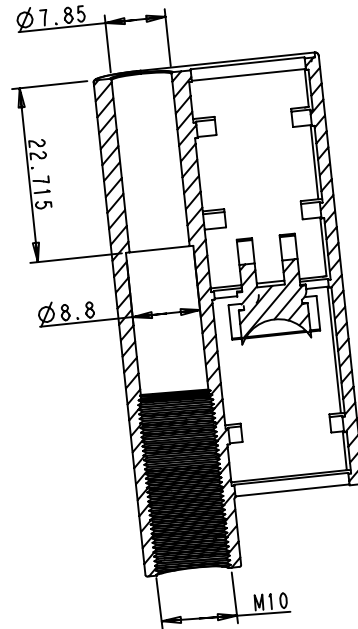
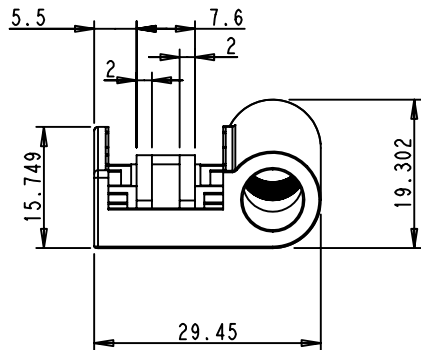
HARDWARE  4319 MARLENA ST, BOSSIER CITY, LA 71111 RESOURCES	ITEM#: 500_SC	MATERIAL:		
	FINISH:	WEIGHT: g		
PROPRIETARY AND CONFIDENTIAL	PROJECTION: 			
THE INFORMATION CONTAINED IN THIS DRAWING IS THE SOLE PROPERTY OF HARDWARE RESOURCES INC. ANY REPRODUCTION IN PART OR AS A WHOLE WITHOUT THE WRITTEN PERMISSION OF HARDWARE RESOURCES INC. IS PROHIBITED.	TOLERANCE UNLESS OTHERWISE SPECIFIED: X: MM ±0.20 X.X: MM ±0.10 X.XX: MM ±0.05 ANGULAR: ±0.5° DO NOT SCALE DRAWING	UNIT: MM	DRAWN BY: <i>alan.bui</i>	DATE:
		SIZE: A4	CHECKED BY:	DATE:
		SHEET 2 OF 2	APPROVED BY:	DATE:



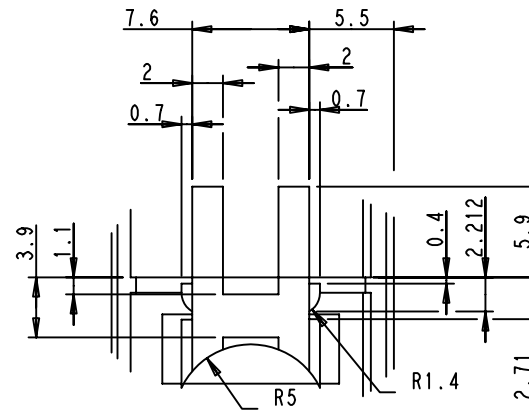
SECTION A-A



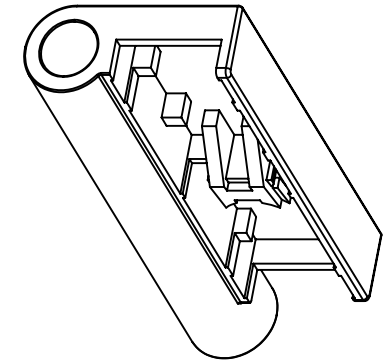
B



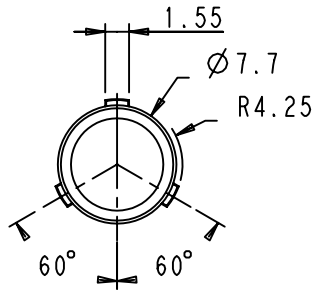
SECTION B-B



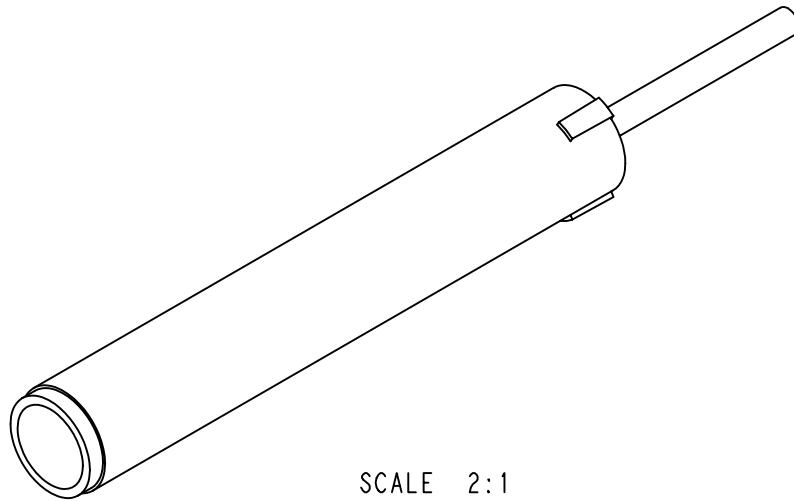
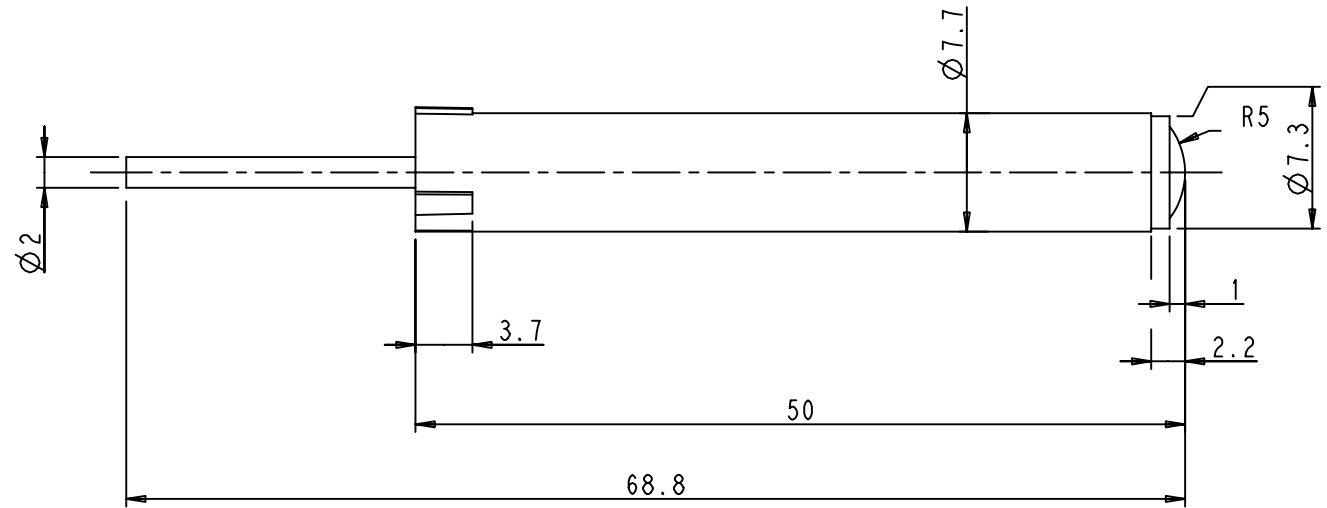
DETAIL A
SCALE 2:1




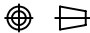
HARDWARE 4319 MARLENA ST. BOSSIER CITY, LA 70111 RESOURCES PROPRIETARY AND CONFIDENTIAL THE INFORMATION CONTAINED IN THIS DRAWING IS THE SOLE PROPERTY OF HARDWARE RESOURCES INC. ANY REPRODUCTION IN PART OR AS A WHOLE WITHOUT THE WRITTEN PERMISSION OF HARDWARE RESOURCES INC. IS PROHIBITED.	ITEM#: 500_0U86_05_SC_FH FINISH:	MATERIAL: WEIGHT: g PROJECTION:
	TOLERANCE UNLESS OTHERWISE SPECIFIED: X: MM ±0.20 XX: MM ±0.10 XXX: MM ±0.05 ANGULAR: ±0.5° DO NOT SCALE DRAWING	UNIT: MM SIZE: A4 SHEET 1 OF 1

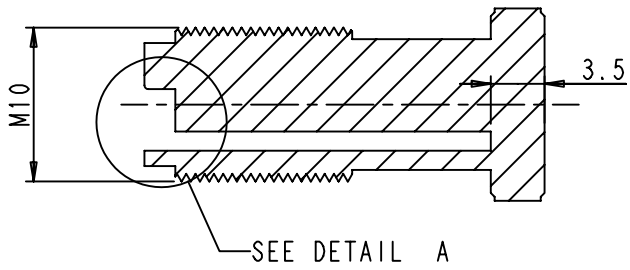


SCALE 2:1

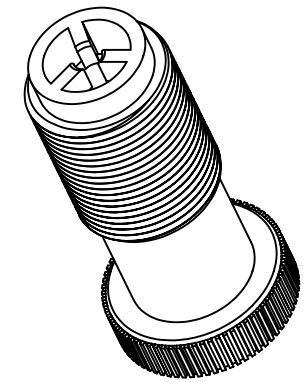
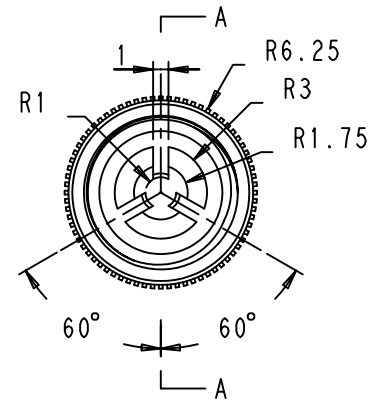


SCALE 2:1

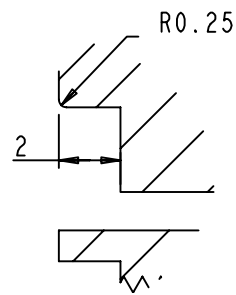
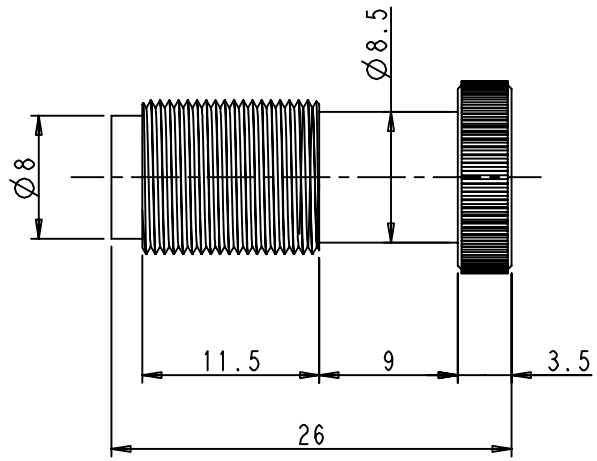
HARDWARE  4319 MARLENA ST, BOSSIER CITY, LA 71111 RESOURCES	ITEM#: SOLFT_CLOSE_PLUNGER	MATERIAL:
	FINISH:	WEIGHT: g
PROPRIETARY AND CONFIDENTIAL THE INFORMATION CONTAINED IN THIS DRAWING IS THE SOLE PROPERTY OF HARDWARE RESOURCES INC. ANY REPRODUCTION IN PART OR AS A WHOLE WITHOUT THE WRITTEN PERMISSION OF HARDWARE RESOURCES INC. IS PROHIBITED.	TOLERANCE UNLESS OTHERWISE SPECIFIED: X: MM ±0.20 X.X: MM ±0.10 X.XX: MM ±0.05 ANGULAR: ±0.5° DO NOT SCALE DRAWING	PROJECTION: 
UNIT: MM SIZE: A4 SHEET 1 OF 1	DRAWN BY: <i>alan.bui</i> CHECKED BY: APPROVED BY:	DATE: DATE: DATE:




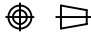
SECTION A-A
SCALE 2:1



SCALE 2:1



DETAIL A
SCALE 4:1

HARDWARE  4319 MARLENA ST. BOSSIER CITY, LA 71111 RESOURCES	ITEM#:	SOFT_CLOSE_SCREW		MATERIAL:
	FINISH:			WEIGHT: g
PROPRIETARY AND CONFIDENTIAL THE INFORMATION CONTAINED IN THIS DRAWING IS THE SOLE PROPERTY OF HARDWARE RESOURCES INC. ANY REPRODUCTION IN PART OR AS A WHOLE WITHOUT THE WRITTEN PERMISSION OF HARDWARE RESOURCES INC. IS PROHIBITED.	TOLERANCE UNLESS OTHERWISE SPECIFIED: X: MM ±0.20 X.X: MM ±0.10 X.XX: MM ±0.05 ANGULAR: ±0.5° DO NOT SCALE DRAWING	UNIT: MM SIZE: A4 SHEET 1 OF 1	DRAWN BY: <i>alan.bui</i> CHECKED BY: APPROVED BY:	PROJECTION:  DATE: DATE: DATE: