

INSTALLATION INSTRUCTIONS

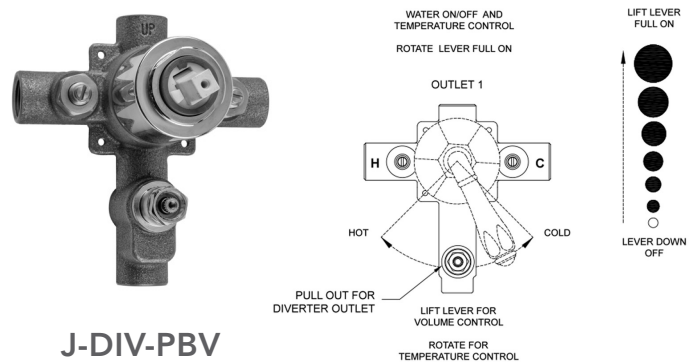
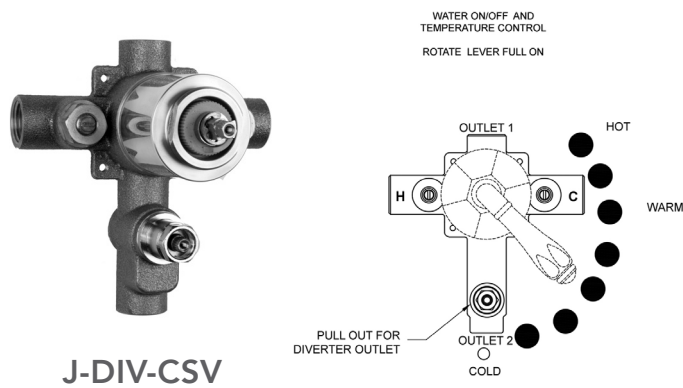
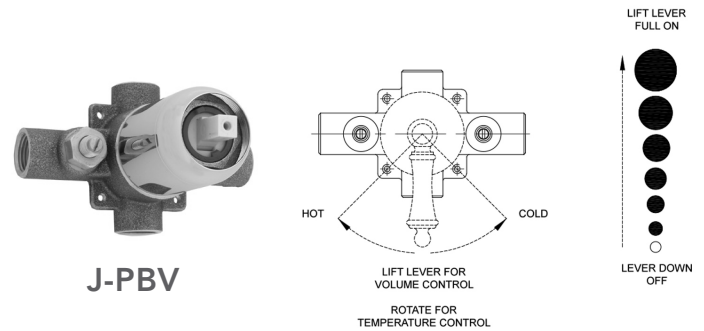
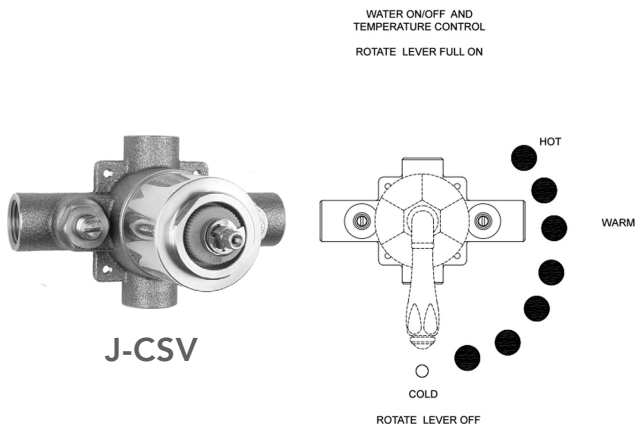
JACLO®

Confidence from start to finish.™

Pressure Balance Valves

Part #'s: J-CSV, J-PBV, J-DIV-CSV, J-DIV-PBV

FOLLOW ALL APPLICABLE LOCAL PLUMBING CODES, PUBLIC HEALTH AND SAFETY CODES



****IMPORTANT** WATER FLOWS FROM BOTTOM PORT OF VALVE FIRST.
If using valve for 2 functions, plumb desired first function from bottom port.**

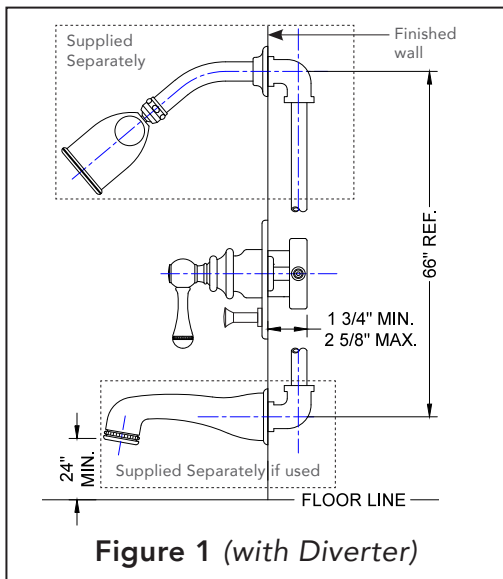


Figure 1 (with Diverter)

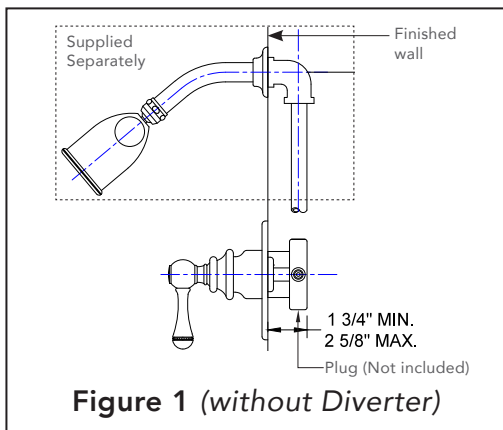


Figure 1 (without Diverter)

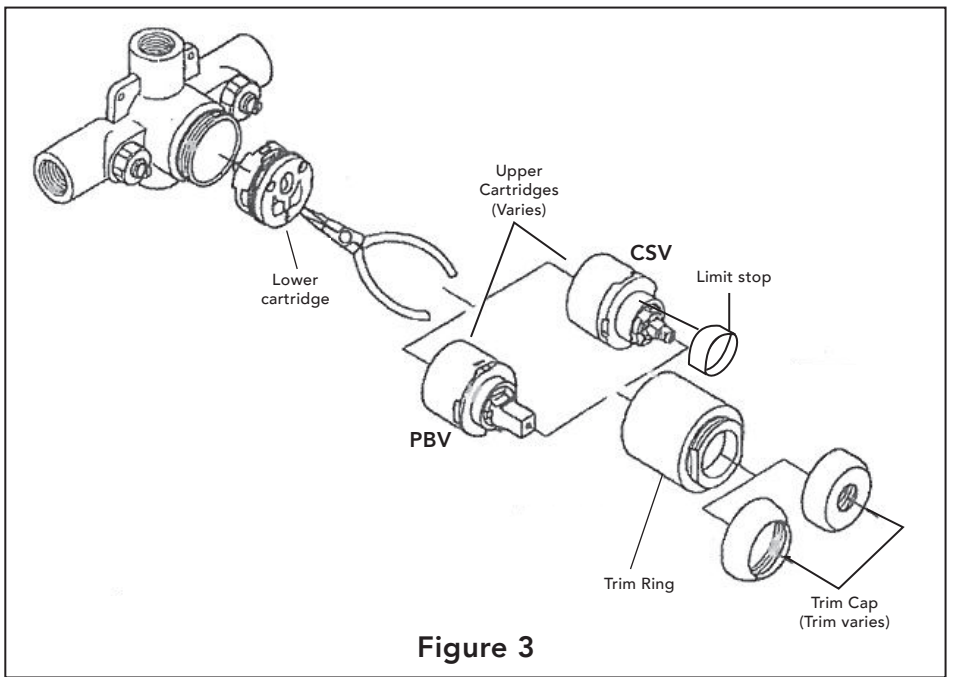


Figure 3

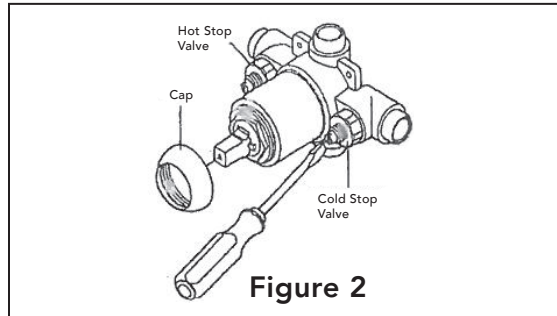


Figure 2

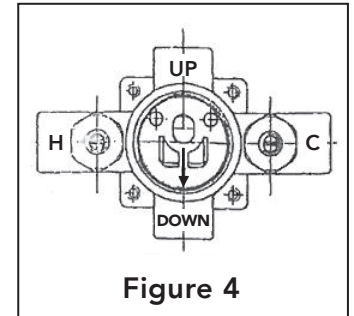


Figure 4

****IMPORTANT****
WATER FLOWS FROM BOTTOM PORT OF VALVE FIRST.
If using valve for 2 functions, plumb desired first function from bottom port.

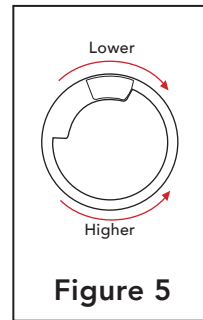


Figure 5

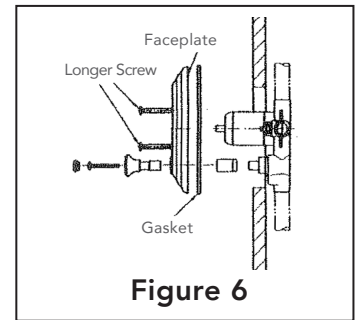


Figure 6

VALVE INSTALLATION

1. Turn off water supply.
2. Install valve in rough wall blocking within min. max. dimensions to finished wall. **Figure 1**
3. Remove plastic roughing shield.
4. Turn off hot and cold stops. **Figure 2**
5. Remove trim ring.
6. Remove upper and lower cartridges and store in clean package.
7. Connect hot and cold piping to valve. **Figure 4**
8. Connect shower and or tub piping to valve. Install pipe plug on any unused port. **Figure 4**
9. Turn water on.
10. Place a suitable container under valve and turn on hot and cold stops. Run water until it is clear and free of debris.
11. Turn off hot and cold stops.
12. Clean inner valve body.
13. Reinstall lower and upper cartridges. Installation tip: use a little silicone grease to keep seals in place during installation.
14. Install trim ring.
15. Open hot and cold stops and check for leaks.
16. Repeat steps 11-13 if leak is found.
17. Reinstall plastic roughing shield.

TRIM INSTALLATION (FINISHED WALL IS COMPLETE)

1. Remove and discard plastic roughing shield.
2. Close hot and cold stops.
3. Remove brass trim ring.
4. Install decorative trim ring.
5. Mount gasket on back of faceplate. **Figure 6**
6. Install faceplate. **Figure 6**
7. Install diverter handle (if used).
8. Install valve handle.

MAINTENANCE

1. Close both hot and cold stop valves. **Figure 2**
2. Remove both the upper and lower cartridges. **Figure 3**
3. Replace lower cartridge, making sure arrow is pointing down. **Figure 4**
4. Replace upper cartridge. **Figure 3**
5. Reinstall trim ring and trim cap, then turn on hot and cold stop valves **Figure 2** and check for leaks.
6. Reinstall the rest of trim (handle and faceplate - not shown).

LIMIT STOP ADJUSTMENT (J-CSV & J-DIV-CSV)

1. Valve maximum should be set per applicable building code(s).
2. Open valve and run water at maximum temperature, measure water temperature.
3. If adjustment is required, turn off hot and cold water supply at stop valves. **Figure 2**
4. Remove trim ring. **Figure 3**
5. Remove upper cartridge. **Figure 3**
6. Remove limit stop. **Figure 3**
7. Reinstall limit stop to achieve desired maximum temperature setting:
 - a. Clockwise to lower temperature **Figure 5**
 - b. Counter clockwise to increase temperature **Figure 5**
8. Reinstall cartridge.
9. Reinstall trim ring.
10. Open valve stops.
11. Retest maximum water temperature.
12. Repeat adjustment if required.

Over Fifty Years of Excellence Proud to be an American Company



CARE INSTRUCTIONS

In order to maintain the high quality finish of JACLO products, please adhere to the following product care instructions:

Cleaning JACLO products: For routine cleaning, simply use a soft damp cloth and common household soap, then rinse and dry. Proper care of your product is important because most water contains calcium that deposits on surfaces, forming unpleasant spots. This can be avoided by routine cleaning and drying after every use. Use only mild soap detergents. JACLO products may be periodically waxed with non abrasive compounds, such as Flitz® faucet wax.

Never use abrasive cleaners, bleach, disinfectants or cleaning products containing alcohol, ammonia, hydrochloric or phosphoric acids as they will damage the product finish.

Please note: Your product warranty may not be valid if the above cleaning guidelines are not followed.

WARRANTY

Residential Warranty: Your new plumbing fixture is warranted by JACLO INDUSTRIES, 129 Dermody Street, Cranford, NJ 07016. This warranty is extended to original consumer purchasers only. This warranty gives you specific legal rights, and you may also have other rights which vary from state to state.

The product (including the finish on the product but excluding any custom finishes and any installation hardware not supplied by JACLO) is warranted to be free from defects in material or workmanship under normal use and service for the lifetime* of the fixture, so long as the original consumer purchaser owns it. JACLO's sole obligation under this or any other warranty is limited to repairing or replacing at JACLO's option, without labor, any part or parts of the fixture which fail to conform to such warranty.

JACLO WILL NOT BE LIABLE FOR ANY CONSEQUENTIAL OR INCIDENTAL DAMAGES CAUSED BY A BREACH OF THIS OR ANY OTHER WARRANTY.

Some states do not allow the exclusion of limitation of incidental or consequential damages, so the above limitation may not apply to you.

To secure warranty performance, the original consumer purchaser must have the fixture properly and professionally installed in accordance with all codes and installation instructions.

Items and actions that will void the JACLO warranty are:

- Abuse, misuse, neglect and accidental damage
- Improper cleaning, care and maintenance of the fixture
- Alteration of the fixture in any way including removal of a flow regulator/restrictor

All warranty claims must be made in accordance with the JACLO return policy (see below).

JACLO does not authorize any distributor, retailer or other person to modify this warranty or assume any liability on its behalf with respect to it. Any question regarding the operation of warranty should be addressed to JACLO's warranty department.

*Due to the unpredictable environment, all kitchen drains, strainers and garbage disposal flanges are warranted for the period of one year from date of purchase from an authorized JACLO dealer.

Un-lacquered Brass (ULB) is a living finish and is excluded from any finish warranty.

Commercial Warranty: JACLO offers the above warranty for a period of one year from date of purchase to purchasers of products for industrial, commercial, business and all non-private residential uses.

