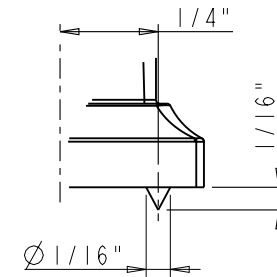
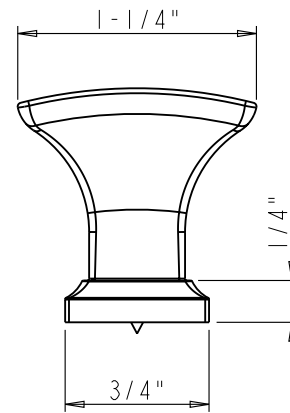
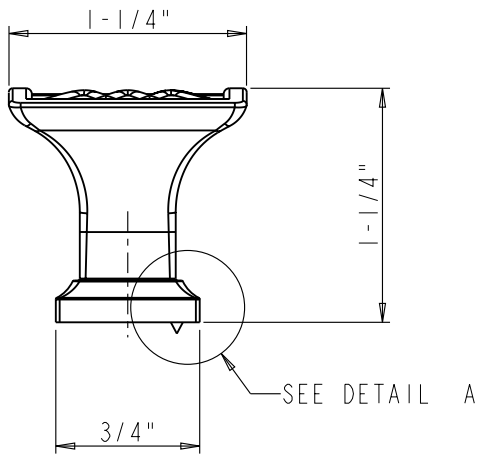
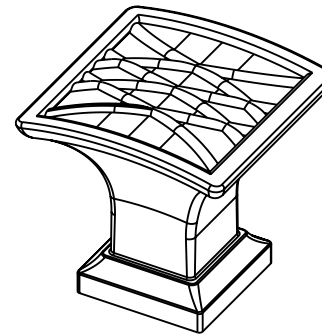
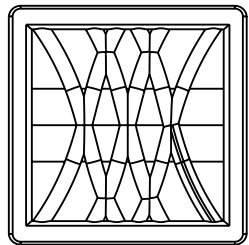


8-32 UNC - ∇ 1/2"



DETAIL A
SCALE 2:1



	ITEM:	1-25-SQUARE-LINE		MATERIAL:	ZINC
	FINISH:			WEIGHT:	65.65 g
PROPRIETARY AND CONFIDENTIAL THE INFORMATION CONTAINED IN THIS DRAWING IS THE SOLE PROPERTY OF HARDWARE RESOURCES INC. ANY REPRODUCTION IN PART OR AS A WHOLE WITHOUT THE WRITTEN PERMISSION OF HARDWARE RESOURCES INC. IS PROHIBITED.	TOLERANCE UNLESS OTHERWISE SPECIFIED:	UNIT:	DRAWN BY:	DATE:	
	X: MM ± 0.20 X.X: MM ± 0.10 X.XX: MM ± 0.05 ANGULAR: $\pm 0.5^\circ$ DO NOT SCALE DRAWING	SIZE:	CHECKED BY:	DATE:	
		APPROVED BY:	DATE:		