

JASON[®]

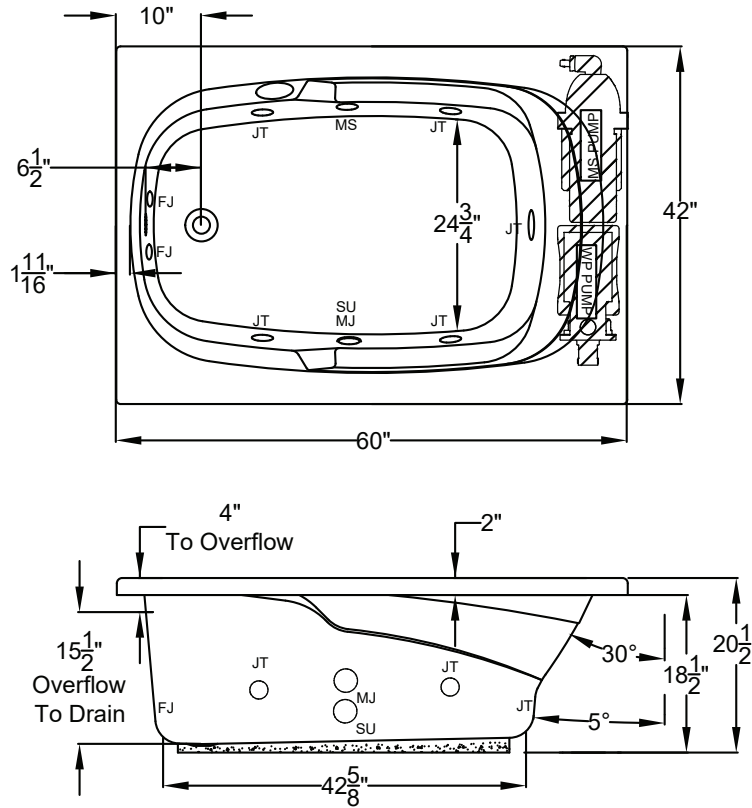
HYDROTHERAPY

8328 MacArthur Dr. • North Little Rock, AR 72118
 501.771.4477 • Fax: 501.771.2333
 Customer Service: 800.255.5766
 www.jasoninternational.com

Designer Collection Specifications

EM535

MicroSilk[®] - Whirlpool






Patents recieved or pending.

Note: Dimensional Tolerances: ±1/4"

Drop-in-Hole Size:	40" x 58"
Operating Capacity:	44 Gal.
Overflow Capacity:	65 Gal.
Floor Loading / sq.ft.:	46.9 lbs.
Carton Weight:	140 lbs.
Cube:	36.2 ft. ³

Construction: Fiberglass reinforced acrylic bath with Level Form™ full-support base.

We provide products listed with Intertek ETL SEMKO (Edison Testing Laboratories) U.S. and Canadian and with International Association of Plumbing and Mechanical Officials (IAPMO). Consult factory with your listing requirements.

Standard	 <p>A 120V system that includes a MicroSilk[®] unit; a quiet 1-1/2 HP, 1-speed whirlpool pump; an electronic control; and a 20-minute timer. The keypad also controls the optional Jetted Neck Pillow.</p>
Premier	 <p>A 120V system that includes a MicroSilk[®] unit; a quiet 1-1/2 HP, 1-speed whirlpool pump; bath heater; (2) Chromatherapy mood mights; Automatic Ozone System; an electronic control; and a 20-minute timer. The keypad also operates the optional Jetted Neck Pillow.</p>
Signature	 <p>A 120V system that includes a MicroSilk[®] unit; a quiet 1-1/2 HP, 1-speed whirlpool pump; bath heater, (2) Chromatherapy mood mights; Automatic Ozone System; a digital control with LCD display; low water level and temperature sensors; enhanced user control options; a 20-minute timer; and Bluetooth Sound Immersion System. Control keypad operates the MicroSilk[®] and Whirlpool pumps, LED Chromatherapy mood lights, optional Jetted Neck Pillow, and shows equipment status, water temperature, and time remaining.</p>