



5.8 cu. ft. Slide-In Gas Range

KSGG700E



Black Stainless Steel with PrintShield™ Finish
KSGG700EBS

Also available in:

 Stainless Steel **KSGG700ESS**

Capacity

Oven 5.8 cu. ft.

General Features & Properties

5 Burners

EasyConvect™ Conversion

FIT System Limited Guarantee*

AquaLift®

Storage Drawer

Glass Touch Controls

Continuous Interlocking Grates

Side Trim Accessory Kit

Electrical Details

Amps 15

Volts 120

Certifications

ADA Compliant Yes

Technical Details

Fuel Type Gas

Range Type Slide-In Single Oven

Oven Cooking System True Convection

Number of Oven Racks 3

Cleaning Type AquaLift® Self-Clean

Number of Burners 5

Burner Type Sealed Burners

Burner Power (1) 5000 BTU
(1) 8000 BTU
(1) 9200 BTU
(1) 15,000 BTU
(1) 17,000 BTU

Dimensions

Product Dimensions (H x W x D) 36" x 29-7/8" x 28-7/8"

Depth with Door Open 90° 48-3/4"

Cutout Width 30"

Reference Material

[Dimension Guide](#)

[Install Guide](#)

[Use & Care Guide](#)

[Warranty](#)

Key Features & Benefits

Even-Heat™ True Convection

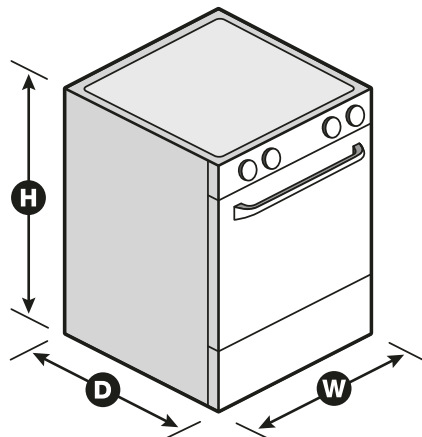
The unique bow-tie design and convection fan ensure the inside of the entire oven is heated to, and stays at, the perfect temperature.

Steam Rack

Offers the ability to provide additional moisture to the inside of the oven, enhancing cooking results.

5.8 Cu. Ft. Capacity

This gas slide-in range provides a large cooking capacity that's perfect for multiple dishes at once.



*Visit kitchenaid.com for complete details. NOTE: Dimensions are for planning purposes only. For complete details, see Installation Instructions packed with product. Specifications subject to change without notice.