

**Features**

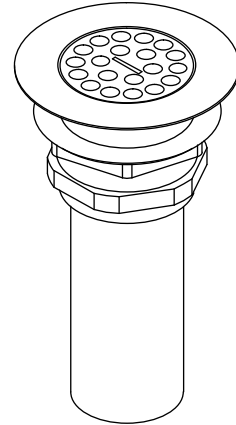
- 1-1/2" connection
- Brass tailpiece
- Brass construction
- Removable perforated strainer

**Codes/Standards Applicable**

Specified model meets or exceeds the following:

- ASME A112.18.2/CSA B125.2

**SINK STRAINERS**  
**K-8807**  
**ALSO K-8820**



**Colors/Finishes**

- CP: Polished Chrome

**Specified Model:**

Model	Description	Colors/Finishes
K-8807	Perforated strainer for sinks with 3-1/2" (89 mm) or 4" (102 mm) outlets	<input type="checkbox"/> CP
K-8820	Perforated strainer for sinks with 2" (51 mm) outlet	<input type="checkbox"/> CP

**Product Specification**

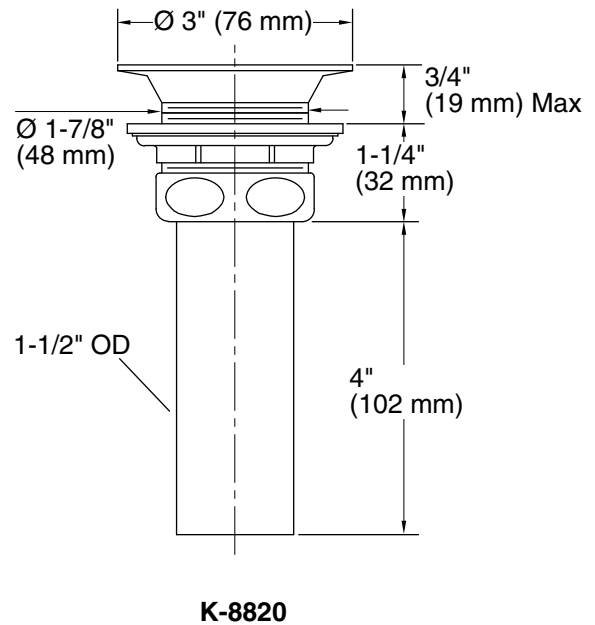
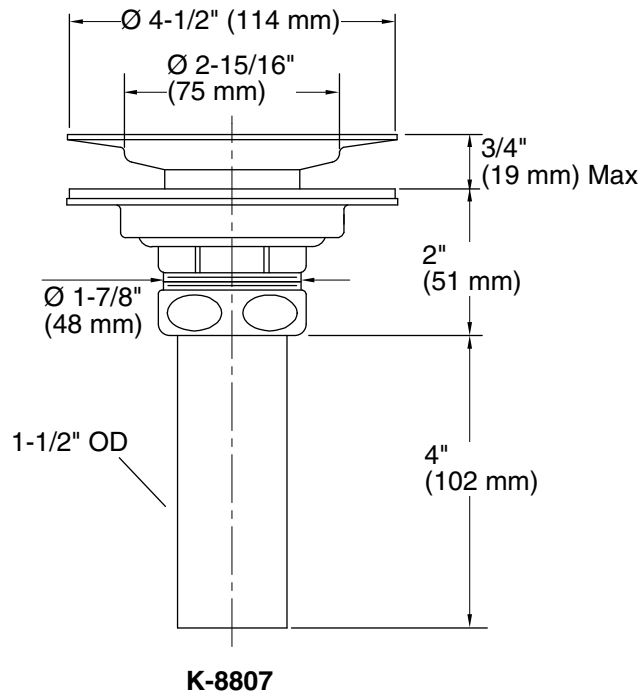
Sink strainer shall be of brass construction. Product shall feature brass tailpiece and 1-1/2" connection. K-8807 is intended for sink installations with 3-1/2" (89 mm) or 4" (102 mm) outlets. K-8820 is intended for sink installations with a 2" (51 mm) outlet. Sink strainer shall be Kohler Model K-\_\_\_\_\_-CP.

## Technical Information

Applicable strainer:	
For sinks with 3-1/2" (89 mm) or 4" (102 mm) outlets	K-8807
For sinks with 2" (51 mm) outlet	K-8820

## Installation Notes

Install this product according to the installation guide.



## Product Diagram