

## Features

- Comes included with the K-5409-NA Strive kitchen sink.
- Durable stainless-steel construction.
- Helps protect sink surface from daily wear.
- Dishwasher safe.
- Rubber feet provide added protection.



## Codes/Standards


None Applicable

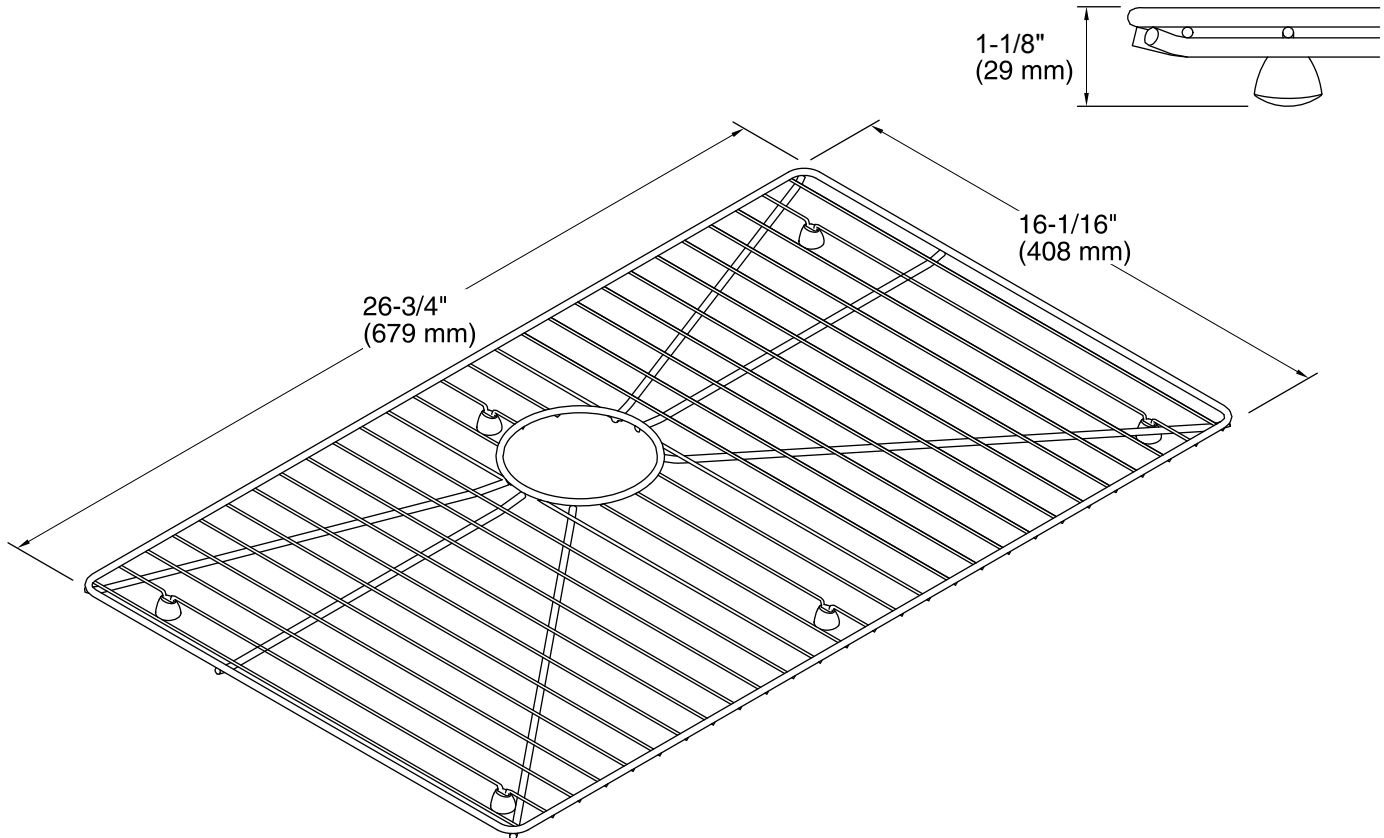
## KOHLER® One-Year Limited Warranty

See website for detailed warranty information.

## Available Colors/Finishes

*Color tiles intended for reference only.*

Color	Code	Description
	ST	Stainless Steel



## Technical Information

All product dimensions are nominal.

Material:                   Stainless Steel