

Features

- 27" minimum base cabinet width - with standard installation.
- 24" minimum base cabinet width - with customized installation.
- Secondary sink or primary sink application.
- 10-inch depth provides generous workspace.
- No faucet holes.
- SilentShield® sound-absorption technology offers quieter performance.
- Three graduated ledges in basin allow you to place accessories at your preferred height.
- Beveled cone-shape slopes into the drain, easily disposing debris.
- Includes a bamboo cutting board which fits securely on the sink and covers entire sink, providing an easy-to-clean work surface.
- Includes two durable dishwasher-safe grated racks that provide a convenient shelf for drying, rinsing, and defrosting.
- Includes a durable dishwasher safe wash bin and colander for draining pasta, washing dishes, or defrosting meat.
- Includes installation hardware.

Material

- 18-gauge stainless steel.

Installation

- Under-mount

Components

Product includes:

- K-5544 Colander and Washbin
- K-5542 Multipurpose Grated Rack
- K-5542 Multipurpose Grated Rack
- K-23680 Large Bamboo Cutting Board

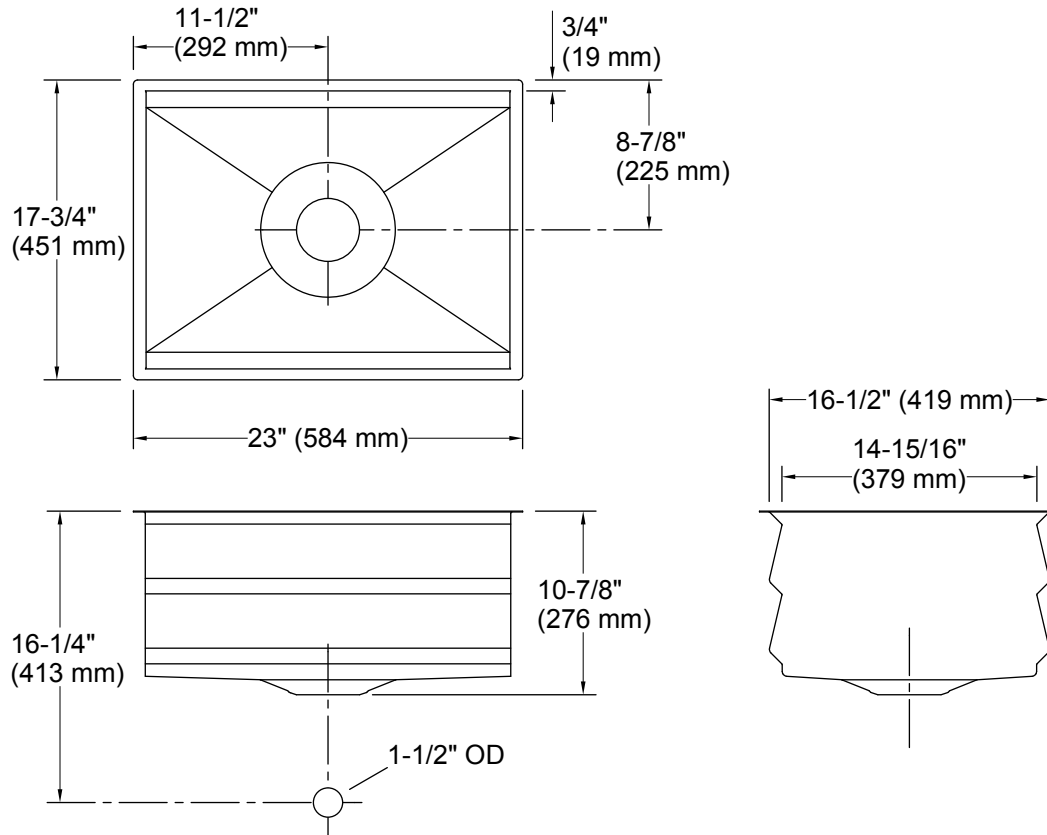


Codes/Standards

ASME A112.19.3/CSA B45.4

Lifetime Limited Warranty for KOHLER® Stainless Steel Sinks

See website for detailed warranty information.



Technical Information

All product dimensions are nominal.

| | |
|------------------|--|
| Installation: | Under-mount |
| Bowl area (Only) | Length: 21-1/2" (546 mm) Width: 14-15/16" (379 mm) Bowl depth: 9-15/16" (252 mm) Water depth: 9-15/16" (252 mm) |
| Drain hole: | 3-3/4" (94 mm) |
| Template: | 1311445-7, required, included |

Notes

Install this product according to the installation instructions.

Countertop manufacturer or cutter must use the cut-out template provided with the product, or a current one provided by Kohler Co. (call 1-800-43-FOCUS). Kohler Co. is not responsible for cut-out errors when the incorrect cut-out template is used.