

KUBISTA Lavatory

Item: H264BT



Features:

- Solid Surface trough-bowl lavatory with overflow
- Solid Surface drain cover
- Vanity-top or self-rimming installation
- Faucet hole (s) diameter: 1 3/8"
- Material is heat, stain, scratch, chemical, and impact resistant
- American grid drain with overflow is recommended (i.e. 7100-18OF)
- Third party certified to meet and exceed the following standards/codes:
 - CSA B45.5-11/Z124-2011
 - CMR 248 (Mass. Code of Approval)

Recommended Accessories:

- Item #H264/NT: Wall-mount wooden vanity with five drawers and optional metal trims

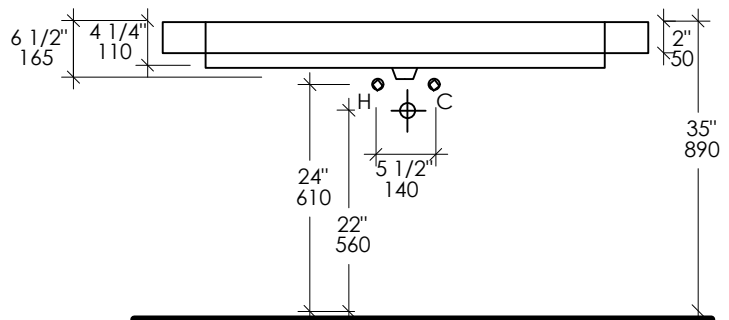
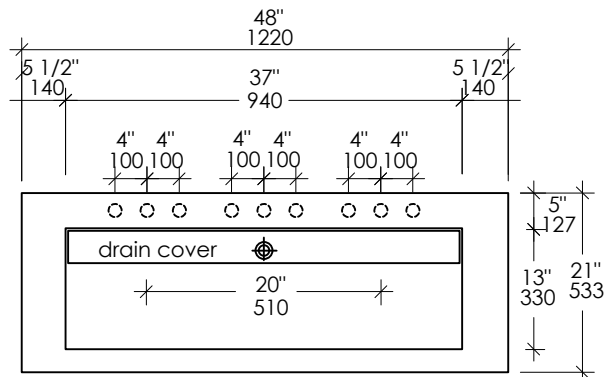
Finish Options

- 001G - Gloss White
- 001M - Matte White

Faucet Hole Options:

- 00 - None
- 01 - One (centered over drain)
- 02 - Two, center and right (centered over drain)
- 03 - Three in 8" spread (centered over drain)
- Other holes drilled to order when requested - please mark in specs

Product Specifications:



Notes:
 Drawings provided herein are meant to give the user an idea of the product and are not made to scale. The size in inches is rounded up to the nearest 1/16". Slight variances can often occur with porcelain and woodwork. Therefore, LACAVA will not be held responsible for any cutouts, countertops, or furniture made without the actual product or template from LACAVA. Difference in color, grain, appearance and texture are inherent in all natural woodwork, and should be expected. Variances in these qualities are not deemed manufacturing defects, and will not be accepted as valid reasons to return or exchange any LACAVA woodwork. Plumbing specifications are only a guideline and may need to be altered based on application. Product specification are not binding to the manufacturer and can be changed without notice at any time. Please refer to your shipment for product final sizes.

LACAVA is committed to the highest level of customer service. Please feel free to contact us at 1-888-522-2823 (toll free) or by email at info@lacava.com for technical assistance or any general inquiries.

Rev. 10-19-2017