

Adara Counter-Sink (#872)

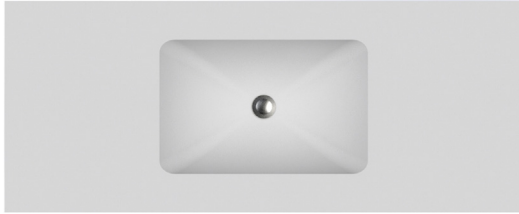
21" x 14"

GENERAL SPECIFICATIONS:

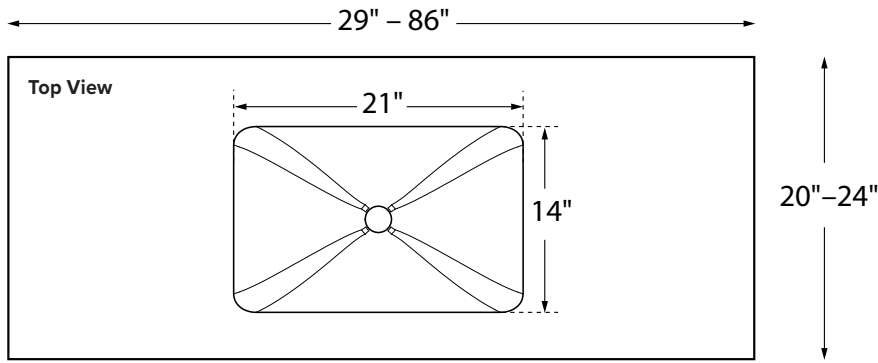
Material - SculptureStone®

Installation - Vanity or Wall Mount

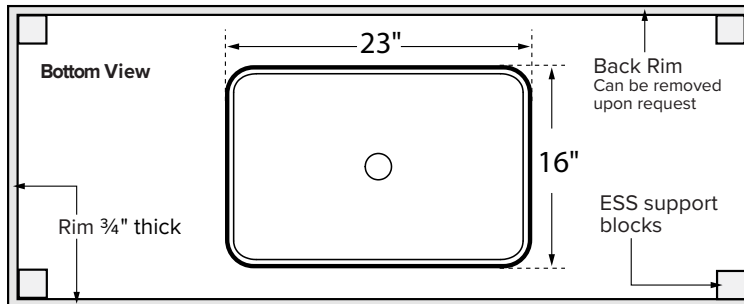
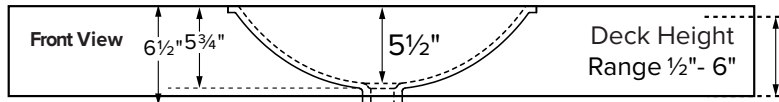
NOTE: Bowl dimensions shown above.
Counter-top size is custom.



Visit <https://configurator.mtibaths.com>
to [create your custom counter-sink.](#)



NOTE: Counter-sinks with a length of 36" and under have a maximum depth of 23".



IMPORTANT ORDERING & INSTALLATION INFORMATION:

- Counter-sinks with a length of 36" and under have a maximum depth of 23".
- Due to the handcrafted nature of this product, please allow for a tolerance of ±1/4" for overall dimensions and ±1/2" for bowl placement.
- Corner support blocks are necessary only when deck height is over 1".
- All sides planned to install against a wall or other structure will be unfinished. Sides indicated as visible on order will be finished.
- Carefully review inside vanity specifications to ensure that there is proper clearance to accommodate the bowl, drain and optional integrated overflow, if applicable.
- Please take into consideration the thickness of material under the countertop when positioning sink bowl, using a deck-mounted faucet or adding an integrated overflow.
- Outside of overflow housing protrudes approx. 3/4" from the bowl and may impact bowl placement.

See the "Boutique Collection Counter-Sink Installation & Operation Manual" included with delivery or go to: mtibaths.com/support/installation for all the information necessary to install the sink. MTI's Customer Service Department is available Monday-Friday 8am-6pm EST at 800-783-8827 or customerservice@mtibaths.com to answer any questions pertaining to ordering or installation.

MTCS-872

