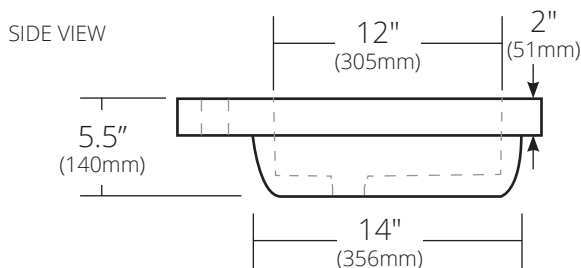
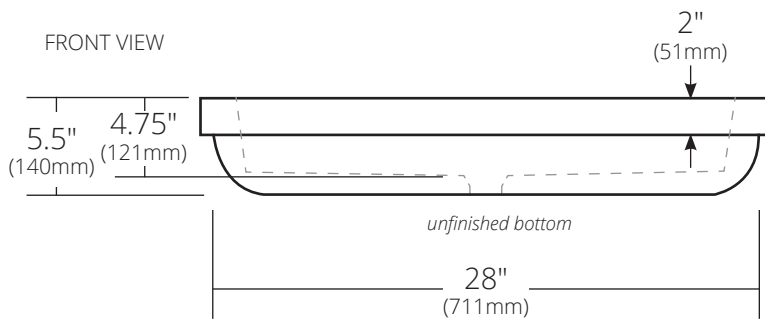
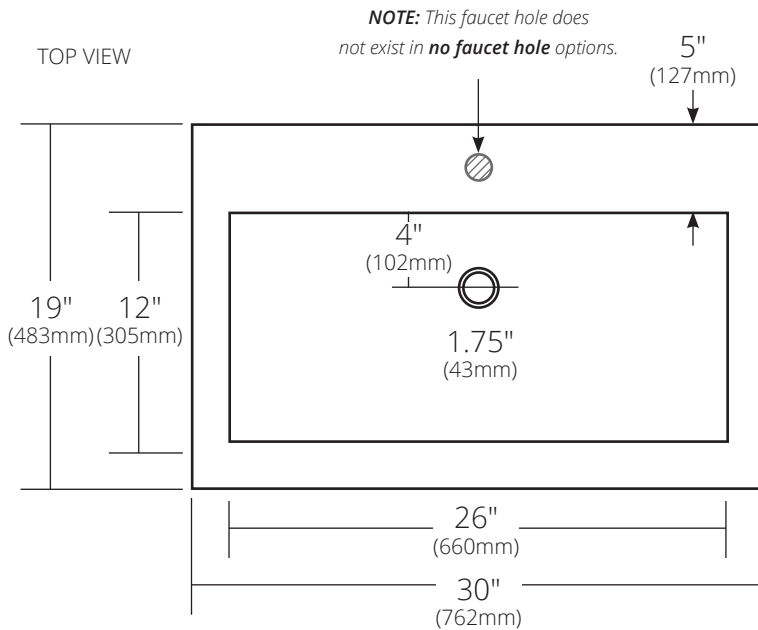


## SPECIFICATIONS

# TROUGH 3019

NativeStone® Collection



### Single Faucet Hole

NSL3019-A Ash  
NSL3019-C Charcoal  
NSL3019-E Earth  
NSL3019-P Pearl  
NSL3019-S Slate

### No Faucet Hole

NSL3019-AX Ash  
NSL3019-CX Charcoal  
NSL3019-EX Earth  
NSL3019-PX Pearl  
NSL3019-SX Slate

### PRODUCT DETAILS

- 30" x 19" x 5.5" OD (762mm x 483mm x 140mm)
- 26" x 12" x 4.75" ID (660mm x 305mm x 121mm)
- 1.75" (43mm) drain opening
- Handcrafted from sustainable NativeStone
- Sealed with NativeStone Shield™

### INSTALLATION

- Drop-In

### COORDINATING PRODUCTS

- Drains: DR120, DR130 or DR150
- 36" Vanity Top with Small Trough Cutout

### STANDARDS COMPLIANCE

- UPC/cUPC compliant
- **ADA** COMPLIANT

### IMPORTANT

Do NOT use tape or other adhesives on NativeStone as it may remove the sealer.

Due to the handcrafted nature of this product, it will vary in finish, texture, hammering, and other details. Dimensions may vary up to ¼" (6mm). We strongly recommend waiting for the actual product before making any installation cuts.