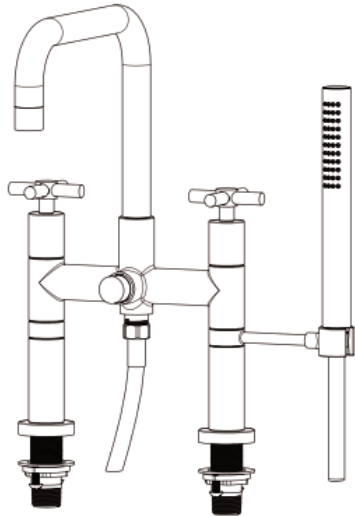
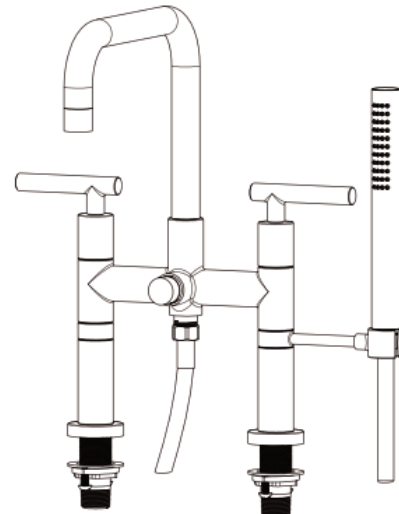


DECK MOUNT TUB FILLER INSTALLATION INSTRUCTIONS

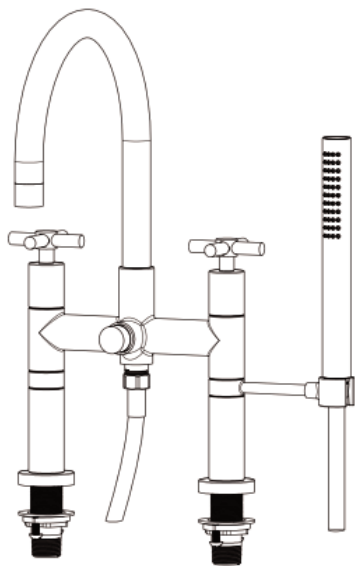
MODEL : I400-4272, I400-4273
I500-4272, I500-4273



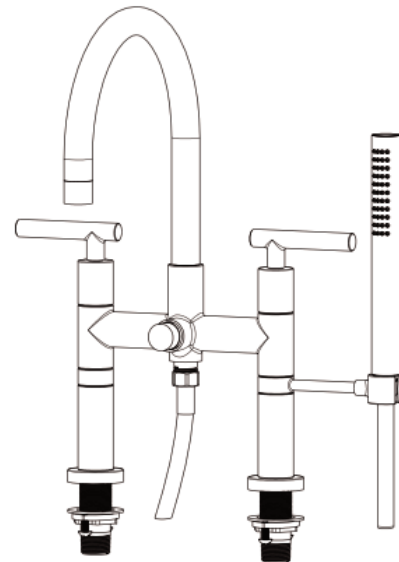
I400-4272



I400-4273



I500-4272



I500-4273

NEWPORT BRASS

Flawless Beauty. From Faucet to Finish.™

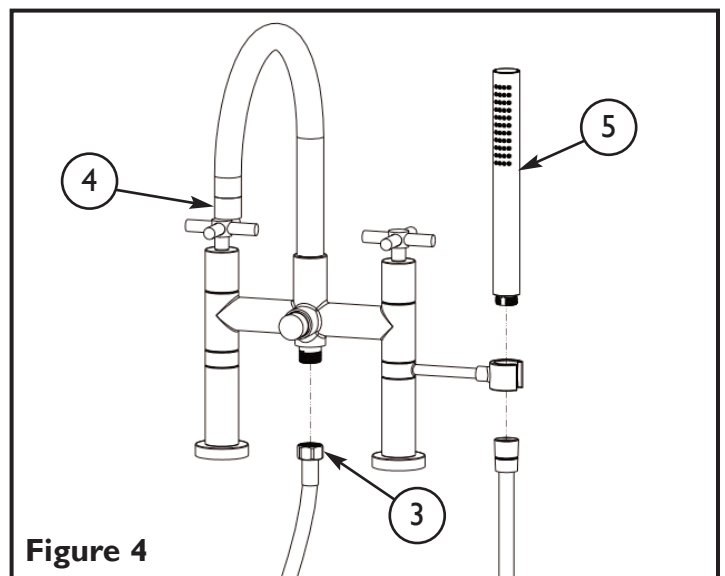
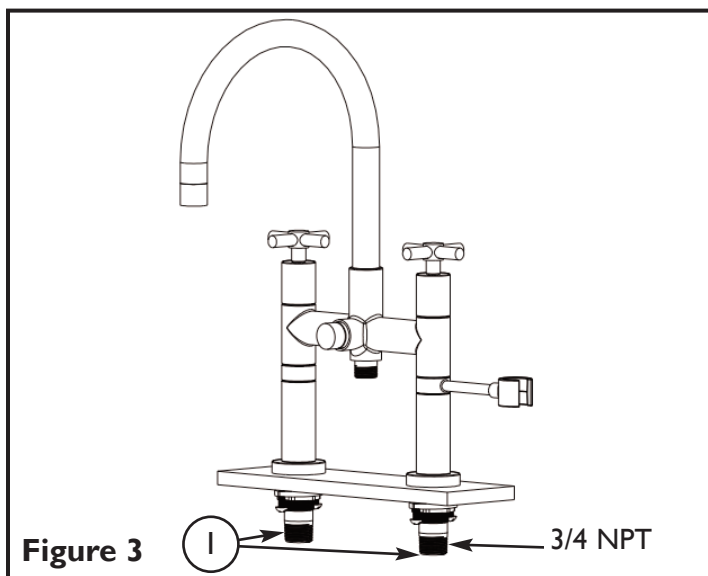
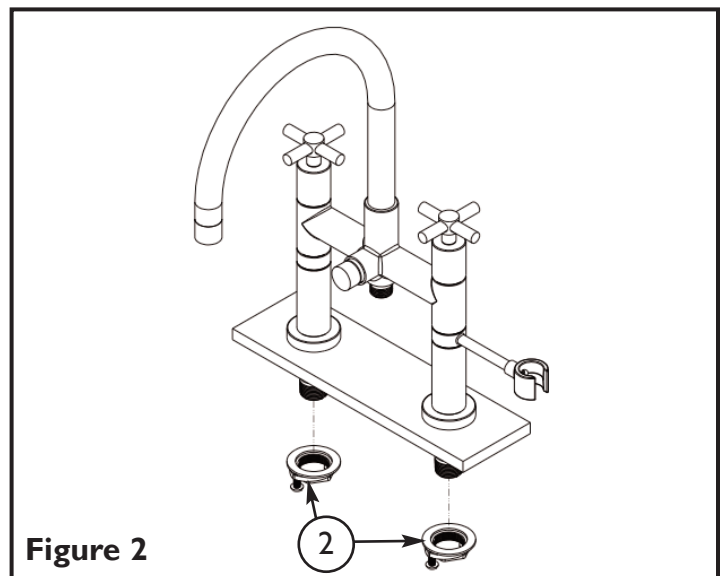
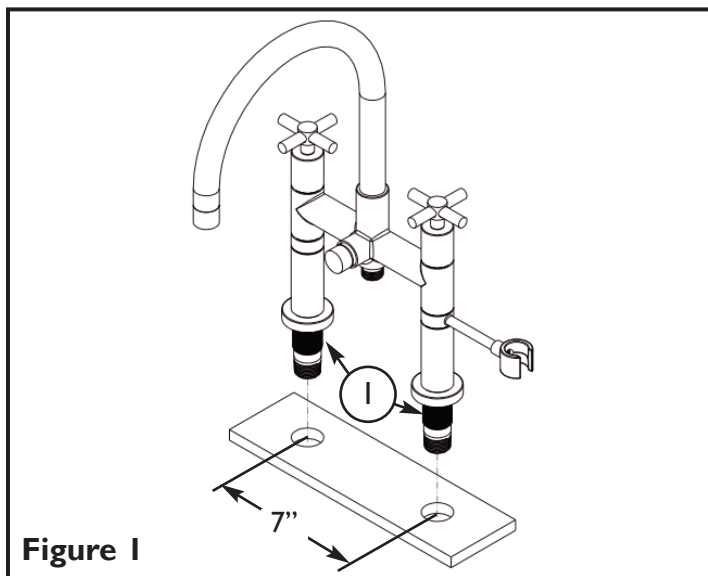
2001 CARNEGIE AVE, SANTA ANA CA 92705

(949) 417-5207

We recommended installation of this product by a Professional Plumbing Contractor

Note: The use of petroleum base plumbers putty on our products will nullify the warranty. We recommend the use of clear silicone sealing materials. Recommended hole 2@ $\text{Ø}1.25''$ to $\text{Ø}1.38''$ and 7'' apart - center to center.

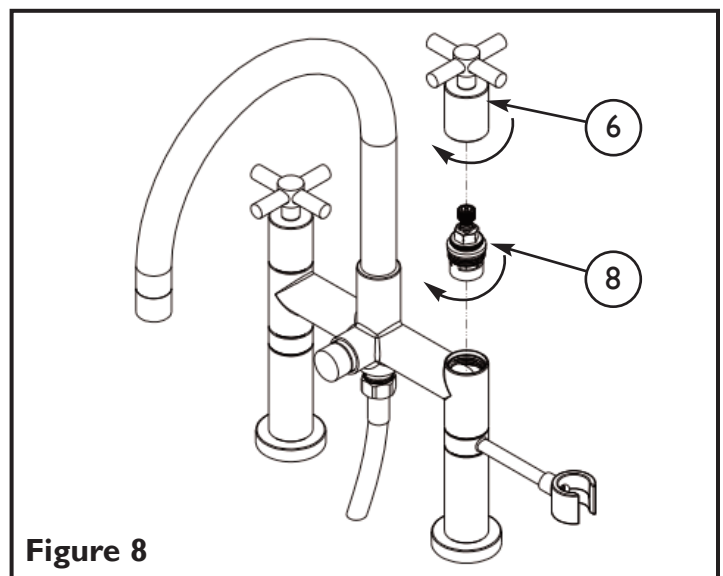
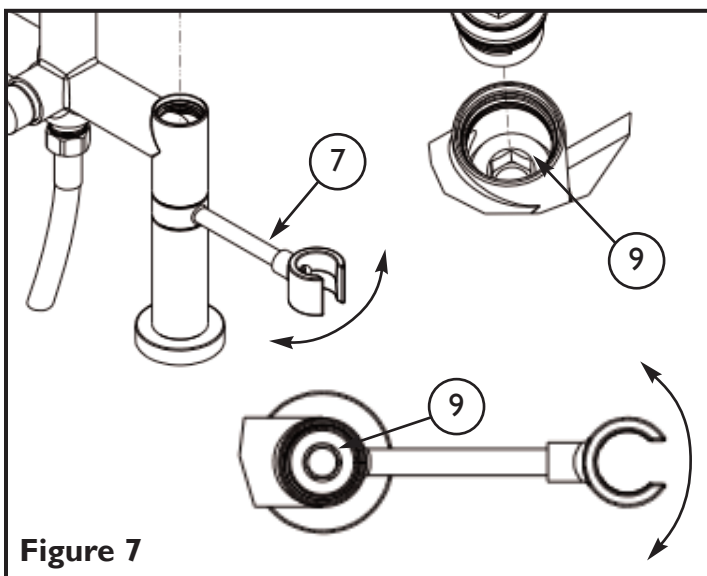
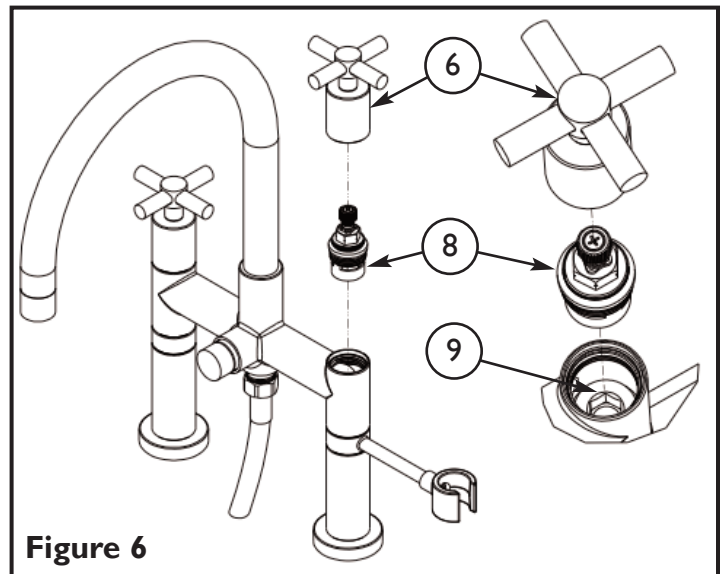
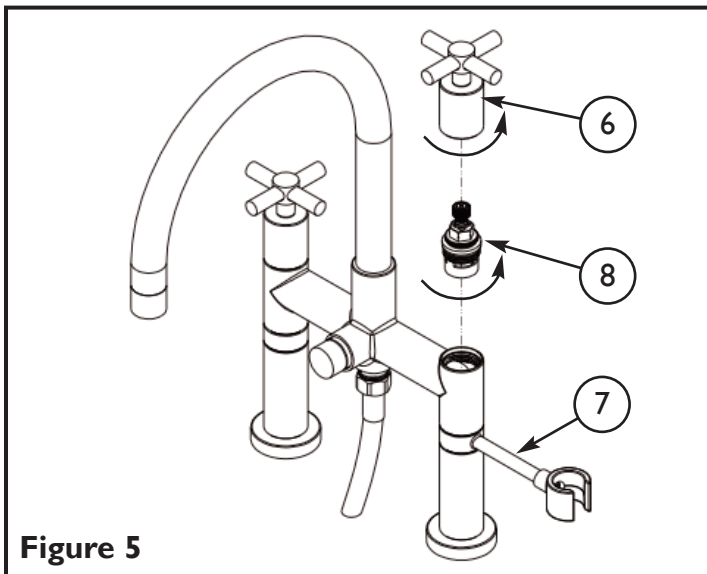
1. Insert both NIPPLES (1) through pre-drilled holes. See **Figure 1**.
2. Secure the faucet with MOUNTING KIT (2). See **Figure 2**.
3. Connect to water supply to the 3/4 NPT NIPPLES (1). Note: do not apply heat to nipples directly. See **Figure 3**.
4. Attach the hand shower spray HOSE (3), remove the FLOW STRAIGHTENER (4) assembly, and flush the tub filler. Divert the flow to the HOSE (3) to flush as well. See **Figure 4**.
5. Reinstall FLOW STRAIGHTENER (4) assembly and attach HANDSHOWER (5) to HOSE (3). See **Figure 4**.



Hand shower holder adjustment about the axis of the riser.

Note: Following steps are to adjust the hand shower holder about the axis of the riser.

1. A 7/16 hex key is required.
2. Unscrew the HANDLE (6) assembly on the side with the HOLDER (7). See **Figure 5**.
3. Remove the CARTRIDGE (8). See **Figure 5**.
4. Using the 7/16 hex key loosen the visible NUT (9) just enough to move the HOLDER (7). Do not fully back out the nut. See **Figure 6**.
5. Adjust the HOLDER (7) to the desired location and tighten the NUT (9) to lock it in place. See **Figure 7**.
6. Install the CARTRIDGE (8) and torque to 15-20 ft-lbs. See **Figure 8**.
7. Install the HANDLE (6) assembly. See **Figure 8**.



Hand shower holder adjustment about the axis of the holder arm.

Note: Following steps are to adjust the hand shower holder about the axis of the holder arm.

1. 5/32 hex key needed; T handle recommended.
2. Slowly loosen the SCREW (10) visible inside the HOLDER (7) until it is possible to move the HOLDER (7). See **Figure 9**. Notches should be felt as the HOLDER (7) is rotated. See **Figure 10**. If HOLDER (7) moves but notches aren't felt, the screw was loosened too much.
3. Once HOLDER (7) is at desired location, tighten the 5/32 hex SCREW (10). See **Figure 10**.

