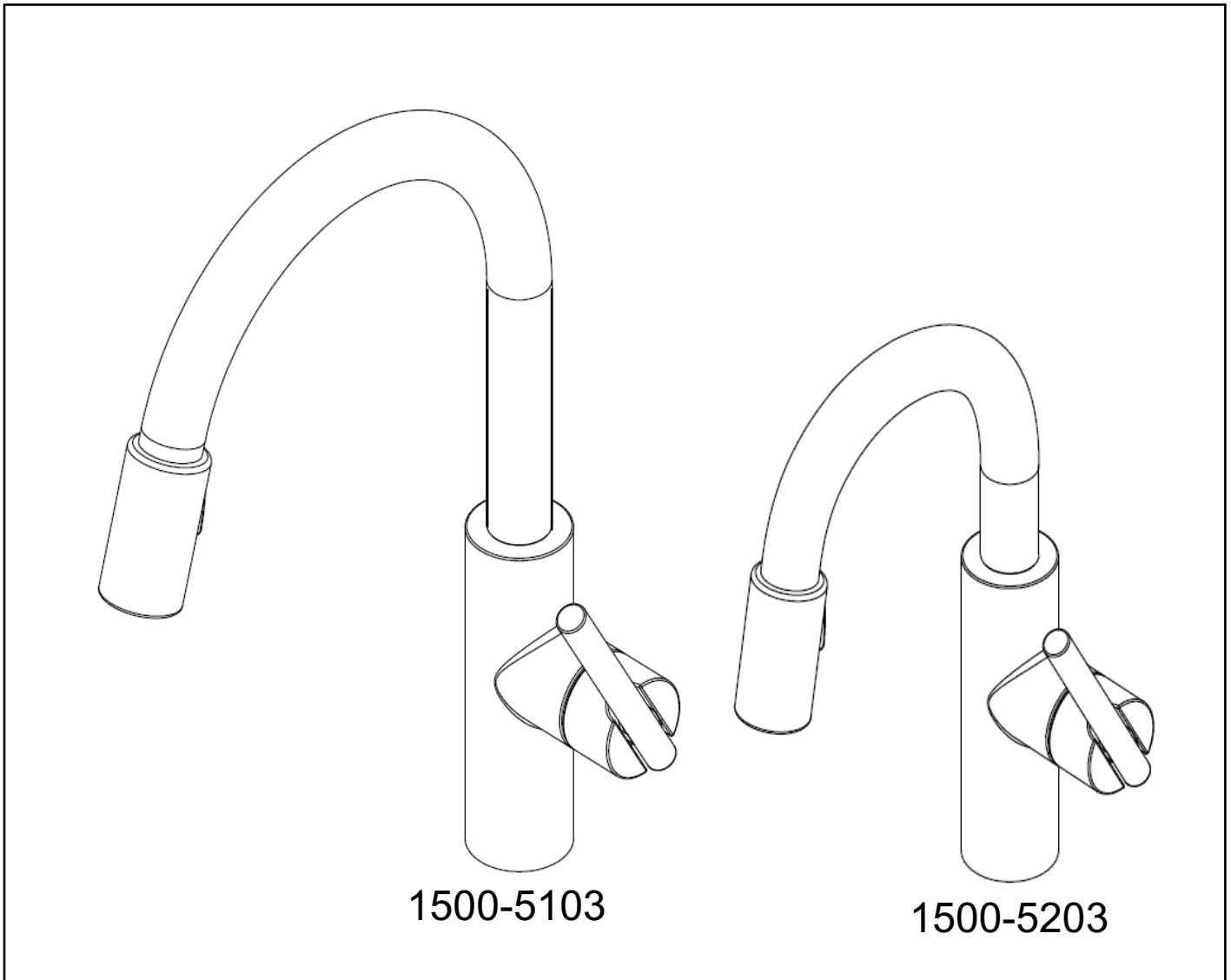


INSTALLATION INSTRUCTIONS PULL-DOWN KITCHEN FAUCET

NEWPORT BRASS
Flawless Beauty. From Faucet to Finish.™

Model No's: 3170-5103, 3170-5203, 1030-5103, 1030-5223, 1500-5103, 1500-5113, 1500-5123, 1500-5143, 1500-5203, 1500-5223, 1400-5113, 3210-5103, 3210-5203, 3190-5113, 3190-5223, 2470-5103, 2470-5223, 3200-5113, 3200-5223, 1200-5103, 1200-5223, 3290-5113, 3290-5223, 2510-5103, 2510-5203, 3180-5113, 3180-5223, 2940-5103, 2940-5123, 2940-5223, 2500-5123, 2500-5223, 3160-5103, 3160-5203, 1030-5223, 1200-5223, 1500-5203, 1500-5223, 2470-5223, 2500-5223, 2510-5203, 2940-5223, 3160-5203, 3170-5203, 3180-5223, 3190-5223, 3200-5223, 3210-5203, 3290-5223



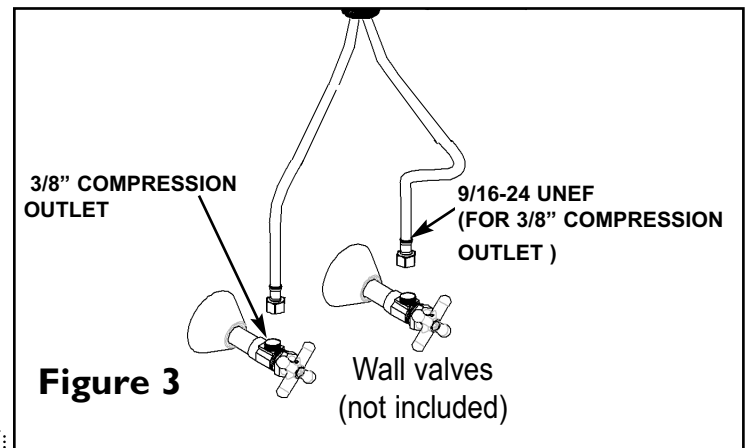
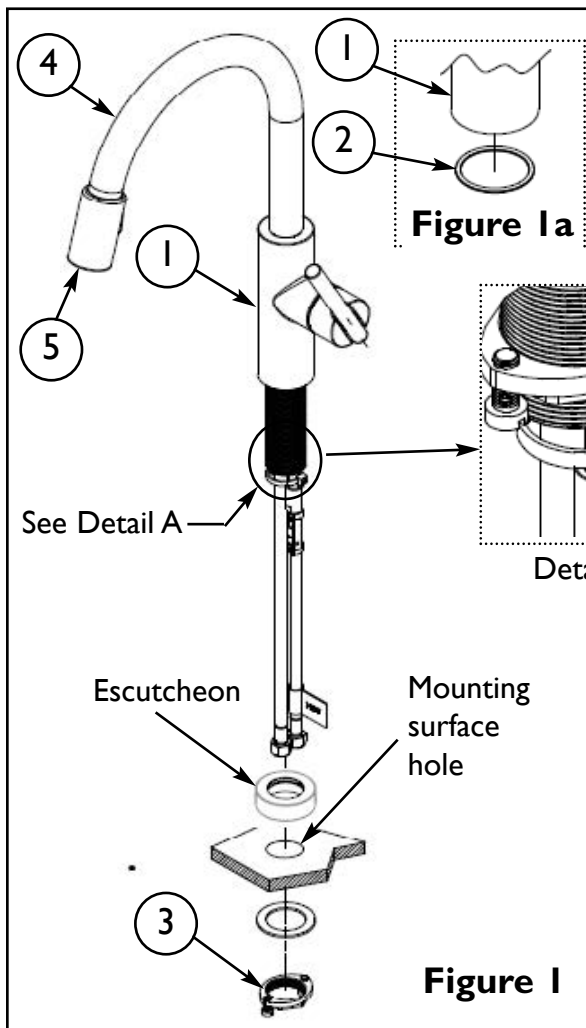
**Congratulations on the purchase
of your Newport Brass product, an
excellent choice that will give you
years of quality service and enhance
the look and style of your home.**

Recommended Installation by a Professional Plumbing Contractor

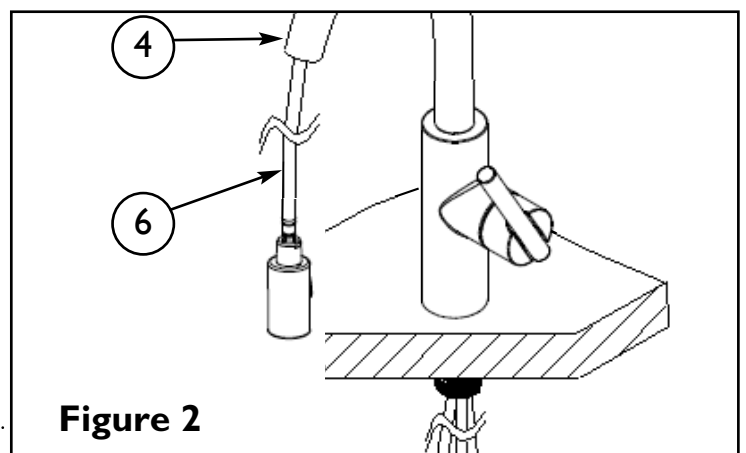
Note:

- A. This product meets the flow rate and performance requirements of the harmonized Uniform Plumbing Code (cUPC). If your regional requirements vary from the cUPC, please contact Brasstech Customer Service (949.417.5207) to discuss conformance options.
- B. The use of petroleum base plumbers putty on our products will nullify the warranty. We recommend the use of clear silicone sealing materials.
- C. If mounting the faucet to a stainless steel rim, an under-mount support, (e.g. wood, appropriate size x 1/2" thick), should be utilized.

1. Drill hole in mounting surface. Recommended deck hole $\varnothing 1.350$ " not to exceed $\varnothing 1.562$ ".
2. Place O-ring (2) on underside of BODY/ESCUTCHEON (1). **See Figure 1a.**
3. Insert Hoses through hole in mounting surface. **DO NOT** remove the HOSE (6) from SPOUT (4). **See Figure 2.** Secure into place with MOUNTING KIT (3). **See Figure 1.**
4. Attach hot/cold spout supply directly to valves in the wall. **See Figure 3.**
5. Attach WEIGHT (9) to HOSE (6) in the appropriate area shown, on the upward swing toward the SPRAYHEAD (5), in order to provide proper pull to the hose. **See Figure 5.**



⚠ Do NOT remove the zip tie.
Ensure the hose does not rub against the hot/cold supply lines during use; doing so may compromise hose integrity.



7A. Place a bucket below the OUTLET (8) and move the faucet handle to the open mixed position. **See Figure 4a.** Note: turn on the faucet by pulling the lever away from the faucet.

7B. In order to flush debris from the supply lines and prevent clogs inside the pulldown hose and spray head: Hold the bucket underneath the OUTLET (8), while slowly opening the supply stops to flush the lines. **See Figure 4b.**

7C. Return faucet handle to the off position, and carefully remove the bucket of water.

8. Connect HOSE (6) to the OUTLET (8). **See Figure 5.** Attach CLIP (7) to the connection between the HOSE (6) and OUTLET (8). **See Figure 5a.**

9. Check for leaks and SPRAYHEAD (5) function by turning the faucet on/off and operating the SPRAYHEAD trigger.

