

EAST SQUARE

Features

- Solid brass construction
- Bridge-style brass valve bodies
- Quarter-turn washerless ceramic disc valve cartridges
- Swivel spout assembly
- 11.21" (21.2 cm) spout height at outlet
- 9.00" (22.8 cm) spout reach (c-c)
- For 8.00" (20.3 cm) centers
- ADA Compliant
- 1.8 GPM (6.8 LPM) Max

Codes / Standards Compliance

Meets or exceeds the following at date of manufacture:

- ASME A112.18.1/CSA B125.1
- IAMPO/cUPC
- NSF/ANSI 61, SECTION 9
- NSF/ANSI 372
- IPC
- ADA & ICC/ANSI A117.1
- Energy Policy Act of 1992
- California Energy Commission
- All applicable US Federal and State material regulations

Colors / Finishes

- 10B: Oil Rubbed Bronze
- 15: Polished Nickel
- 15S: Satin Nickel - PVD
- 26: Polished Chrome
- Other: Refer to the Newport Brass catalog for additional color/finish options.

Bridge Style Kitchen Faucet

1400-5403



Specified Model

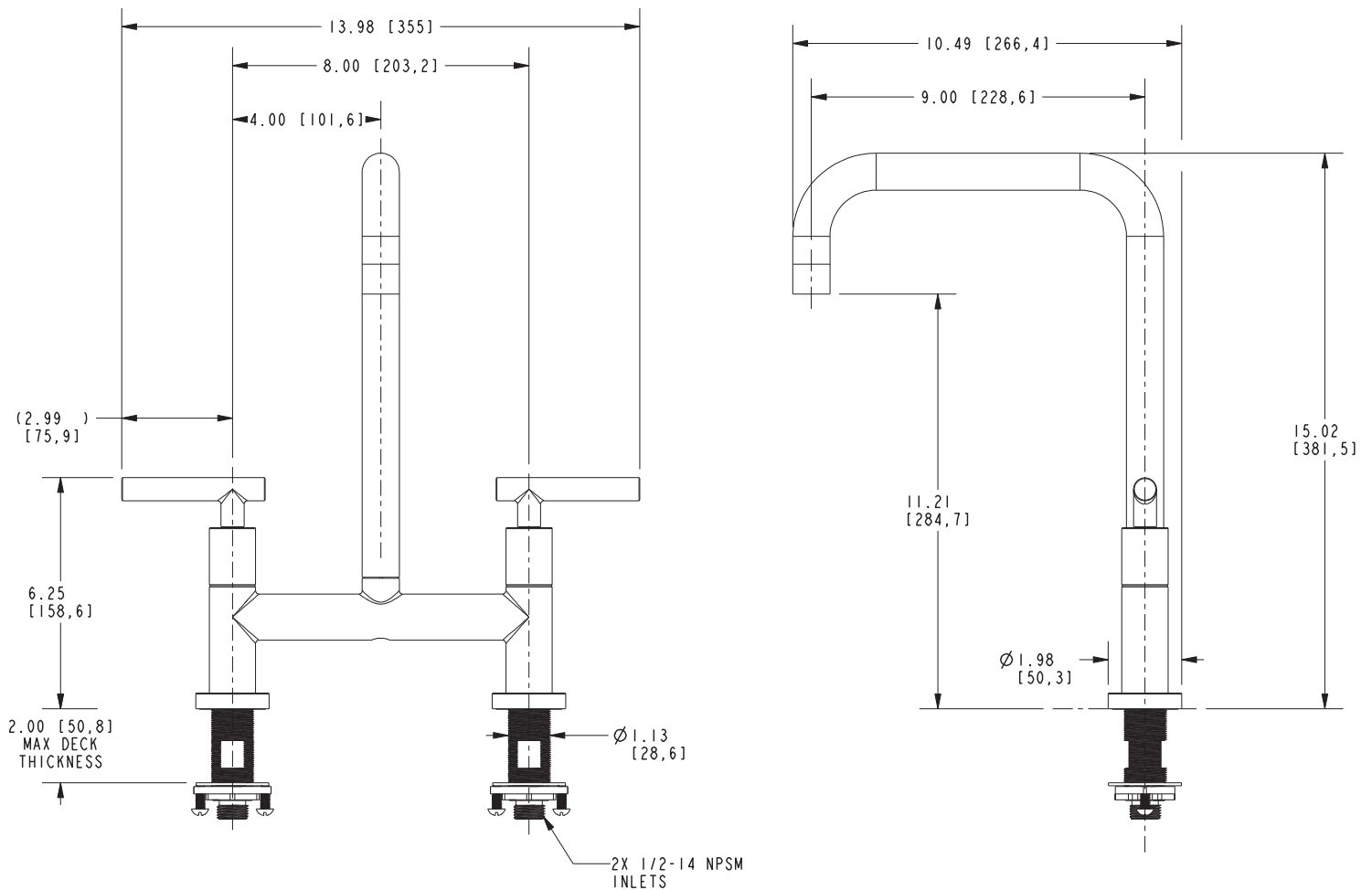
Model	Description	Colors Finishes
1400-5403	Bridge Style Kitchen Faucet	<input type="checkbox"/> 10B <input type="checkbox"/> 15 <input type="checkbox"/> 15S <input type="checkbox"/> 26 <input type="checkbox"/> Other

Product Specification Add "Color / Finish" suffix to Model number, below.

The Bridge Style Kitchen Faucet shall be made of solid brass construction. Faucet shall incorporate a swivel spout assembly and feature bridge-style brass valve bodies with quarter-turn washerless ceramic disc valve cartridges. Faucet shall have a 1.8 gallons (6.8 liters) per minute maximum flow rate. Product shall be for 8.00" (20.3 cm) centers. Product shall incorporate a 11.21" (28.5 cm) spout height at outlet and a 9.00" (22.8 cm) spout reach (c-c). Faucet shall incorporate traditional lever handles. Bridge-Style Kitchen Faucet with Sidespray shall be Newport Brass Model 1400-5403/____ .

1400-5403

PRODUCT DIMENSIONS *(Units are in inches)*



East Square Bridge Style Kitchen Faucet 1400-5403