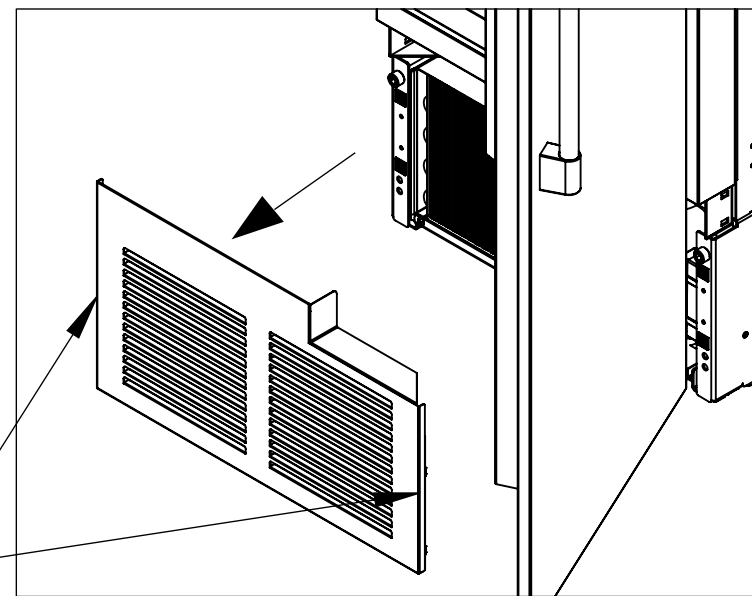
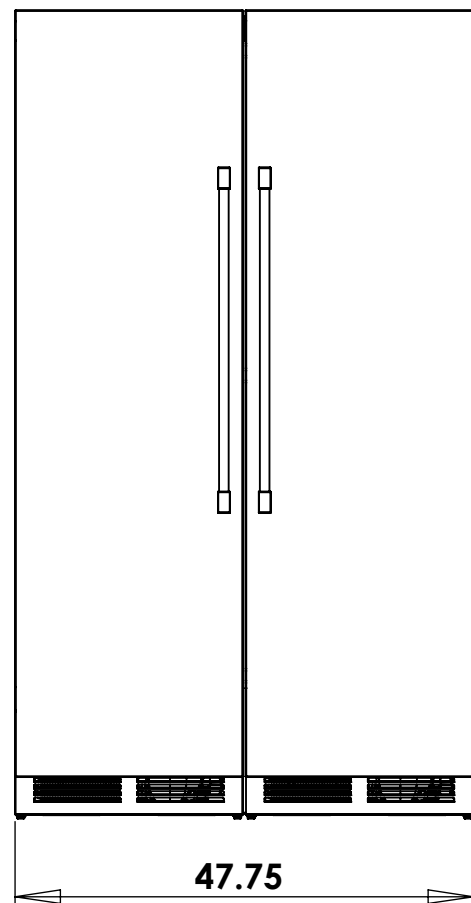
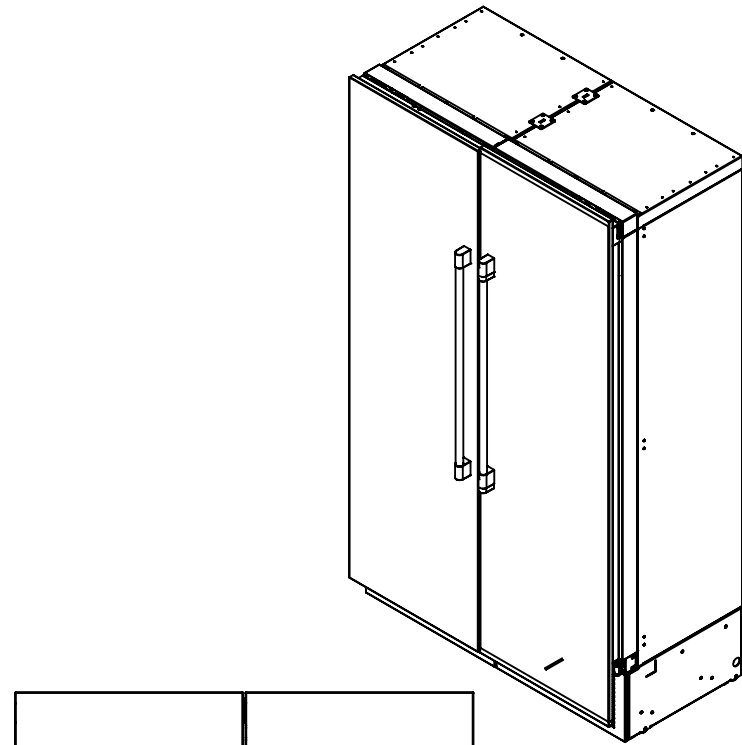
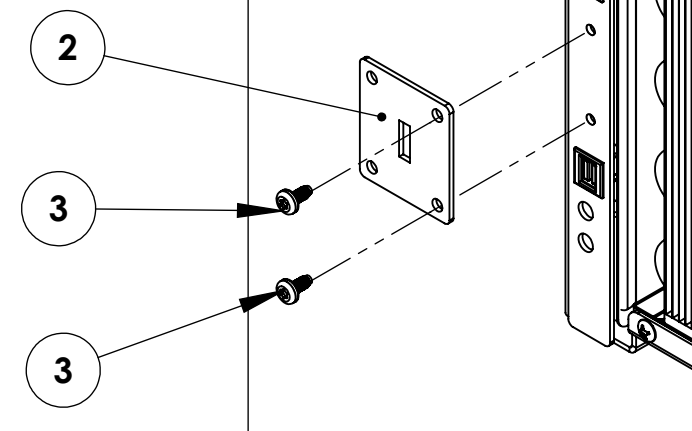
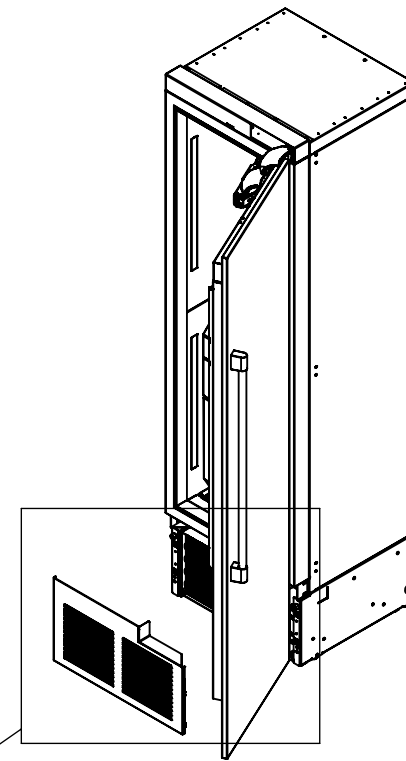


PERLICK ACCESSORY KIT INSTRUCTIONS FOR CR-ACC-D1N

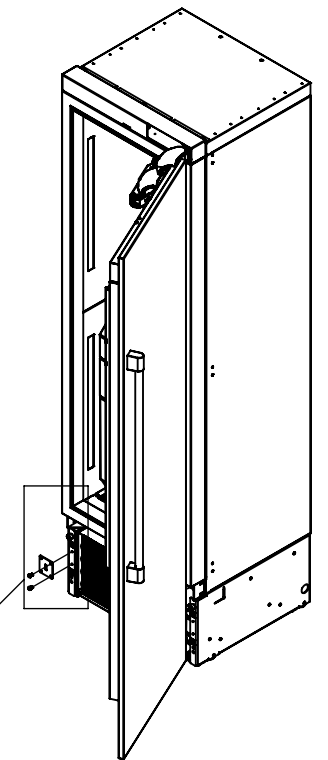
DUAL INSTALLATION KIT WITH NO HEATER (HANDLE TO HANDLE OR HINGE TO HINGE)



STEP #1: OPEN THE DOORS TO THE CABINETS. GRAB BOTH SIDES OF THE FRONT GRILL PLATE AND PULL STRAIGHT OUT IN ORDER TO POP THE CLIPS OUT OF THE LATCHES. DO THIS TO BOTH CABINETS.



STEP #2: SELECT THE CABINET THAT WILL BE PLACED ON THE RIGHT SIDE. SECURE (1) 1013719-1 TO THE FRONT BASE WITH (2) 1008781 SCREWS



ADDED TITLE & HANDLE VIEW

C	1/17/2019	KDS
47.75" WAS 49.00"		
B	1/17/2019	KDS
NEW RELEASE		
A	5/26/2018	

REVISIONS

SCALE: 1:50
DR.: KDS DATE: 5/26/2018

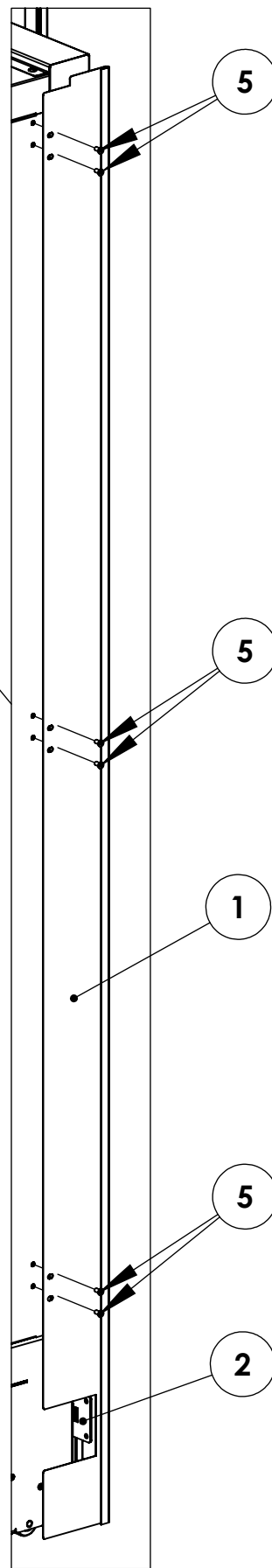
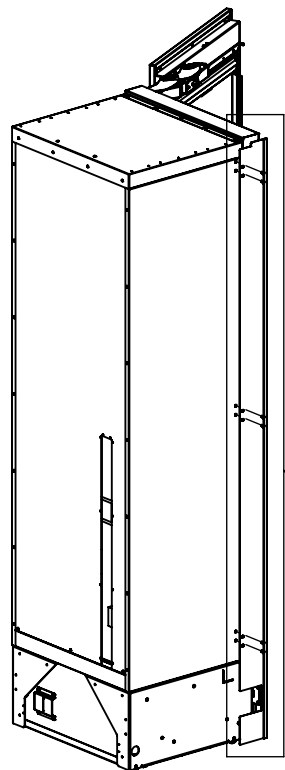
1017886
SHEET 1 OF 2

ITEM NO.	PART NUMBER	DESCRIPTION	Default/QTY.
1	1015035-1	CENTER TRIM, SIDE BY SIDE INSTALL, COLUMN	1
2	1013719-1	BRACKET, ATTACHING, COLUMN, FOR SIDE BY SIDE INSTALLS	4
3	1008781	SCREW, M6 X 12MM, THRD	8
4	M50050-466	#10 X 1/2" PH Truss Head SMS #410 S.S., Type "AB",	8
5	1010546	M5x10 MACH SCR, LOW HEAD, NBK PART NO: SSH-M5-10	6
8	1006628-4R	OVERLAY, SOLID SS, 4" TOE KICK, RH, 24" COLUMN	1



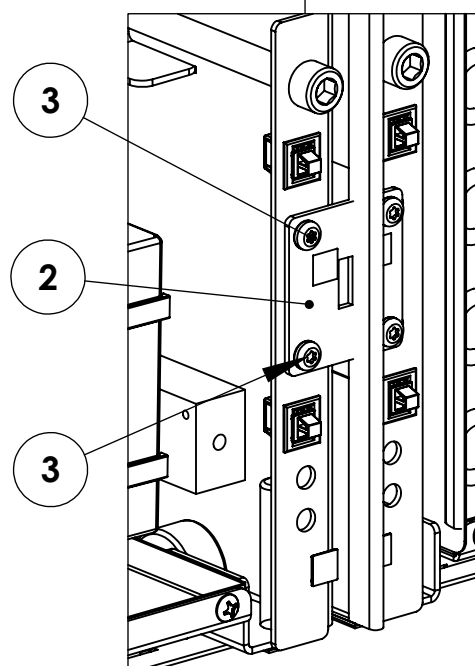
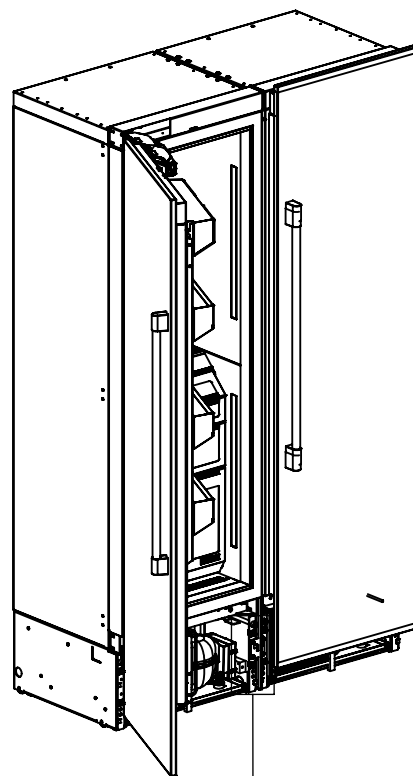
PERLICK CORPORATION
MILWAUKEE, WI 53223

PROPERTY OF THE PERLICK CORP.
NOT TO BE COPIED OR USED DETRIMENTAL TO OUR INTERESTS



STEP #3: REMOVE ALL PROTECTIVE FILM FROM THE CENTER TRIM (1015035-1).

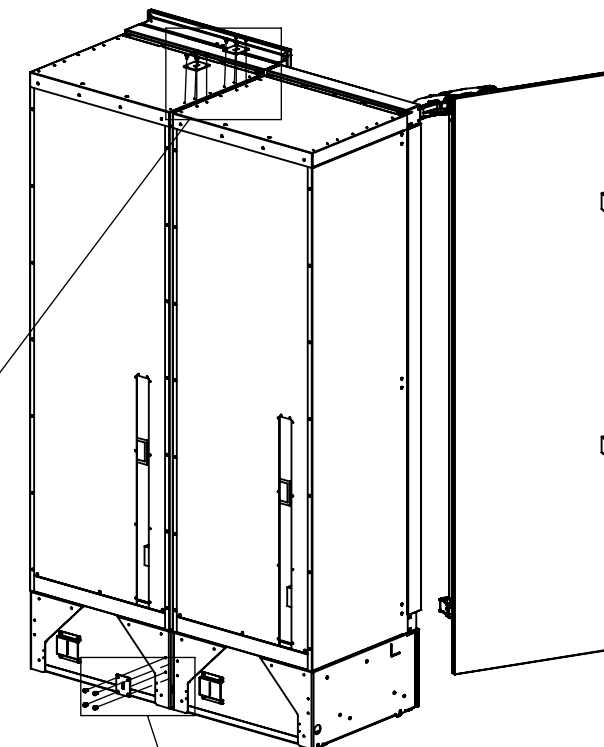
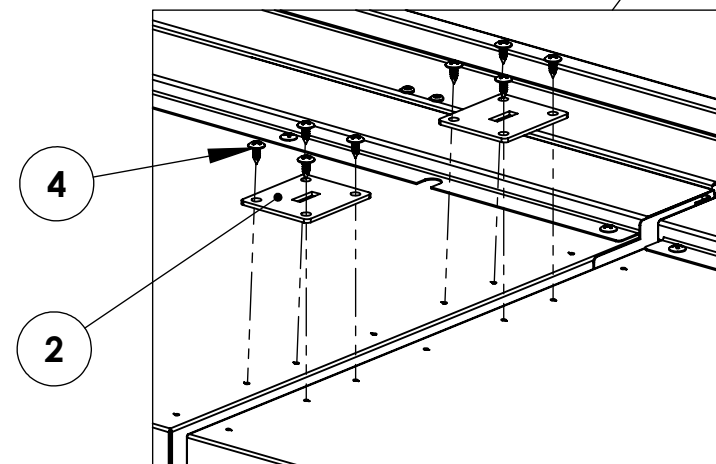
STEP #4: ATTACH THE CENTER TRIM TO LEFT SIDE OF THE CABINET THAT WILL BE ON THE RIGHT, WITH (6) 1010546. BEFORE FULLY TIGHTENING SCREWS, MAKE SURE THE CENTER TRIM SITS FLUSH WITH THE CABINET FACE.



STEP #5: MOVE BOTH CABINETS DIRECTLY NEXT TO EACH OTHER SO THAT THE LEFT CABINET COMES IN CONTACT WITH THE CENTER TRIM.

STEP #6: SECURE BOTH CABINETS TOGETHER BY SECURING THE "ATTACHING BRACKET (1013719-1)," PREVIOUSLY SECURED TO THE RIGHT CABINET, TO THE LEFT CABINET WITH (2) 1008781 SCREWS.

STEP #7: SECURE BOTH CABINETS TOGETHER AT THE TOP WITH (2) 1013719-1 AND (8) M50050-466



STEP #8: SECURE BOTH CABINETS TOGETHER AT THE BACK WITH (1) 1013719-1 AND (4) 1008781

STEP #9: ONCE ALL BRACKETS HAVE BEEN SECURED IN PLACE, ATTACH THE FRONT GRILLS BACK ONTO THE UNIT.



**PERLICK CORPORATION
MILWAUKEE, WI 53223**

PROPERTY OF THE PERLICK CORP.
NOT TO BE COPIED OR USED DETRIMENTAL TO OUR INTERESTS

SCALE: 1:50

DR.: KDS DATE: 5/26/2018

1017886

SHEET 2 OF 2