



24" SINGLE CABINET*

Perlick Features

- Can be used as a stand-alone cabinet with stainless steel top and sides or built into cabinetry with galvanized top and sides
- All polished stainless steel interior
- Variable Capacity Compressor for quiet operation, greater energy efficiency, more stable temperatures, and greater temperature pull down capability
- Front vented, forced air refrigeration system
- Freezer equipped with automatic hot gas defrost for maintenance-free defrosting
- Electronic digital control and temperature readout
- Adjustable cantilever shelving allows for customized shelving heights to match your cooling needs
- Wood overlay door kits allow for fully integrated appearance with surround cabinetry (optional)
- Wine Cabinet models feature black vinyl coated roll-out racks for storage of 42 bottles on racks and additional bottles in the lower wine display/storage area
- Two (2) year full warranty on complete unit
Additional four year limited warranty on the sealed refrigeration system
- Full extension pull-out shelves allow easy storage and access to refrigerated goods (optional glass door refrigerator units only)
- Full extension pull-out drawers allow easy storage and access to larger and heavier goods
- Glass doors protect goods from UV light in outdoor applications
- Recessed interior lighting protects from accidental collision of goods with light bulb
- Door locks prevent unwated access
- Reversible doors allow door swing from either left or right as desired
- Beverage center has wine racks for up to 16 bottles, and a full extension shelf



FREEZER



REFRIGERATOR



WINE COOLER



DRAWER-STYLE REFRIGERATOR



BEVERAGE CENTER

SIZES & SPECIFICATIONS



H1F-B	24" Freezer Built In
H1F-S	24" Freezer All Stainless
H1F-O	24" Freezer Outdoor
H1R-B	24" Refrigerator Built In
H1R-S	24" Refrigerator All Stainless
H1R-O	24" Refrigerator Outdoor
H1W-B	24" Wine Built In
H1W-S	24" Wine All Stainless
H1W-O	24" Wine Outdoor
H1B-B	24" Beverage Center Built In
H1B-S	24" Beverage Center All Stainless
H1B-O	24" Beverage Center Outdoor

Door Options

Solid stainless steel

Wood overlay kit

Glass with stainless steel trim (not freezer)

Glass with wood trim kit (not freezer)

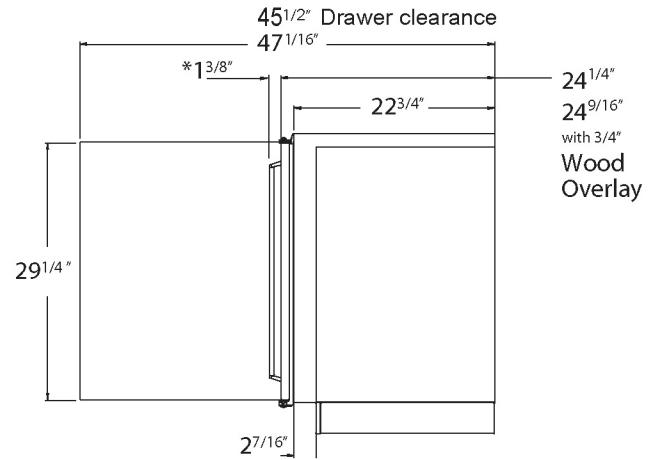
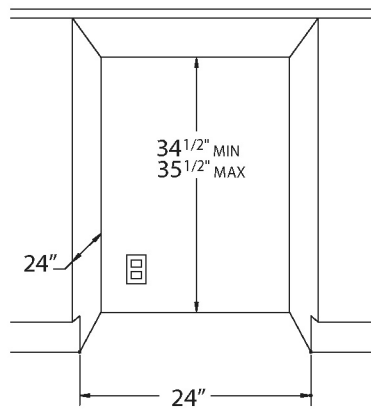
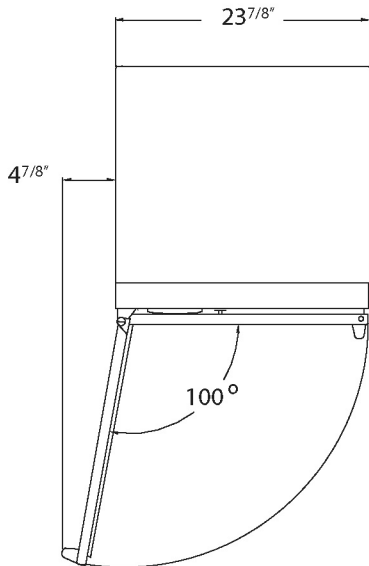
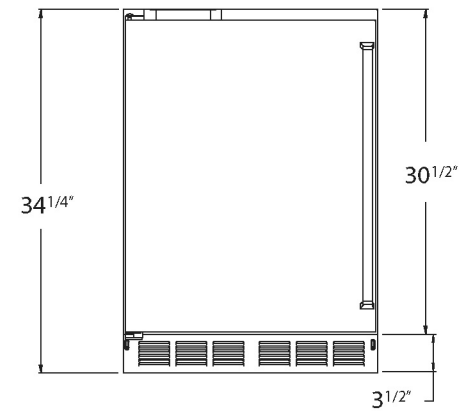
Electrical 115V, 60Hz., 1 phase AC, 3 amps.

Plumbing None required - condensate evaporates automatically

Door Hinging Field reversible doors

Shipping Weight 145 lbs.

Refrigerated Vol. 4.9 cubic ft



* Perlick supplied door handle

