

Perlick® 24" ADA-COMPLIANT SERIES REFRIGERATOR



eco friendly
R600a Refrigerant



JOB	
AREA	
ITEM NO.	
MODEL NO.	



Glass Door Model



Solid Door Model

MODELS	DESCRIPTION
HA24RB-4-1R/L	Indoor ADA Refrigerator Solid Stainless Steel Door
HA24RB-4-2R/L	Indoor ADA Refrigerator Solid Panel Ready Door
HA24RB-4-3R/L	Indoor ADA Refrigerator Stainless Steel Glass Door
HA24RB-4-4R/L	Indoor ADA Refrigerator Panel Ready Glass Door

KEY PRODUCT FEATURES AND BENEFITS

- Industry’s largest selection of ADA compliant models for accessible and aging in place designs
- 800 BTU/hr capacity delivers commercial grade cooling performance
- Variable speed compressor minimizes sound, up to 30% quieter than competitors
- Commercial-grade all stainless steel interior provides superior durability and easy cleaning; black vinyl exterior for built in applications
- Full extension shelving provides faster and safer product access with no reaching in the back of the cabinet; shelves fully extend on vibration dampened stainless steel ball bearing glides

Quick Features:

- Industry’s best full 6 year warranty for owner ease of mind
- Available with stainless steel or panel ready door to match your design style
- Audible door alarm warns user if door is held open
- Selectable blue or white LED lighting
- R600a Natural Refrigerant offers maximum energy efficiency with zero global warming potential
- Storage for up to 108 cans



**24" ADA-COMPLIANT SERIES
REFRIGERATOR**

MODEL NUMBERS		HA24RB
MODEL DESCRIPTION		24" Indoor Refrigerator
ATTRIBUTES		
Perlick Anti-Condensation System		NO
Energy Star Certified		YES
OVERALL DIMENSIONS	Width - in. (mm)	23-7/8" (606 mm.)
	Depth - in. (mm)	24" (610 mm.)
	Height - in. (mm)	32" (813 mm.)
OPENING DIMENSIONS	Width - in. (mm)	24" (610 mm.)
	Depth - in. (mm)	24-7/8" (632 mm.)
	Height - in. (mm)	32-1/4" (819 mm.)
INTERNAL VOLUME Net. Cu. Ft. (L)		4.8 cu. ft total
SHIPPING WEIGHT Lbs. (kg.)		181 lbs (82.27 kg.)
ELECTRICAL SPECIFICATIONS	Electrical Supply	115 VAC/60 Hz/1 Ph
	Running Load Amps	2.2 amps
	Electrical Connection	Cord connected
	Cord Plug Type	NEMA 3 Prong 5-15P
	Cord Length	6'
	Defrost Initiation	Automatic
	Defrost Type	Off cycle
	Thermostat	Digital
	Lighting Type	LED
REFRIGERATION SPECIFICATIONS	Refrigerant	R600a (50g)
	Expansion Device	Capillary Tube
	Temperature Settings F (C)	33° (0.5) - 48° (8.8) Factory Set Point 36°(2.2°)
	Heat Rejection (at 75°F)	450 BTU/hr
	Pull Down Capacity	800 BTU/hr
	Front Vented	Yes
PLUMBING		None Required

Installation Notes: To achieve 24" install depth, you must recess the outlet 7/8" into the wall directly behind the unit, or place electrical connection adjacent to the installation cavity.

ACCESSORIES

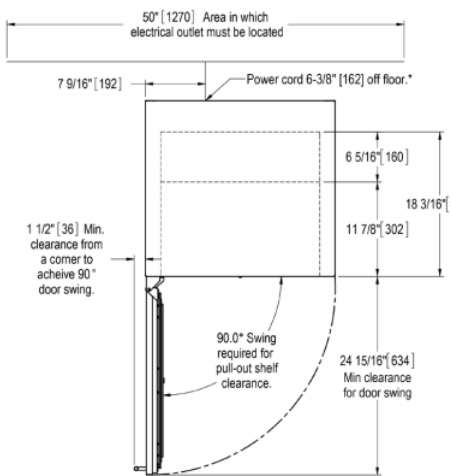
MODEL NOS.	DESCRIPTION
(L)	Factory Installed Lock
67164	6" Toe Kick Kit (includes riser) for HA24 models
66736	Caster Kit for HP24/HC24/HA24 models
RS-24-24D	Divider Shelf for HP24/HC24/HA24 models

Perlick accessories are available for purchase through an authorized Perlick dealer. For a full list of accessories and to find a dealer near you, visit perlick.com



24" ADA-COMPLIANT SERIES
REFRIGERATOR

CUSTOMER MODEL NUMBER	REGULATORY MODEL NUMBER	Hinge Side	Lock
HA24RB-4-1L	HA24RB4C-00-SLSOR	Left	No
HA24RB-4-1R	HA24RB4C-00-SRSOR	Right	No
HA24RB-4-2L	HA24RB4C-00-PL0OR	Left	No
HA24RB-4-2R	HA24RB4C-00-PR0OR	Right	No
HA24RB-4-3L	HA24RB4C-00-TLSOR	Left	No
HA24RB-4-3R	HA24RB4C-00-TRSOR	Right	No
HA24RB-4-4L	HA24RB4C-00-RL0OR	Left	No
HA24RB-4-4R	HA24RB4C-00-RR0OR	Right	No
HA24RB-4-1LL	HA24RB4C-00-SLSLR	Left	Yes
HA24RB-4-1RL	HA24RB4C-00-SRSLR	Right	Yes
HA24RB-4-2LL	HA24RB4C-00-PL0LR	Left	Yes
HA24RB-4-2RL	HA24RB4C-00-PR0LR	Right	Yes
HA24RB-4-3LL	HA24RB4C-00-TLSLR	Left	Yes
HA24RB-4-3RL	HA24RB4C-00-TRSLR	Right	Yes
HA24RB-4-4LL	HA24RB4C-00-RL0LR	Left	Yes
HA24RB-4-4RL	HA24RB4C-00-RR0LR	Right	Yes



Door Models

