



# Deluxe

70" H sliding shower door with 1/8"-thick glass  
**572115-G10**

### Features

- Reversible top track and towel bar allow a choice between rounded or accented design.
- Tempered glass ensures enhanced safety and durability.
- Continuous guide mechanism for smooth, quiet sliding action and easy cleaning.

### Material

- Framed, 1/8" (3 mm) thick Pebbled tempered glass.
- Anodized aluminum prevents rust and corrosion.

### Installation

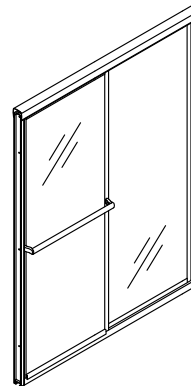
- Fits opening widths 54-3/8" - 59-3/8" (1381 - 1508 mm).
- 70" (1778 mm) high, with 67-3/4" (1721 mm) minimum head clearance.
- 3/8" (10-mm) out-of-plumb adjustability on each side simplifies installation.
- Door can be installed to open to the left or right to suit your bathroom layout.
- For residential use only.
- Not for use in hospitality.

### Recommended Products/Accessories

K-23723 Faucet cleaner

### Included Components

Additional Components:  
Hardware kit



### Codes/Standards

ANSI Z97.1  
CPSC 16CFR 1201

### STERLING® One-Year Limited Warranty

See website for detailed warranty information.

### Available Colors/Finishes

*Color tiles intended for reference only.*

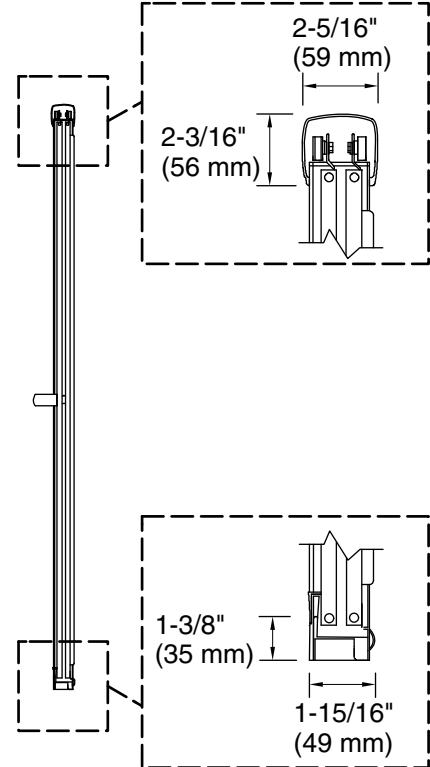
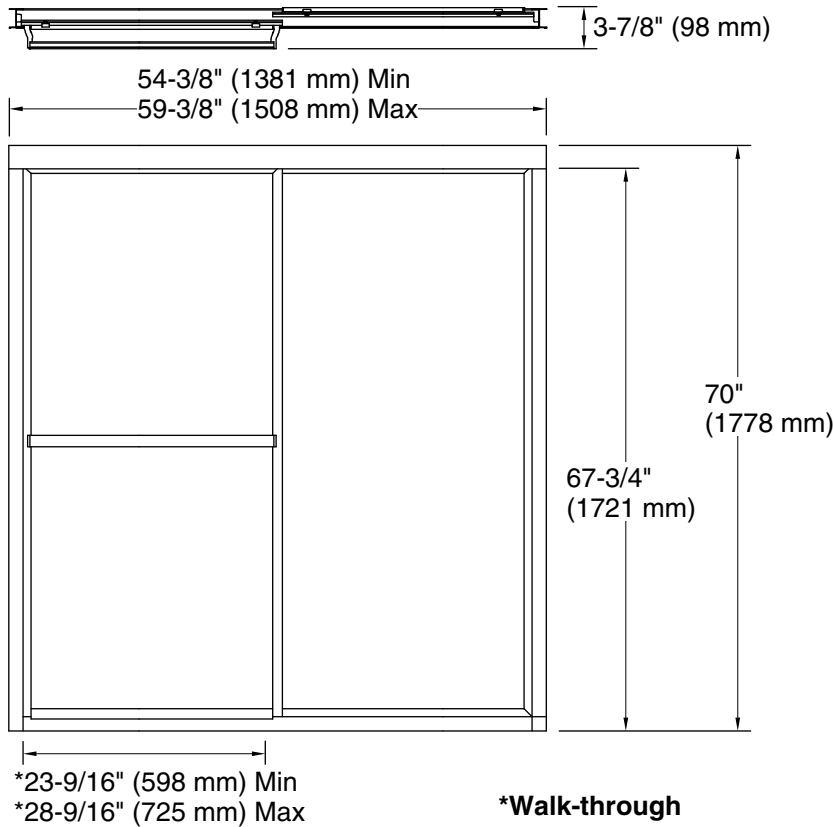
Color	Code	Description
-------	------	-------------

N

### Available Glass Options

Code	Description
------	-------------

G10 Pebbled



**Technical Information**

All product dimensions are nominal.

- Installation type: For shower base installation
- Opening Width - Min: 54-3/8" (1381 mm)
- Opening Width - Max: 59-3/8" (1508 mm)
- Walk-through - Min: 23-9/16" (598 mm)
- Walk-through - Max: 28-9/16" (725 mm)
- Base-To-Wall Radius - Max: 1/2" (13 mm)
- Glass thickness: 1/8" (3 mm)

**Notes**

The vertical opening should be a minimum of 71-1/2" (1816 mm) to allow for installation clearance.