



## 63" ADA Shower with Seat and Grab Bars 62070115



### Features

- Alcove installation
- 1/2" threshold
- Solid Vikrell material
- Durable swirl-gloss finish
- Center drain
- Three-piece, tongue-and-groove walls with snap-together installation
- Caulk required
- Fold-down seat with stainless steel supports on right, grab bars at left and back

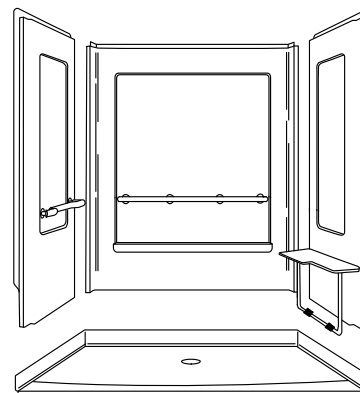
### Included Components

Product consists of:

62055115 39" Shower End Wall Set with Seat and Grab Bar

62061100 63" Shower Base

62062103 63" Shower Back Wall w/Grab Bar



ADA

### Codes/Standards

CSA B45.5/IAPMO Z124

ASTM E162

ASTM E662

Greenguard UL 2818 - Gold

ADA

ICC/ANSI A117.1

HUD, UM Bulletin 73

### Warranty – Bathing Fixtures (and) Kitchen and Utility Sinks Made of Solid Vikrell® Material

**STERLING® Warranty - Bathing &  
Showering Seats**

**STERLING® Warranty - Grab Bars**

See website for detailed warranty information.

### Available Colors/Finishes

*Color tiles intended for reference only.*

Color	Code	Description
-------	------	-------------



0 White



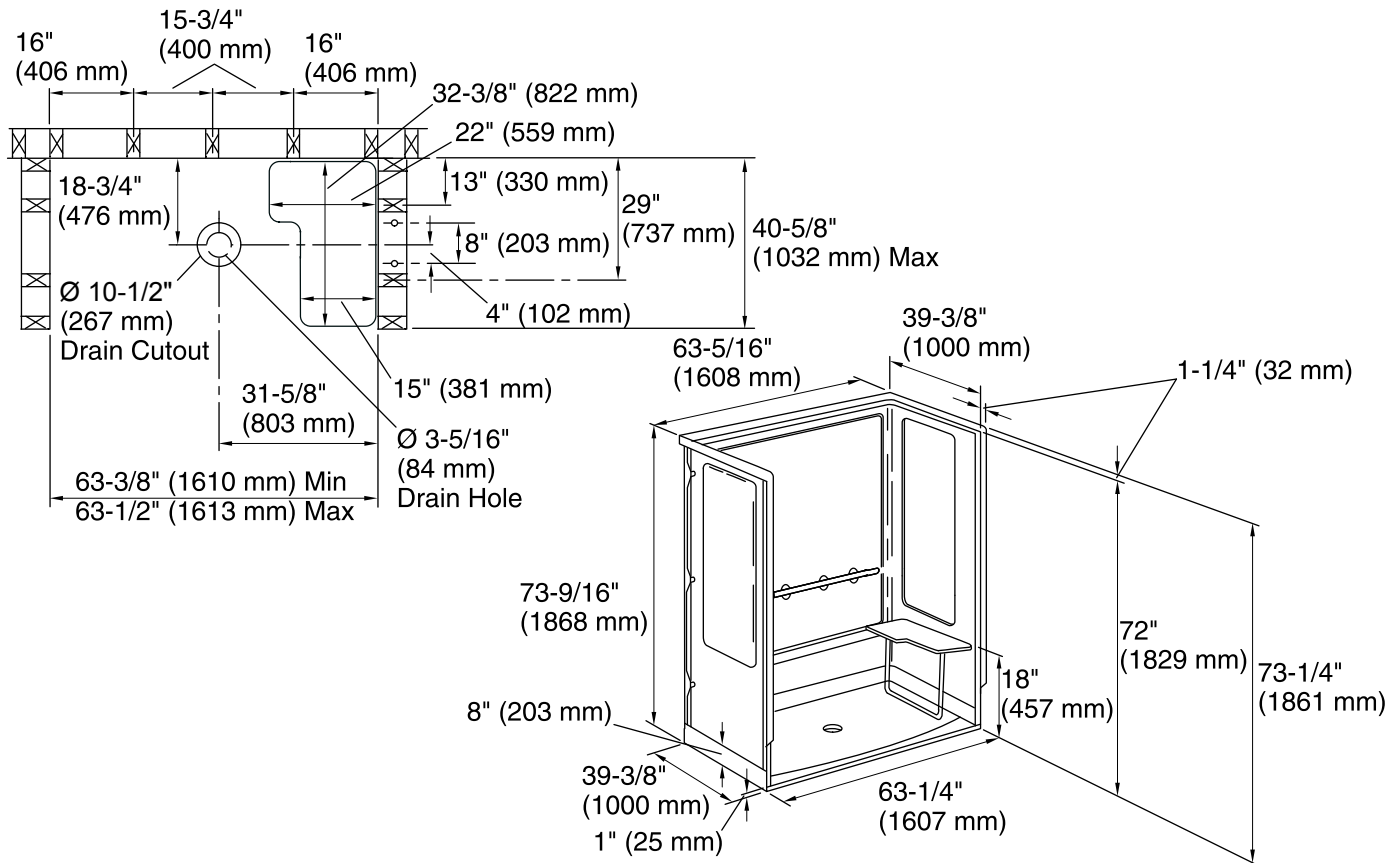
96 KOHLER Biscuit

1-800-STERLING (1-800-783-7546)

Kohler Co. reserves the right to make revisions without notice to product specifications.

For the most current Specification Sheet, go to [www.sterlingplumbing.com](http://www.sterlingplumbing.com).

4-25-2019 23:25 - US



### Technical Information

All product dimensions are nominal.

Installation: Three-wall alcove

Drain location: Center

Threshold height: 1/2" (13 mm)

### Notes

Install this product according to the installation instructions.

1/2" minimum finished floor thickness required. Studs should be positioned as shown.

Backerboards and fasteners protrude beyond the back wall 1-1/2" (38 mm). If installing this product against wall board, 1-1/2" (38 mm) furring strips installed over the wall board are recommended. The stud pocket depth of 40-5/8" (1032 mm) will need to be increased by the combined thickness of the wall board and furring strips.

Drain cutout in subfloor to be 10-1/2" (267 mm) per rough-in illustration as shown to allow the backside of the drain to sit below the subfloor surface.

ADA compliant when installed to the specific requirements of these regulations.