



STORE+®

60" bath/shower w/ AIP backerboards
71470116



Features

- Tongue-and-groove modular design allows for easy installation during any phase of construction.
- Includes four rimmed shelves, two caddies, two hooks, and two soap dishes with towel bar.
- Dishwasher-safe shelves and bins snap into place; no tools required.
- Holds up to 30 bottles.
- Easy-to-clean, durable high-gloss finish.
- Factory-installed Aging in Place backerboards for future grab bar installation.

Material

- Compression molded from our exclusive solid Vikrell® material.

Installation

- Alcove.
- Caulk-free installation.
- Left drain.

Recommended Products/Accessories

- K-23726 Drain treatment
- K-23733 Vikrell® cleaner

Included Components

Product consists of:

71171110

Additional Components:

10-piece Accessory Kit



Codes/Standards

- CSA B45.5/IAPMO Z124
- ASTM E162
- ASTM E662
- HUD, UM Bulletin 73


STERLING® Vikrell® or Acrylic Baths and Shower Bases Ten-Year Limited Warranty

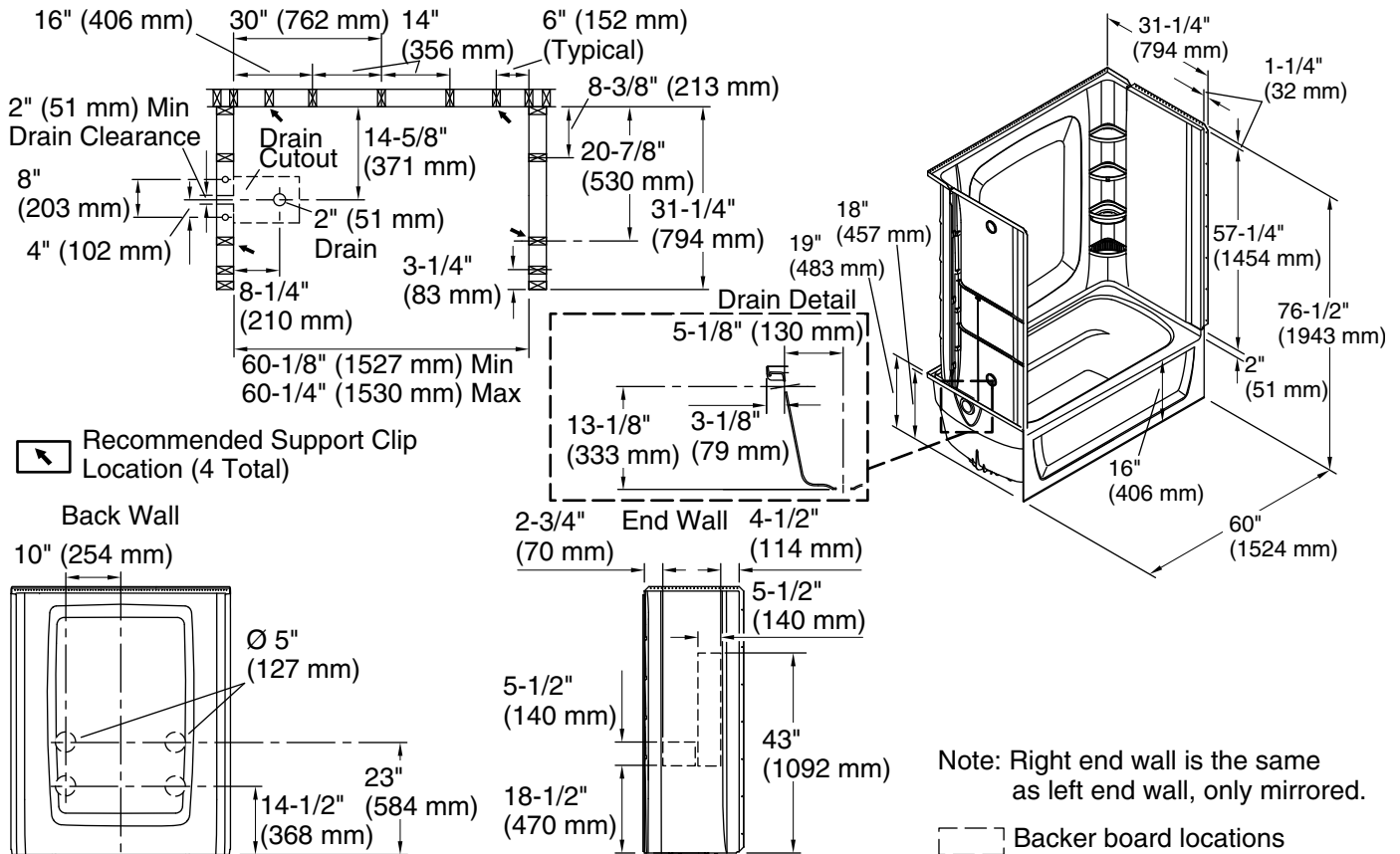
See website for detailed warranty information.

Available Colors/Finishes

Color tiles intended for reference only.

Color Code Description

	0	White
---	---	-------



Note: Right end wall is the same as left end wall, only mirrored.

Backer board locations

Technical Information

All product dimensions are nominal.

- Installation: Three-wall alcove
- Drain location: Left
- Basin area, bottom: 45" x 20" (1143 mm x 508 mm)
- Basin area, top: 53" x 23" (1346 mm x 584 mm)
- Weight: 138 lbs (62.6 kg)
- Water depth: 11-1/4" (286 mm)
- Water capacity: 44 gal (166.6 L)
- Maximum door height: 59" (1499 mm)
- Maximum door width: 57-11/16" (1465 mm)

Notes

- Install this product according to the installation instructions.
- Studs should be positioned roughly as shown.
- Double studding is recommended for pivot shower door installations.
- Attach grab bars at the specified backerboard locations only.