



# STORE+®

## 60" x 30" shower with AIP backerboards

### 72470126



#### Features

- Tongue-and-groove modular design allows for easy installation during any phase of construction.
- Includes four rimmed shelves, two bins, two shower hooks, and two soap dishes with towel bar.
- Dishwasher-safe shelves and bins snap into place; no tools required.
- Holds up to 30 bottles.
- Easy-to-clean, durable high-gloss finish.
- Shaving ledge/footrest for added comfort.
- Factory-installed Aging in Place backerboards for future grab bar installation.

#### Material

- Compression molded from our exclusive solid Vikrell® material.

#### Installation

- Alcove.
- Caulk-free installation.
- Right drain.

#### Recommended Products/Accessories

K-23733 Vikrell® cleaner

#### Included Components

Product consists of:

72171120  
72332106  
72475106

Additional Components:

10-piece Accessory Kit



#### Codes/Standards



CSA B45.5/IAPMO Z124  
ASTM E162  
ASTM E662  
HUD, UM Bulletin 73

#### STERLING® Vikrell® or Acrylic Baths and Shower Bases Ten-Year Limited Warranty

See website for detailed warranty information.

#### Available Colors/Finishes

*Color tiles intended for reference only.*

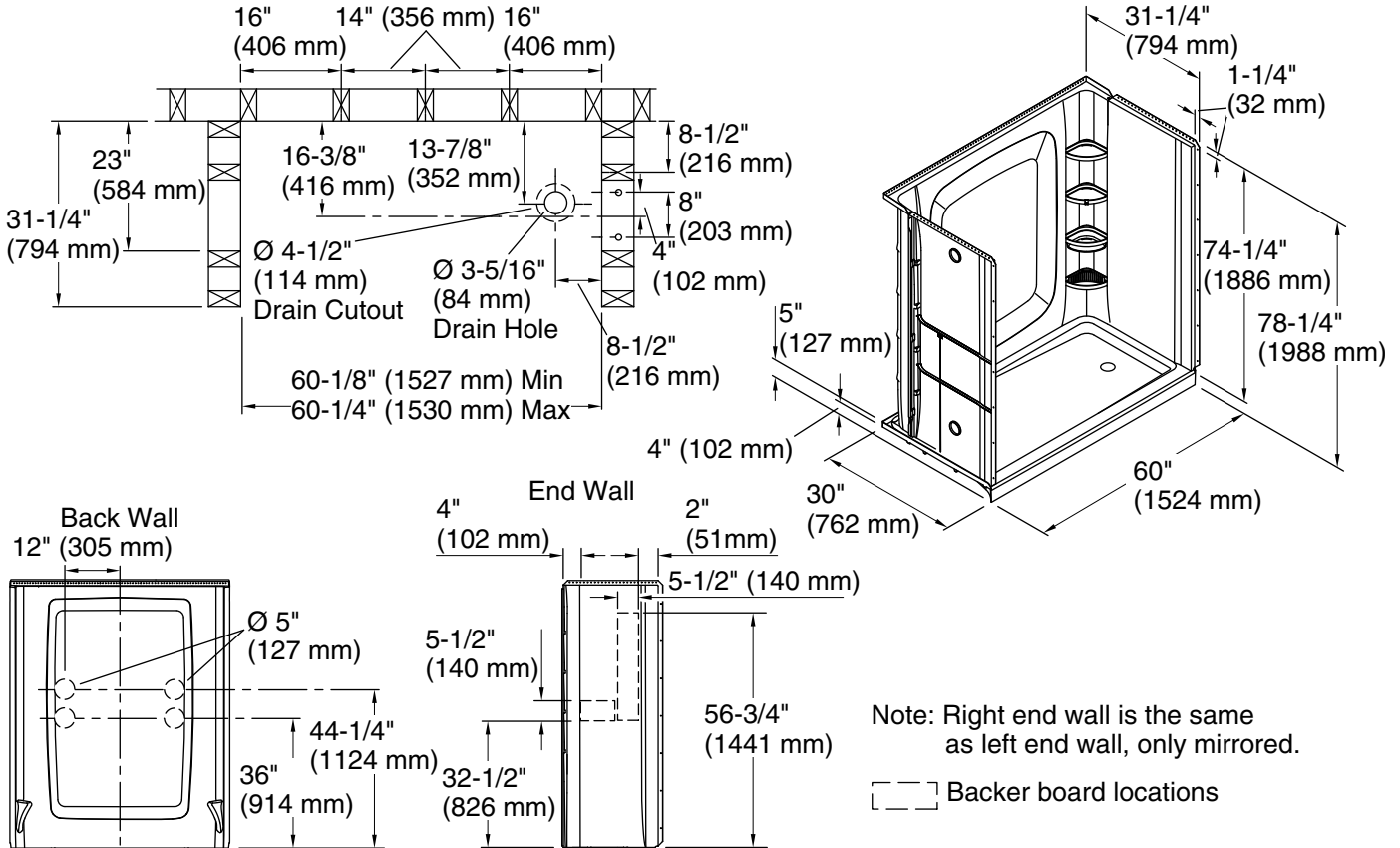
Color	Code	Description
	0	White
	96	KOHLER Biscuit

1-800-STERLING (1-800-783-7546)

Kohler Co. reserves the right to make revisions without notice to product specifications.

For the most current Specification Sheet, go to [www.sterlingplumbing.com](http://www.sterlingplumbing.com).

12-29-2021 11:05 - US/CA



**Technical Information**

All product dimensions are nominal.

Installation:	Three-wall alcove
Weight:	141 lbs (64 kg)
Maximum door height:	73" (1854 mm)
Maximum door width:	56-5/8" (1438 mm)

**Notes**

- Install this product according to the installation instructions.
- Studs should be positioned roughly as shown. Double studding is recommended for pivot shower door installations.
- Attach grab bars at the specified backer board locations only.