

Features

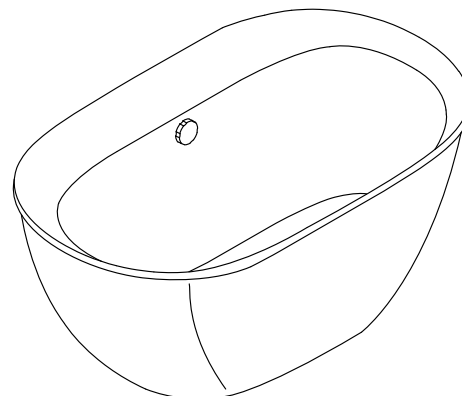
- Freestanding design creates a striking focal point in your bathing area.
- Fluted-shaped basin offers a graceful and spacious bathing experience.
- 16" depth offers a deep soaking experience.
- Sloped lumbar support on both ends.
- Extra-wide deck simplifies installation of faucet and overflow.
- 3.75" drain-to-floor clearance for above-floor drain installation.
- Bottom surface manufactured with textured appearance.

Material

- Acrylic.

Installation

- Center rear drain.



Codes/Standards

CSA B45.5/IAPMO Z124
ASTM E162
ASTM E662


Warranty – Bathing Fixtures (and) Kitchen and Utility Sinks Made of Solid Vikrell® Material

See website for detailed warranty information.

Available Colors/Finishes

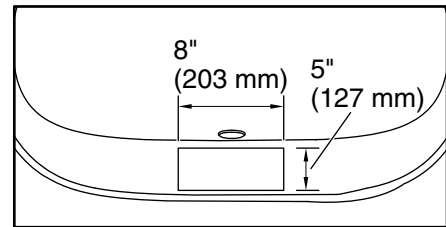
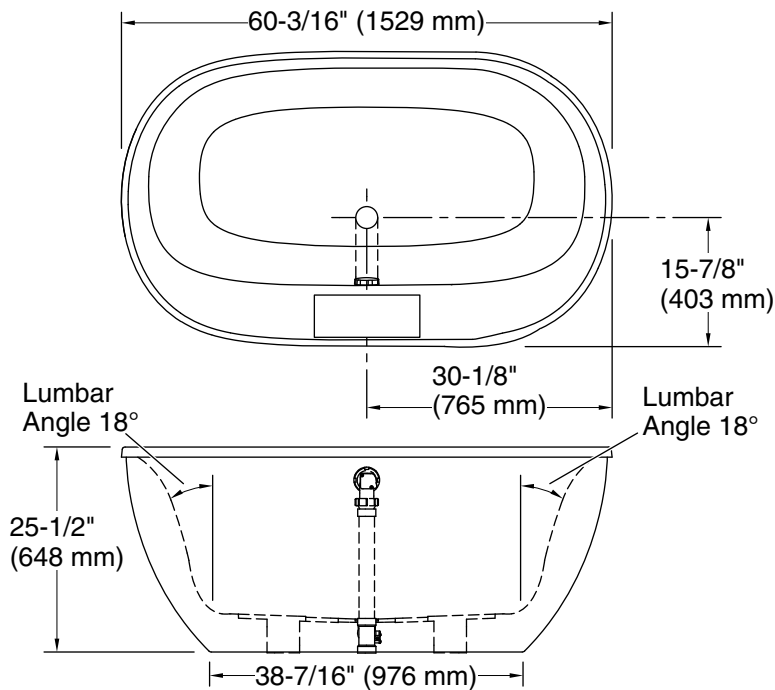
Color tiles intended for reference only.

Color	Code	Description
-------	------	-------------

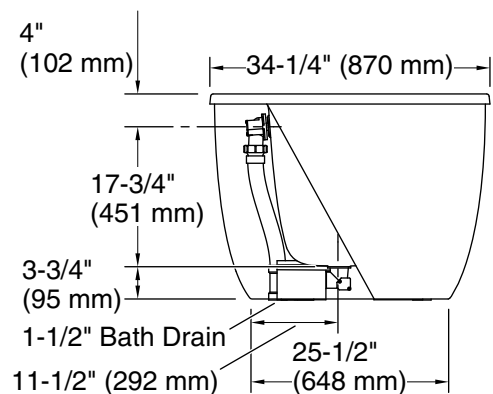
	0	White
--	---	-------

No change in measurements if connected with KOHLER drain illustrated. (K-7213)

□ Recommended Faucet Location



Recommended Faucet Hole Location



Technical Information

All product dimensions are nominal.

- Installation: Freestanding
- Drain location: Center rear
- Basin area, bottom: 39-9/16" x 20-1/4" (1005 mm x 515 mm)
- Basin area, top: 53-1/2" x 24-3/4" (1359 mm x 629 mm)
- Water depth: 15-7/8" (403 mm)
- Water capacity: 59.34 gal (224.6 L)

Notes

Install this product according to the installation instructions.

Measure your actual product for roughing-in details.

The hot water supply should be 70% of the capacity of the bath or greater. Installations will vary.

This bath is designed for freestanding installation only.

If installing a rim-mount faucet, make sure there is no interference above or below the deck before drilling any holes.