



## Drop-in/Under-mount Bathroom Sink **S1201-0**

### Features

- Drop-in or under-mount installation
- 20-gauge stainless steel with mirror finish
- No faucet holes; accommodates either a wall-mount or countertop faucet
- Center drain, no overflow

### Included Components

Product consists of:

1069536 Mounting Hardware for Under-mount Installation



### Codes/Standards

None Applicable

### STERLING® Warranty - Stainless Steel Sinks

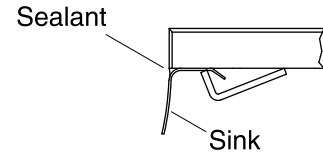
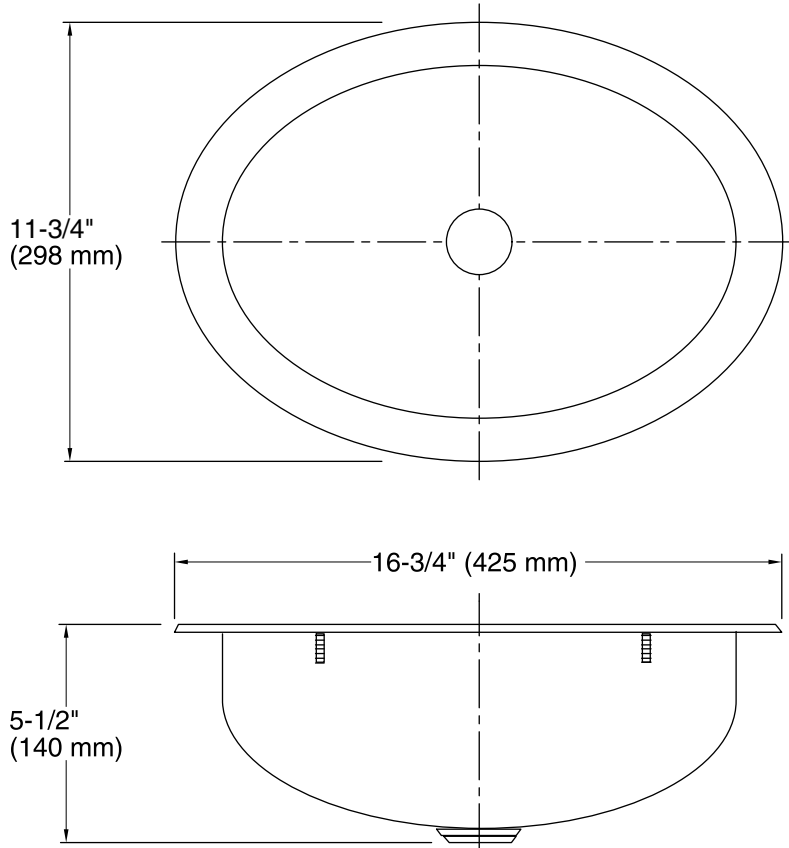
See website for detailed warranty information.

### Available Colors/Finishes

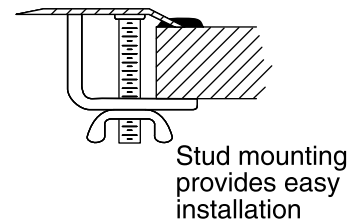
*Color tiles intended for reference only.*

Color	Code	Description
-------	------	-------------

N/A



**Under-mount Installation**



**Drop-in Installation**

**Technical Information**

All product dimensions are nominal.

- Bowl configuration: Single
- Installation: Drop-in, Under-mount
- Bowl area (Only): Length: 14-11/16" (373 mm)  
Width: 9-11/16" (246 mm)  
Water depth: 4-1/2" (114 mm)
- Drain hole: 1-1/2" (38 mm)
- Template: 1033124-7, required, included

**Notes**

Install this product according to the installation instructions.  
Measure your actual product for roughing-in details.