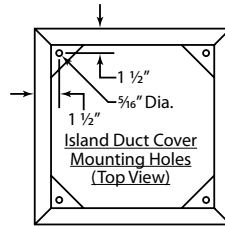
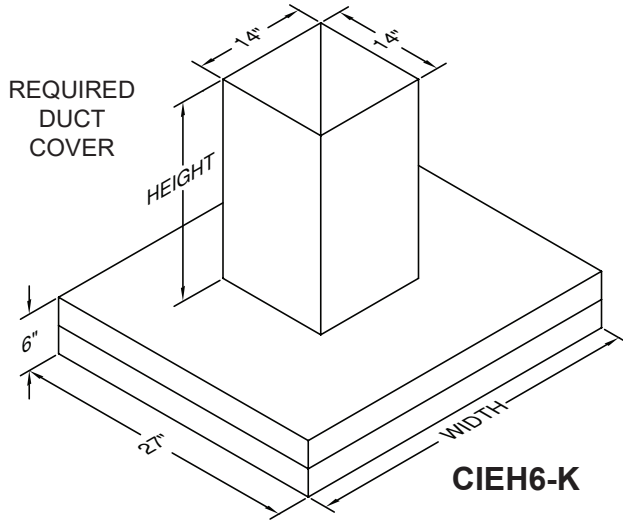
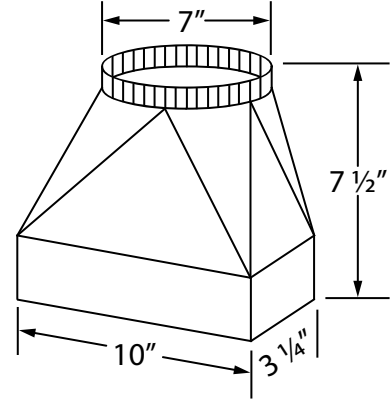


VentA Hood® ISLAND RANGE HOOD SPECIFICATIONS

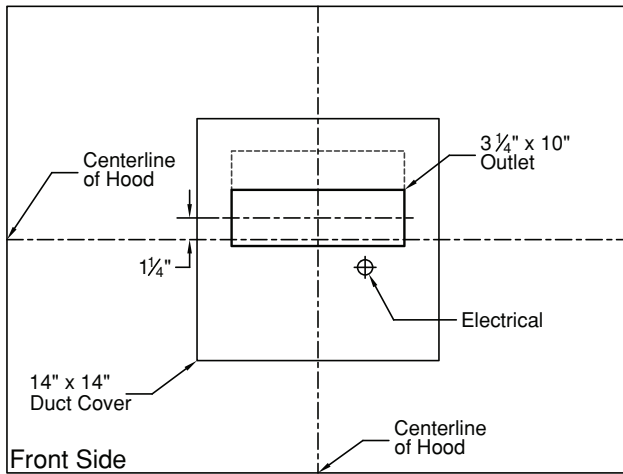
CIEH6-K Equipped with LED GU10 lighting. Not available with heat lamps. Shown with required duct cover (sold separately). Required duct covers available in standard and custom sizes. Available in painted and stainless steel finishes. Available in 36" and 42" widths.



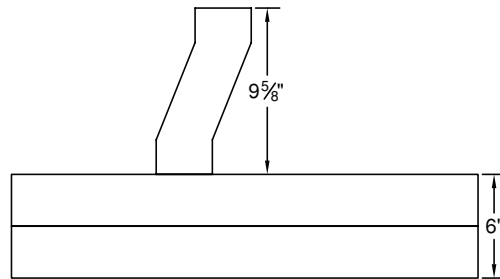
The VP521 transition is available for top vent applications at an additional charge.



Connection Diagram (36" - 42" Widths)

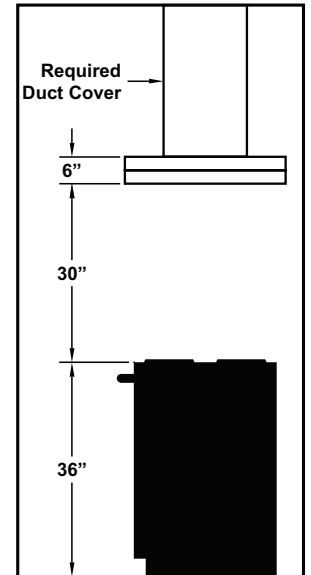


250 CFM K250 Blower (Top View)



(Side View)

Recommended Mounting Height*



*Recommended mounting height is for optimum performance.

Electrical/Mechanical Specifications For Blower Units

Model	Volts	Amps	Hz	RPM	CFM SP@0.0"	Equivalent CFM*	CFM SP@0.1"	CFM SP@0.2"	CFM SP@0.3"	Minimum Round Duct Size	Sones#
K250 (Top Vent)	115	3.5	60	1550	250	375	223	220	190	7" (38 in. ²)	7.4

Hood is available with LED GU10 lights (one in each corner).

* Because the Power Lung® blower uses centrifugal filtration rather than conventional baffle or mesh filters, the Power Lung® blower can handle cooking equipment with higher cubic feet per minute (CFM) requirements and can deliver equivalent CFM much more efficiently than other filtration systems. When comparing the Power Lung® with other blower units made by other manufacturers, use the "Equivalent CFM".

Ratings in accordance with the Standard Test Code by the Energy Systems Laboratory of the Texas Engineering Experiment Station.