

# Tubular Brass

## Trip Lever 501/502-TL

## Trip Lever 501/502-TQ

For most tubs 14" - 16" high

## Trip Lever 551/552-TL

For most tubs up to 24" high

**Sturdy 1.5" 17g and 20g Tubular Brass Slip-Joint Assembly**

### SPECIFICATIONS

#### FEATURES:

- Designed for heavy-duty use in hotels, motels, and rental property.
- Retainer plate for overflow elbow

#### APPROVALS (Quick Adjust®):

- Manufactured in compliance with ASME A112.18.2-2005/CSA B125.2-2005; and TIL MSE-051.

#### OPERATION:

- Move trip lever, located on overflow plate, up to close drain and down to open drain.

#### THREAD SIZE (Strainer Body and Drain Ell):

- 1 1/2" – 11 1/2 NPSM (Coarse Thread)
- 1.865" Major Diameter (outside thread diameter)
- 11.5 threads per inch

**PIPING:** □ 17g: 501 model □ 20g: 502 model

#### OPTIONS:

- Brass Ferrules (add code "F" to part number)
- Slip 'N Solder (no slip joints; add code "U")
- Special lengths available:
  - Overflow extension (add code "EXlength")  
example: EX6
  - Drain extension (add code "Dlength") example: D4

#### FINISHES:

Tub Closure:	Trip Lever
CP- Chrome Plated	•
BB- Brushed Bronze	•
BN- Brushed Nickel	•
BZ- Oil-Rubbed Bronze	•
CB- Chrome Brushed	•
NP- Nickel Polished	•
PB- Polished Brass	•
WH- White	•
WI- Wrought Iron	•



## Model 501-TQ

## Model 502-TQ

Same as 501/502 Trip Levers except **QUICK ADJUST®** has scale label on the overflow pipe.

For most tubs 14"-16" high



See price list for complete item numbers and available options.

When ordering, please specify complete item number and any applicable option codes.

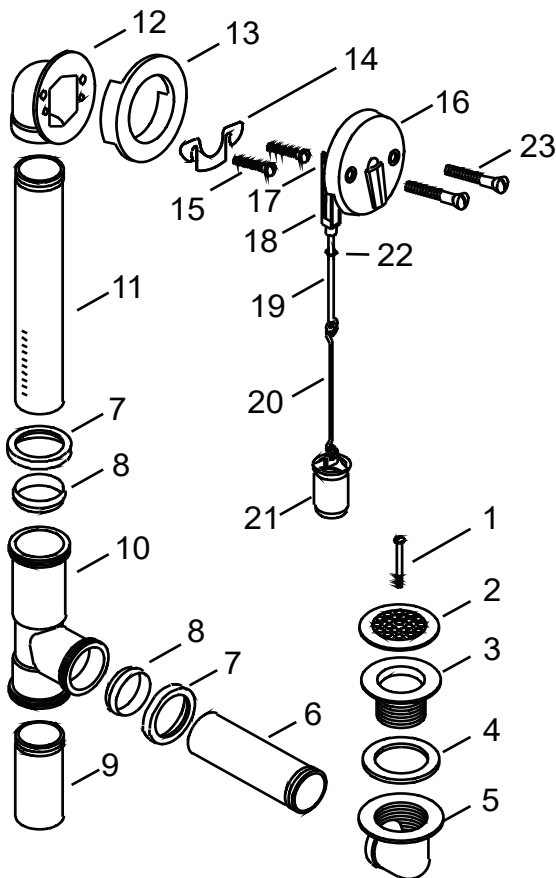
**WATCO**



For More Information Contact:  
**WATCO Manufacturing Company**  
 1220 South Powell Road  
 Independence, MO 64057-2724  
 Ph. 816-796-3900 • FAX 816-796-0875

Always a step ahead [www.watcomfg.com](http://www.watcomfg.com)

# 501-TL/502-TL & TQ and 551/552-TL Series Parts List

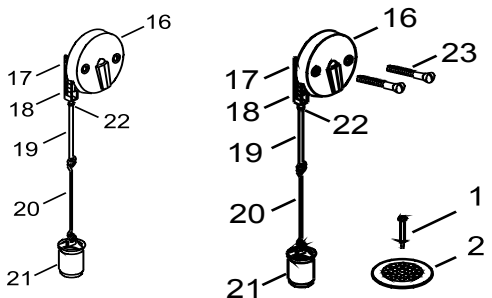


## 501-TQ / 502-TQ QUICK ADJUST® TL

Part #11 has TQ label. Everything else is the same as the 501-TL or 502-TL.

Item	Part #	Description
1	01040__*	Strainer Cover Plate Screw
2	01006__*	Strainer Cover Plate
3	11495CP	Strainer Body, 11/2" - 11.5
4	10696	Drain Ell Washer
5	44006	Brass Drain Ell, 11/2" - 11.5
6	17GA-4.75	Drain Ell Tube, 17g brass, 4.75"
	20GA-4.75	Drain Ell Tube, 20g brass, 4.75"
	17GA-9.625	Drain Ell Tube, 9.625" For 551-TL
	20GA-9.625	Drain Ell Tube, 9.625" For 552-TL
7	41580	Brass Slip Nut
8	11583	Slip Joint Polywasher
9	17GA-3.5	Tail Piece, 17g brass, 3.5"
	20GA-3.5	Tail Piece, 20g brass, 3.5"
10	44001	Brass Tee
11	17GA-9.625	Overflow Ell Tube, 17g brass, 9.625"
	20GA-9.625	Overflow Ell Tube, 20g brass, 9.625"
	17GA-18.12	Drain Ell Tube, 18.125" For 551-TL:
	20GA-18.12	Drain Ell Tube, 18.125" For 552-TL
12	44003	Overflow Ell, Brass
13	40675	Overflow Ell Washer for Brass
14	11530	Retainer Plate
15	41540	Retainer Plate Screw
16	10700__*	TL Faceplate Assembly
17	10930	Cotter Pin
18	10950	Quick Adjust "Q" Clevis
19	10953	Top Linkage Eye Bolt
20	10954	5.25" Double-Loop Wire
21	41005	Brass Drop Cylinder for Brass
22	10952	TL Linkage Nut
23	01024__*	Screw, Overflow Plate, 2.25"

\* Please indicate finish desired.



## 10770-BRS\*-\_\_\_\_\_

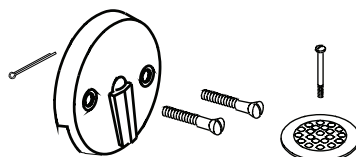
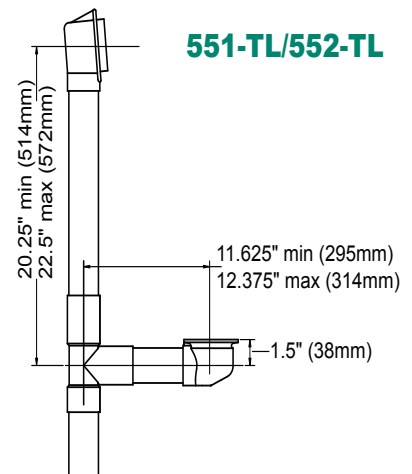
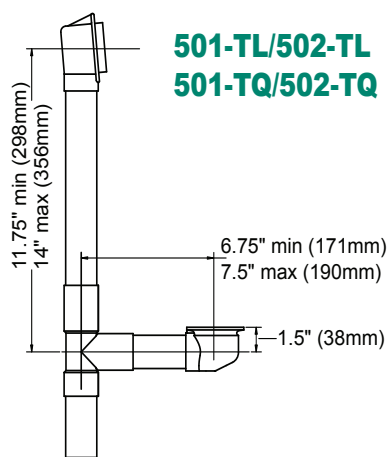
Trip Lever faceplate assembly replacement for brass trip lever bath wastes.

## 38770-BRS\*-\_\_\_\_\_

TL faceplate assembly (TQ clevis) with screws, TL linkage parts, 5.25" double-loop wire, drop cylinder, and strainer cover plate and screw.

\*Also available for PVC and ABS plastic.

## Roughing-In Dimensions:



## 38702-\_\_\_\*

Trim only for Trip Lever or SLIP LOCK drains, plus one #10930 cotter pin.

\*Indicate desired finish.