
SKT60* TRIM KIT INSTALLATION INSTRUCTIONS

INSTRUCCIONES DE INSTALACIÓN DEL JUEGO DE MARCOS SKT60*

INSTRUCTIONS D'INSTALLATION DE L'ENSEMBLE D'OBTURATION SKT60*

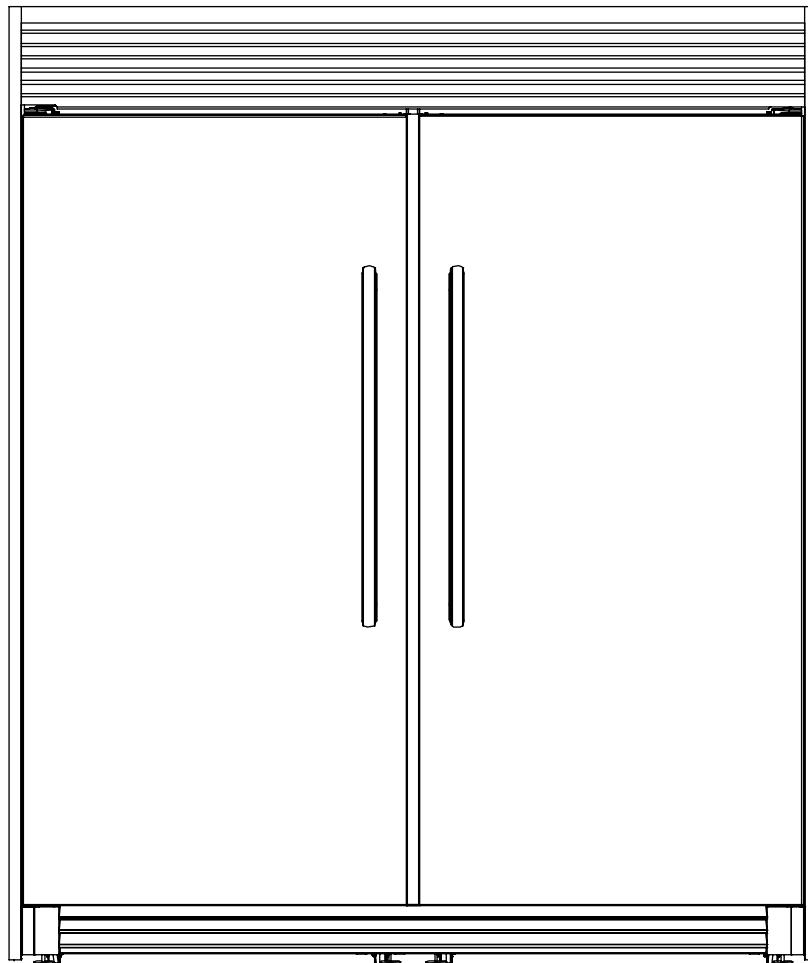


TABLE OF CONTENTS

SKT60* TRIM KIT SAFETY	2	ASSEMBLY INSTRUCTIONS.....	4
INSTALLATION REQUIREMENTS.....	3	Assemble the Top Grille	4
Plan the Installation	3	Attach the Side Rails.....	5
Opening Requirements	3	INSTALLATION INSTRUCTIONS.....	5
Tools Needed	3	Install the Top Grille and Trim Assembly	5
Parts Supplied.....	3	Place and Align Refrigerator and Freezer	6
Electrical Requirements	4	Move Refrigerator and Freezer to Final Location	7
		Care and Cleaning.....	8

ÍNDICE

SEGURIDAD DEL JUEGO DE MARCOS SKT60*	9	INSTRUCCIONES DE ENSAMBLAJE.....	11
REQUISITOS DE INSTALACIÓN	9	Ensamble la rejilla superior	11
Planifique la instalación.....	9	Sujete las extrusiones de los marcos laterales.....	12
Requisitos para la abertura.....	9	INSTRUCCIONES DE INSTALACIÓN	12
Herramientas necesarias	10	Instale el ensamblaje de la rejilla superior y del marco	12
Piezas suministradas	10	Coloque y alinee el refrigerador y el congelador	13
Requisitos eléctricos	11	Mueva el refrigerador y el congelador a su ubicación final.....	14
		Cuidado y limpieza.....	16

TABLE DES MATIÈRES

SÉCURITÉ DE L'ENSEMBLE D'OBTURATION SKT60*	17	INSTRUCTIONS D'ASSEMBLAGE.....	19
EXIGENCES D'INSTALLATION	17	Assemblage de la grille supérieure.....	19
Planification de l'installation.....	17	Fixation des rails latéraux	20
Exigences d'ouverture	17	INSTRUCTIONS D'INSTALLATION	20
Outils nécessaires	18	Installation de la grille et de la garniture supérieures	20
Pièces fournies.....	18	Installation et alignement du réfrigérateur et du congélateur	21
Spécifications électriques.....	19	Déplacement du réfrigérateur et du congélateur à leur emplacement définitif.....	22
		Entretien et nettoyage.....	24

SKT60* TRIM KIT SAFETY

Your safety and the safety of others are very important.

We have provided many important safety messages in this manual and on your appliance. Always read and obey all safety messages.



This is the safety alert symbol.

This symbol alerts you to potential hazards that can kill or hurt you and others.

All safety messages will follow the safety alert symbol and either the word "DANGER" or "WARNING."

These words mean:

⚠ DANGER

You can be killed or seriously injured if you don't immediately follow instructions.

⚠ WARNING

You can be killed or seriously injured if you don't follow instructions.

All safety messages will tell you what the potential hazard is, tell you how to reduce the chance of injury, and tell you what can happen if the instructions are not followed.

State of California Proposition 65 Warnings:

WARNING: This product contains one or more chemicals known to the State of California to cause cancer.

WARNING: This product contains one or more chemicals known to the State of California to cause birth defects or other reproductive harm.

INSTALLATION REQUIREMENTS

The SKT60* Trim Kit provides an integrated appearance when installing an all-refrigerator and upright freezer side by side.

Plan the Installation

Plan your installation using these instructions in conjunction with the Use & Care Guides provided with the refrigerator and freezer.

IMPORTANT:

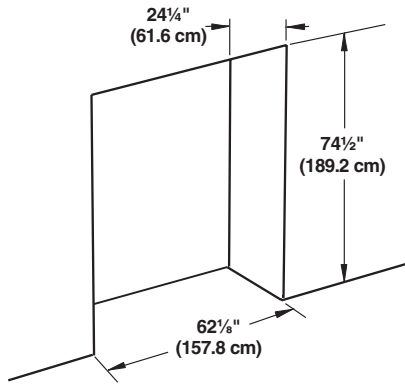
- For ease in handling and alignment, it is required that 2 people install the trim kit.
- Make sure there is enough area, approximately 7 ft (2.1 m) by 10 ft (3.1 m) to assemble parts on the floor.
- Lay a drop cloth on the floor to cushion the parts and cover the flooring.
- These instructions are intended as a general guide only and do not supersede any national or local codes in any way. Compliance with all local, state or national codes pertaining to this type of installation should be determined prior to installation.

Opening Requirements

Make sure the opening is 74½" (189.2 cm) high by 62⅞" (157.8 cm) wide by 24¼" (61.6 cm) deep as shown.

The inner opening dimensions of the installed trim kit will be 61.31" (155.7 cm) wide by 66.85" (189.7 cm) high.

NOTE: It is possible to make the trim kit fit vertical openings that are less than 74½" (189.2 cm) high. The trim kit can be reduced in height by 1" (2.54 cm) increments. Each top grille (B) section is 1" (2.54 cm) in height. For each top grille (B) section that is not used, 1" (2.54 cm) must be cut from the base of both the left-hand (E) and right-hand (G) side trim pieces.



Tools Needed

Assemble the required tools and parts before starting installation.

Read and follow the instructions provided with any of the required tools listed here. Proper installation is your responsibility.

Tools Needed

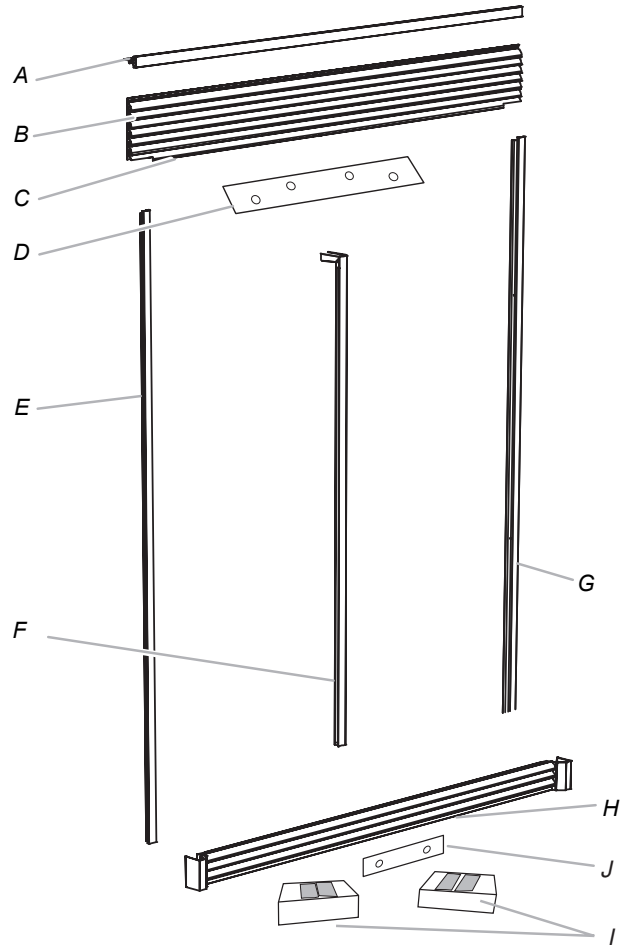
- Cordless drill, ⅛" bit
- Phillips screwdriver
- Flat-blade screwdriver
- Socket drive #2 bits
- Torx®† T25 screwdriver
- Carpenter's level
- Tape measure
- Tape (masking or painters)

Parts Supplied

Remove the parts from the trim kit package. Make sure all parts are included.

IMPORTANT:

- Do not use sharp objects to remove packaging materials to avoid scratching surfaces.
- The metal parts can be damaged if they are dropped.

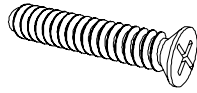


Description (Quantity)	Stainless Steel Part Number	White Part Number
A. Top Trim Mount (1)	W10682840	W10682841
B. Top Grille (6) (shown assembled)	W10682846	W10682847
C. Top Trim Notched Grille (1)	W10682843	W10682844
D. Top Plate (1)	W10682876	W10682875
E. Left-Hand Side Trim (1)	W10682850	W10682851
F. Gap Filler (1)	W10682856	W10682857
G. Right-Hand Side Trim (1)	W10682853	W10682854
H. Bottom Grille Assembly (1)	W10682833	W10682834
I. Rear spacer (2)	W10682858	W10682858
J. Bottom plate (1)	W10907484	

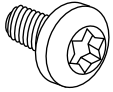
†®TORX is a registered trademark of ACUMENT INTELLECTUAL PROPERTIES, LLC



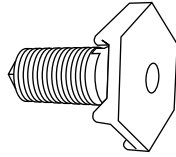
J. Pan-Head Phillips Screw (7)
Part Number 3-24004-091



K. Countersunk Phillips Screw (2)
Part Number 3-24004-159



L. Painted Pan-Head Torx®
Screw (4) White Kit Part
Number W10383593
Stainless Steel Kit Part Number
W10385275



M. Leveler Leg (4)
Part Number 3-82710-001

Electrical Requirements

⚠ WARNING



Electrical Shock Hazard

Plug into a grounded 3 prong outlet.

Do not remove ground prong.

Do not use an adapter.

Do not use an extension cord.

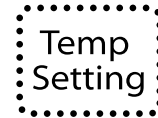
Failure to follow these instructions can result in death, fire, or electrical shock.

Before you move your freezer or refrigerator into its final location, it is important to make sure you have the proper electrical connection.

Recommended Grounding Method

A 115 Volt, 60 Hz., AC only, 15- or 20-amp fused, grounded electrical supply is required. It is recommended that a separate circuit serving only your freezer be provided. Use an outlet that cannot be turned off by a switch. Do not use an extension cord.

NOTE: Before performing any type of installation, cleaning, or removing a light bulb, press and hold TEMP SETTING for 3 seconds to turn off cooling, and then disconnect the freezer refrigerator from the electrical source.

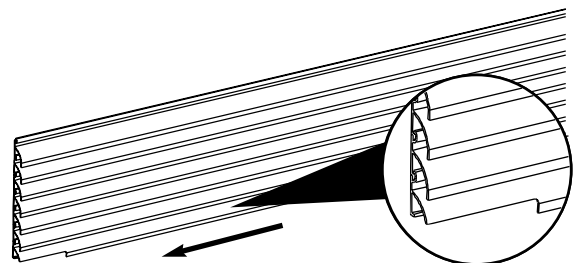
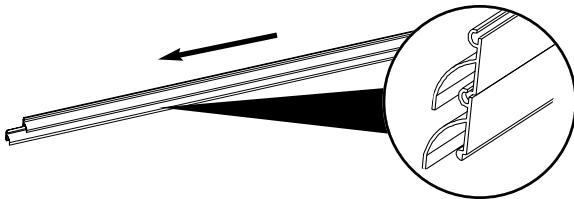


Cooling On/Off
Hold 3 Sec

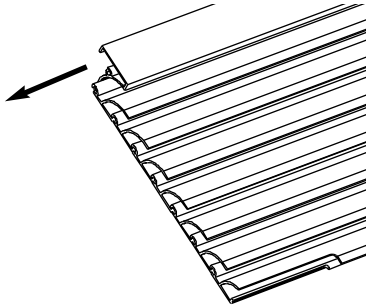
ASSEMBLY INSTRUCTIONS

Assemble the Top Grille

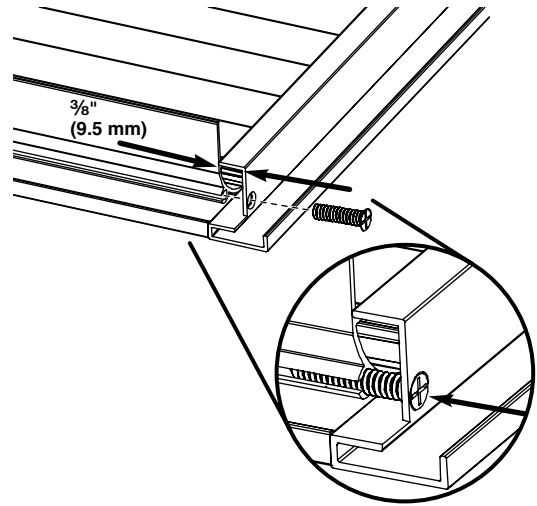
1. Assemble the six top grille (B) sections by sliding one into the other through the tongue and groove feature as shown.
2. Attach the top trim notched grille (C) to those already assembled by sliding it into the bottom/lowest grille section.



3. Install the top trim mount (A) onto the top grille assembly (B) by sliding it onto the grille section at the top.

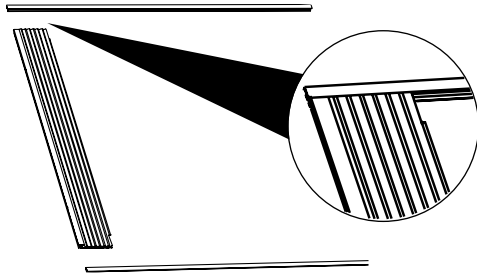


2. Align the hole in the side trim piece (E and G) with the groove on the top grille (B) on each side of the grille assembly. There will be a $\frac{3}{8}$ " (9.5 mm) gap between side trim piece (E and G) and top grille (B).
3. Using the two countersunk Phillips screws (K) (provided), fasten the side trim piece (E and G) to the top grille assembly (B). Insert the screw through the predrilled hole and into the groove on each side of the top grille assembly (B) as shown.



Attach the Side Rails

1. Align the side trim pieces (E, G) with the sides of the top grille assembly (B).
NOTE: Make sure all the grille pieces are contained within the channel of the side trim pieces (E and G) and the top surface of the top grille (B) is flush with the top surface of the sides.



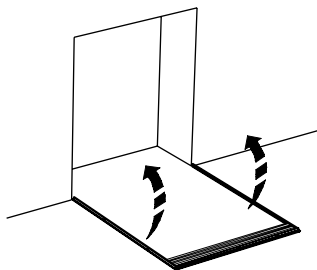
INSTALLATION INSTRUCTIONS

Install the Top Grille and Trim Assembly

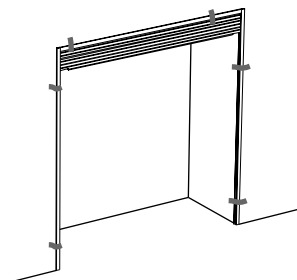
IMPORTANT: The top grille and trim assembly, and your floor can be damaged if the assembly is dropped.

Prepare the Opening

1. Place cardboard or hardboard over the floor at each side of the rough opening where the side trim will meet the floor.
2. Place the top grille and trim assembly face down on the floor centered in front of the rough opening.
3. Using two people, one on each side, lift the trim assembly and position it into place above and on each side of the opening.



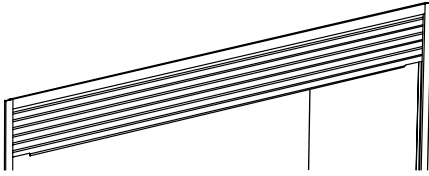
4. Use several pieces of tape to temporarily hold the assembly in place as shown.



5. Mark the trim assembly hole locations around the opening. Remove the tape and lower the trim assembly back to the floor.
6. Using a cordless drill and $\frac{1}{8}$ " diameter drill bit, drill holes where marked.
NOTE: Some cabinetry or wall materials may require predrilled holes using a $\frac{7}{8}$ " diameter drill bit.
7. Repeat steps 3 and 4.

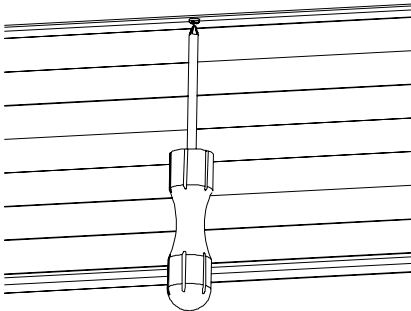
Fasten the Top Trim to the Opening

1. Align the top grille assembly against the opening, so that it is tight and flush with the front surface of the wall opening or cabinetry.



2. From below and behind the top grille assembly, insert a panhead Phillips screw (J) through the predrilled center hole of the top grille (B) and into the wall opening or cabinetry.

NOTE: Do not completely tighten the screw.



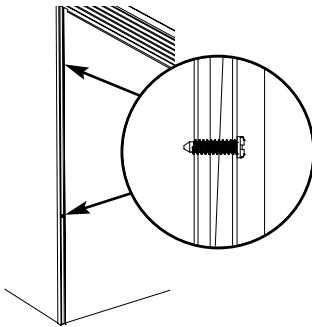
3. Using a carpenter's level, level the top grille assembly (B), and shim as necessary.

NOTE: Shims are not provided with the trim kit.

4. Using two pan-head Phillips screws (J), fasten the top grille assembly (B) by inserting a screw through the predrilled holes at each end. Completely tighten the screws.
5. Completely tighten the center screw.

Fasten the Side Trim to the Opening

1. Using a carpenter's level, make sure the sides are plumb and shim as necessary.
NOTE: Shims are not provided with the trim kit.
2. Using four pan-head Phillips screws (J) (two on each side), fasten both the left-hand (E) and right-hand side trim pieces (G) to the opening or cabinetry. Make sure the trim pieces do not twist.



Place and Align Refrigerator and Freezer

! WARNING



Tip Over Hazard

Refrigerator is top heavy and tips easily when not completely installed.

Keep doors taped closed until refrigerator is completely installed.

Use two or more people to move and install refrigerator.

Failure to do so can result in death or serious injury.

When Moving Your Freezer or Refrigerator:

Your freezer and refrigerator are heavy. When moving the appliance for cleaning or service, be sure to cover the floor with cardboard or hardboard to avoid floor damage. Always pull the appliance straight out when moving it. Do not wiggle or "walk" the appliance when trying to move it, as floor damage could occur.

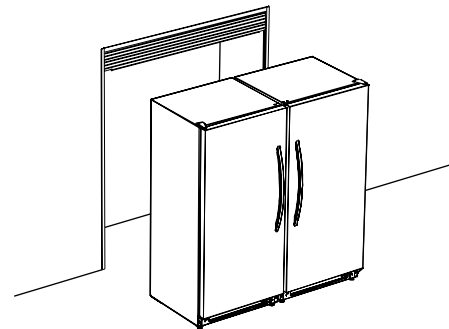
! WARNING

Excessive Weight Hazard

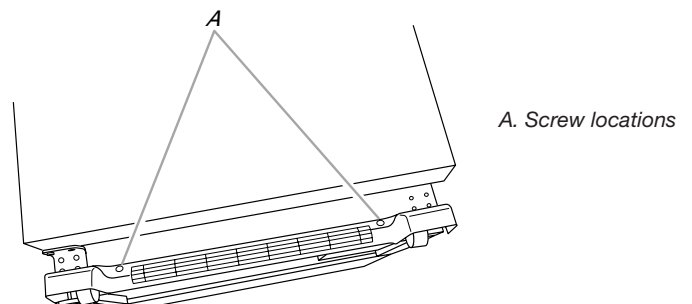
Use two or more people to move and install refrigerator.

Failure to do so can result in back or other injury.

1. Place the freezer and refrigerator in front of the opening (freezer on the left, refrigerator on the right).

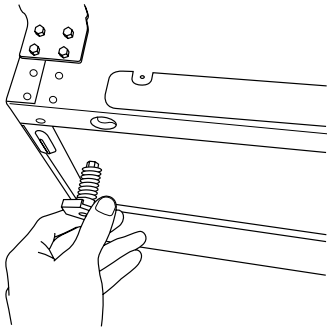


2. Remove the plastic base grille from each appliance by removing the two Phillips screws.



Install Leveler Legs

1. Remove the four hex-head screws on each roller assembly. Set the roller assemblies aside.
2. Place the refrigerator/freezer on its back on top of a piece of cardboard or other protective material.
3. Insert two plastic leveler legs (M) into each cabinet.



4. Return refrigerator/freezer to an upright position.
5. Adjust the leveler legs (M) so that each appliance is level, plumb and at the same height as the other appliance.
NOTE: Now, the freezer and refrigerator each have two front leveler legs (M) that are adjustable. The back of each cabinet rests on two fixed supports.
6. Place a leveling tool on top of the cabinet. Check the level first side to side and then front to back.
To raise a corner – Turn the leveler leg clockwise.
To lower a corner – Turn the leveler leg counterclockwise.
7. Repeat Step 3 for the other appliance until both the freezer and refrigerator are level, plumb and at the same height.

Move Refrigerator and Freezer to Final Location

! WARNING



Tip Over Hazard

Refrigerator is top heavy and tips easily when not completely installed.

Keep doors taped closed until refrigerator is completely installed.

Use two or more people to move and install refrigerator.

Failure to do so can result in death or serious injury.

When Moving Your Freezer or Refrigerator:

Your freezer and refrigerator are heavy. When moving the appliance for cleaning or service, be sure to cover the floor with cardboard or hardboard to avoid floor damage. Always pull the appliance straight out when moving it. Do not wiggle or “walk” the appliance when trying to move it, as floor damage could occur.

! WARNING

Excessive Weight Hazard

Use two or more people to move and install refrigerator.

Failure to do so can result in back or other injury.

Move the First Appliance

IMPORTANT: If the electrical outlets are not centered in the back wall of the opening, move the appliance on the opposite side of the outlets into the opening first.

1. Cover the floor with cardboard or hardboard to avoid floor damage.
2. Attach a plastic foam rear spacer (I) to the rear center of both appliances.
NOTE: The rear spacers (I) ensure that the 2 appliances are positioned the correct distance from the wall to avoid cabinet damage.
3. Slide the first appliance into the opening far enough to connect the power cord to the electrical outlet.

IMPORTANT: Wait 24 hours before plugging in your refrigerator or freezer to avoid compressor failure.

! WARNING



Electrical Shock Hazard

Plug into a grounded 3 prong outlet.

Do not remove ground prong.

Do not use an adapter.

Do not use an extension cord.

Failure to follow these instructions can result in death, fire, or electrical shock.

4. Plug into a grounded 3 prong outlet.

Move the Second Appliance

IMPORTANT: If the electrical outlets are not centered in the back wall of the opening, move the appliance on the opposite side of the outlets into the opening first.

1. Slide the second appliance into the opening far enough to connect the power cord to the electrical outlet.

IMPORTANT: Wait 24 hours before plugging in your refrigerator or freezer to avoid compressor failure.

2. Plug into a grounded 3 prong outlet.
3. If needed, either door may be adjusted horizontally by loosening the three hinge bolts, moving the hinge and retightening the bolts.

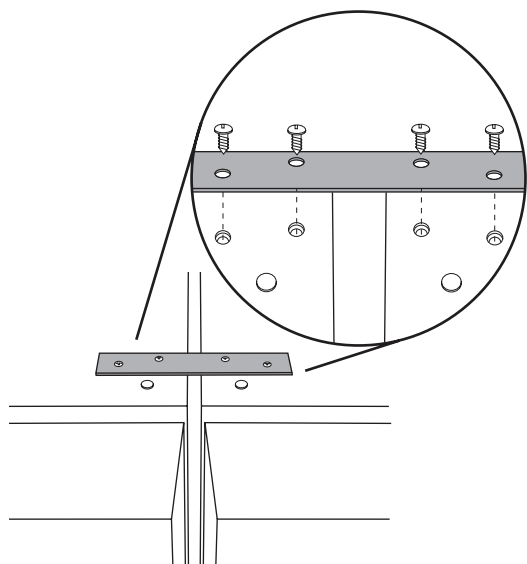
NOTE: Provide additional support for the refrigerator door while the hinges are being moved. Do not depend on the door gasket magnets to hold the door in place while you are working.

Install the Top Plate

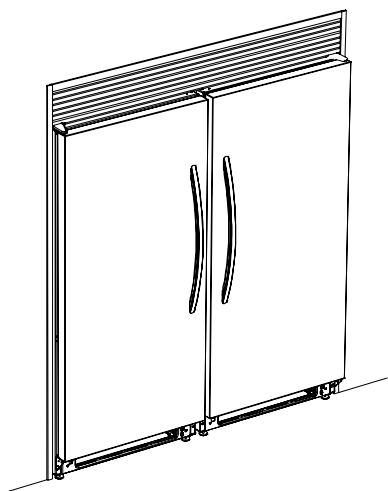
1. Insert one painted pan-head Torx[®] screw (L) through the top plate (D) and thread it into the cabinet. Use the two rear holes in each cabinet.

NOTE: Do not completely tighten the screw.

- Align the top plate (D) holes with the holes in the appliances and install the remaining three screws (L) as shown.



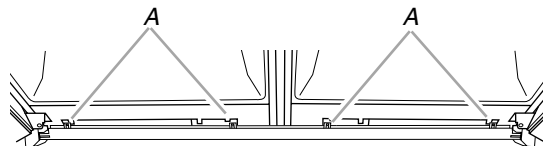
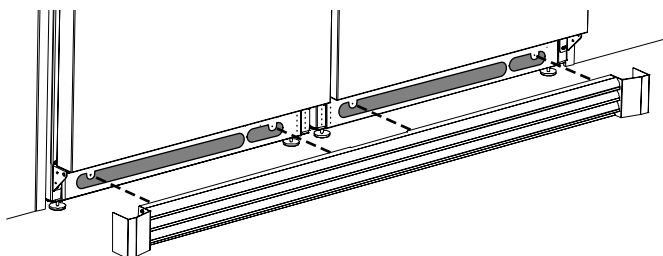
- NOTE:** Do not completely tighten the screws.
- Push the refrigerator and freezer fully into the opening.



- Check the level of the each appliance since it may have changed when you moved it into the opening.
NOTE: Depending on the level of the floor, you may need to remove each appliance and readjust several times to achieve a satisfactory alignment.
- Completely tighten all four screws (L) in top plate (D).

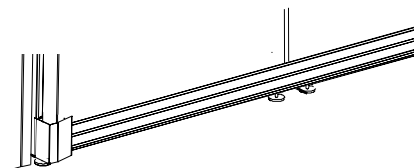
Install Bottom Grille Assembly

- Align the four clips on the bottom grille assembly (H) (two for each cabinet) with the edge of the rounded openings in the base of the cabinets.



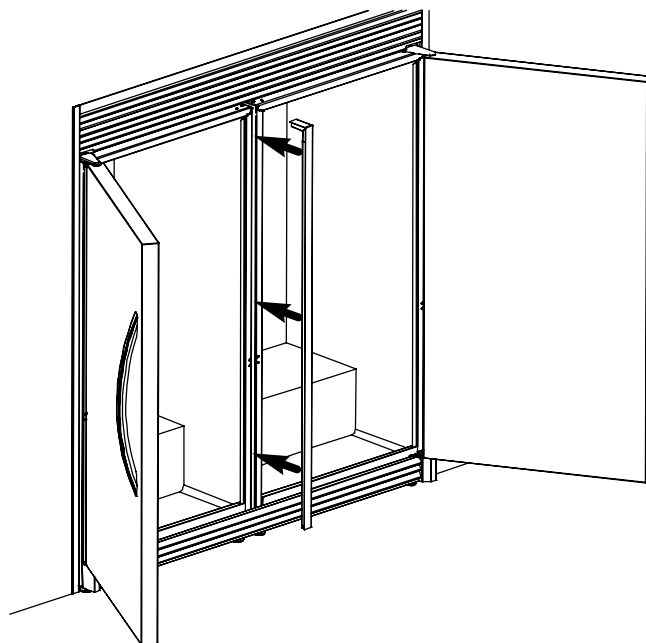
A. Grille clips aligned with edge of rounded openings

- Push and snap all the grille clips into place.
NOTE: Make sure the grille clips are fully engaged and that the base grille side caps are situated outside the hinge bracket on each appliance.



Install the Gap Filler

- Place the magnetic gap filler (F) between the refrigerator and freezer to fill in the gap between the appliances.
NOTE: The gap filler (F) should be flush with the tops of the appliance cabinets.



Care and Cleaning

Clean the trim and grille surfaces with a cotton cloth dampened with a solution of mild dish detergent and warm water. Do not use harsh or abrasive cleaners because they will damage the metal surface of the grille and trim.

SEGURIDAD DEL JUEGO DE MARCOS SKT60*

Su seguridad y la seguridad de los demás es muy importante.

Hemos incluido muchos mensajes importantes de seguridad en este manual y en su electrodoméstico. Lea y obedezca siempre todos los mensajes de seguridad.



Este es el símbolo de advertencia de seguridad.

Este símbolo le llama la atención sobre peligros potenciales que pueden ocasionar la muerte o una lesión a usted y a los demás.

Todos los mensajes de seguridad irán a continuación del símbolo de advertencia de seguridad y de la palabra "PELIGRO" o "ADVERTENCIA". Estas palabras significan:

! PELIGRO

Si no sigue las instrucciones de inmediato, usted puede morir o sufrir una lesión grave.

! ADVERTENCIA

Si no sigue las instrucciones, usted puede morir o sufrir una lesión grave.

Todos los mensajes de seguridad le dirán el peligro potencial, le dirán cómo reducir las posibilidades de sufrir una lesión y lo que puede suceder si no se siguen las instrucciones.

Advertencias de la Proposición 65 del estado de California:

ADVERTENCIA: Este producto contiene una o más sustancias químicas identificadas por el estado de California como causantes de cáncer.

ADVERTENCIA: Este producto contiene una o más sustancias químicas identificadas por el estado de California como causantes de defectos congénitos o algún otro tipo de daños en la función reproductora.

REQUISITOS DE INSTALACIÓN

El juego de marcos SKT60* provee una apariencia de integración al instalarlo con un refrigerador (sin congelador) y un congelador vertical lado a lado.

Planifique la instalación

Planifique la instalación siguiendo estas instrucciones conjuntamente con las Guías de uso y cuidado provistas con el refrigerador y el congelador.

IMPORTANTE:

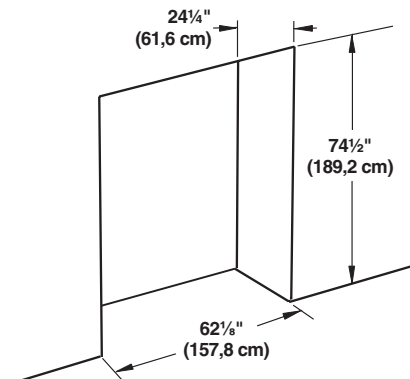
- Es recomendable que dos personas instalen el juego de marcos, para facilitar el manejo y la alineación.
- Cerciórese de que el área sea lo suficientemente grande, de aproximadamente 7 pies (2,1 m) por 10 pies (3,1 m) para ensamblar las piezas en el piso.
- Coloque una cubierta en el piso para proteger las piezas y el piso.
- Estas instrucciones sirven como guía general solamente y no sustituyen de ninguna manera las normas nacionales o locales. La conformidad con todas las normas locales, estatales o nacionales relacionadas con este tipo de instalación debe ser constatada antes de realizarse la instalación.

Requisitos para la abertura

Cerciórese de que la abertura tenga 74½" (189,2 cm) de altura por 62⅞" (157,8 cm) de ancho por 24¼" (61,6 cm) de profundidad, como se muestra.

Las dimensiones de la abertura interior del marco instalado serán de 61,31" (155,7 cm) de ancho por 66,85" (169,7 cm) de altura.

NOTA: Es posible hacer que el juego de marco encaje en aberturas verticales que sean menores de 74½" (189,2 cm) de alto. Puede reducirse la altura del juego de marcos en decrementos de 1" (2,54 cm). Cada extrusión de rejilla superior (B) tiene una altura de 1" (2,54 cm). Por cada extrusión de rejilla superior que no se use, deberá cortarse 1" (2,54 cm) de la base de las extrusiones del lado izquierdo (E) y del lado derecho (G).



Herramientas necesarias

Reúna las herramientas y piezas necesarias antes de comenzar la instalación. Lea y siga las instrucciones provistas con cualquiera de las herramientas necesarias enlistadas aquí. La instalación correcta es su responsabilidad.

Herramientas necesarias

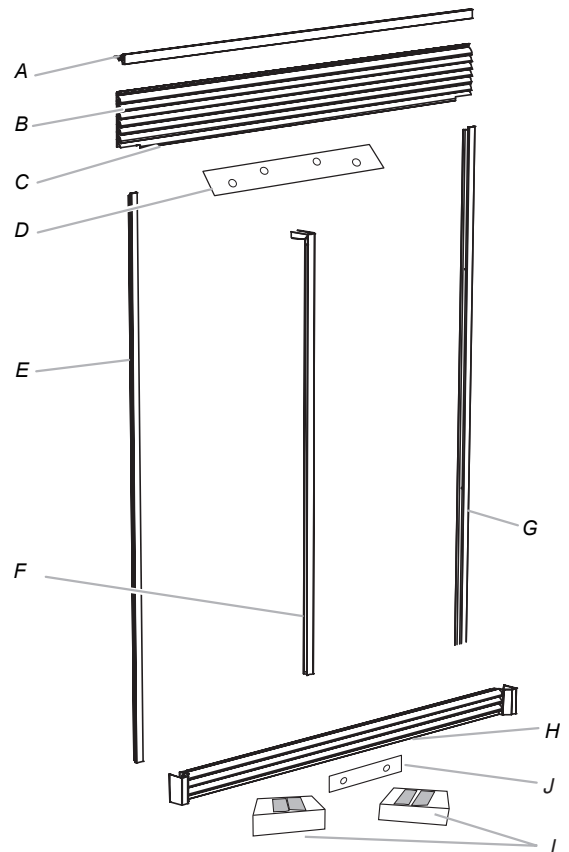
- Taladro inalámbrico y broca de 1/8"
- Destornillador Torx®† T25
- Destornillador Phillips
- Nivel de carpintero
- Destornillador de hoja plana
- Cinta de medir
- Brocas N° 2 para llave de cubo
- Cinta adhesiva (protectora o para pintores)

Piezas suministradas

Saque las piezas del paquete del juego de marcos. Cerciórese de que estén todas las piezas.

IMPORTANTE:

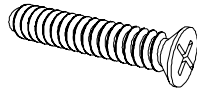
- Para evitar rayar las superficies, no use objetos filosos para quitar los materiales de empaque.
- Las piezas de metal pueden dañarse si se caen.



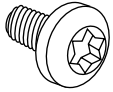
Descripción (Cantidad)	Número de pieza de acero inoxidable	Número de pieza blanca
A. Montaje del marco superior (1)	W10682840	W10682841
B. Rejilla superior (6) (se muestra ensamblada)	W10682846	W10682847
C. Rejilla con muesca del marco superior (1)	W10682843	W10682844
D. Placa superior (1)	W10682876	W10682875
E. Marco lateral izquierdo (1)	W10682850	W10682851
F. Tapajuntas (1)	W10682856	W10682857
G. Marco lateral derecho (1)	W10682853	W10682854
H. Ensamblaje de la rejilla inferior (1)	W10682833	W10682834
I. Espaciador posterior (2)	W10682858	W10682858
J. Placa inferior (1)	W10907484	



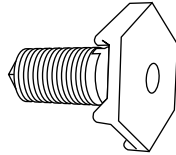
J. Tornillo Phillips de cabeza de cono achatado (7) Pieza número 3-24004-091



K. Tornillos Phillips avellanados (2) Pieza número 3-24004-159



L. Tornillo de cabeza de cono achatado Torx® pintado (4) Juego blanco pieza número W10383593 Juego de acero inoxidable pieza número W10385275



M. Patas niveladoras (4) Pieza número 3-82710-001

Requisitos eléctricos

⚠ ADVERTENCIA



Peligro de Choque Eléctrico

Conecte a un contacto de pared de conexión a tierra de 3 terminales.

No quite la terminal de conexión a tierra.

No use un adaptador.

No use un cable eléctrico de extensión.

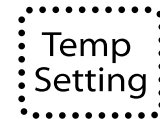
No seguir estas instrucciones puede ocasionar la muerte, incendio o choque eléctrico.

Antes de mover el congelador o refrigerador a su ubicación final, es importante asegurarse de contar con la conexión eléctrica adecuada.

Método de conexión a tierra recomendado

Se requiere un suministro eléctrico conectado a tierra de 115 voltios, 60 Hz., CA solamente y con fusibles de 15 o 20 amperios. Se recomienda utilizar un circuito separado sólo para su congelador. Use un tomacorriente que no se pueda apagar con un interruptor. No use un cable eléctrico de extensión.

NOTA: Antes de realizar cualquier tipo de instalación, limpieza o de retirar un foco, mantenga presionado TEMP SETTING (Ajuste de temperatura) durante 3 segundos para apagar el enfriamiento y luego desconecte el congelador o refrigerador de la fuente de energía eléctrica.

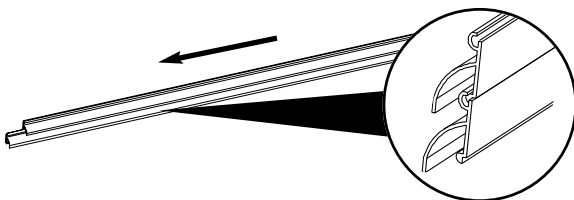


Cooling On/Off
Hold 3 Sec

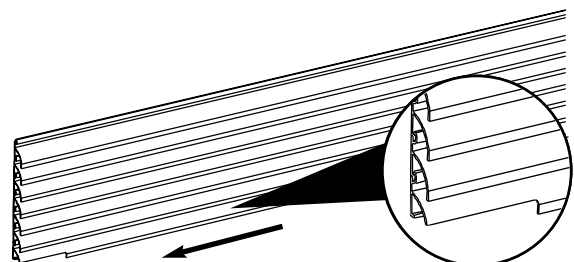
INSTRUCCIONES DE ENSAMBLAJE

Ensamble la rejilla superior

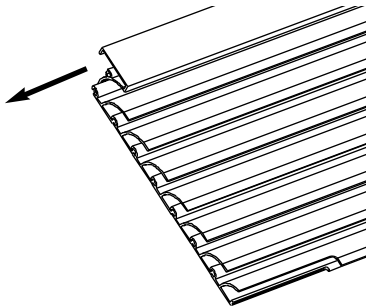
1. Ensamble las seis extrusiones de la rejilla (B) deslizando una dentro de la otra a través de la lengüeta y la ranura, como se muestra.



2. Sujete la extrusión con ranuras de la rejilla (C) a las que ya están ensambladas, deslizando la dentro de la rejilla inferior/de más abajo.



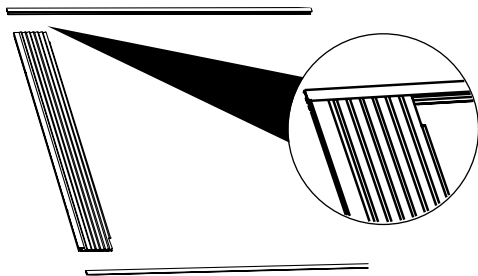
3. Instale la extrusión del marco superior (A) sobre el ensamblaje de la rejilla (B), deslizándola sobre la extrusión de la rejilla que está en la parte superior.



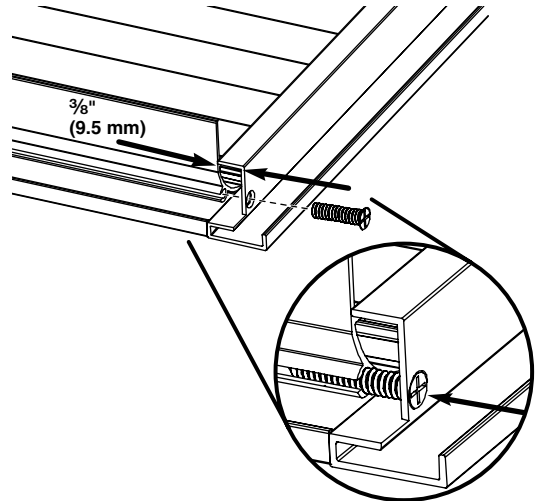
Sujete las extrusiones de los marcos laterales

1. Alinee las extrusiones de los marcos laterales (E, G) con los lados del ensamblaje de la rejilla (B).

NOTA: Cerciórese de que todas las extrusiones de la rejilla estén dentro del canal de las extrusiones laterales (E y G) y que la superficie superior de la extrusión del marco superior (B) esté a escuadra con la superficie superior de los lados.



2. Alinee el orificio que está en la extrusión lateral (E y G) con la ranura que está en la rejilla superior, a cada lado del ensamblaje de la rejilla. Habrá un espacio de $\frac{3}{8}$ " (9,5 mm) entre las extrusiones (E y G) y la rejilla superior (B).
3. Sujete el marco lateral (E y G) al ensamblaje de la rejilla (B) con dos tornillos avellanados Phillips (K). Inserte el tornillo dentro de la ranura, a cada lado del ensamblaje de la rejilla (B), a través del orificio taladrado previamente, como se muestra.



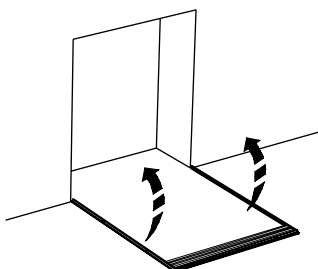
INSTRUCCIONES DE INSTALACIÓN

Instale el ensamblaje de la rejilla superior y del marco

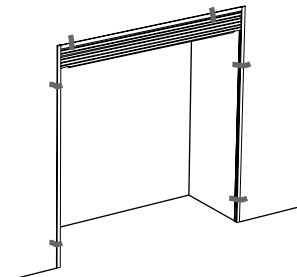
IMPORTANTE: Si se cae el ensamblaje de la rejilla y el marco superior, es posible que se dañen y que se dañe el piso.

Preparación de la abertura

1. Coloque un pedazo de cartón o madera dura sobre el piso, a cada lado de la abertura aproximada en donde el marco lateral se encuentra con el piso.
2. Coloque el ensamblaje de la rejilla superior y del marco boca abajo sobre el piso, centrado frente a la abertura aproximada.
3. Con la ayuda de dos personas, una a cada lado, levante el ensamblaje del marco y colóquelo en su lugar encima y a cada lado de la abertura.



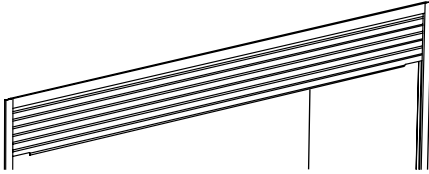
4. Sujete el ensamblaje temporalmente con varios trozos de cinta adhesiva, como se muestra.



5. Marque las ubicaciones de los orificios del ensamblaje del marco alrededor de la abertura. Quite la cinta adhesiva y baje el ensamblaje del marco nuevamente al piso.
6. Taladre orificios en los lugares marcados con un taladro inalámbrico y una broca de $\frac{1}{8}$ " de diámetro.
NOTA: Algunos armarios o materiales para la pared pueden necesitar taladrar los orificios previamente, usando una broca de $\frac{7}{8}$ " de diámetro.
7. Repita los pasos 3 y 4.

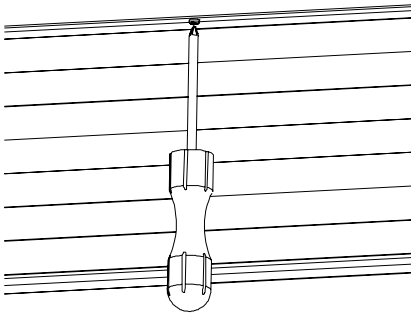
Sujete el marco superior a la abertura

1. Alinee la extrusión superior contra la abertura, de manera que quede apretada y a escuadra con la superficie frontal de la abertura o los armarios de la pared.



2. Desde debajo y detrás de la extrusión de la rejilla superior, inserte un tornillo Phillips de cabeza de cono achatado (J) dentro de la abertura o los armarios de la pared a través del orificio central de la rejilla superior (B) taladrado previamente.

NOTA: No apriete el tornillo por completo.



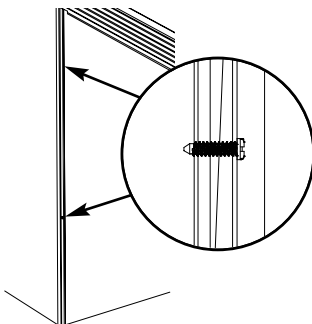
3. Nivele la rejilla superior con un nivel de carpintero y coloque calzas si es necesario.

NOTA: No se proveen calzas con el juego del marco.

4. Sujete la extrusión de la rejilla superior (B) con dos tornillos Phillips de cabeza de cono achatado (J), insertando un tornillo a través de los orificios taladrados previamente en cada extremo. Apriete por completo los tornillos.
5. Apriete por completo el tornillo central.

Sujete el marco lateral a la abertura

1. Cerciérese de que los lados estén a plomo usando un nivel de carpintero y use calzas si es necesario.
- NOTA:** No se proveen calzas con el juego del marco.
2. Sujete las extrusiones del lado izquierdo (E) y derecho (G) del marco a la abertura o a los armarios usando cuatro tornillos Phillips de cabeza de cono achatado (J) (dos a cada lado). Cerciérese de que el marco no se tuerza.



Coloque y alinee el refrigerador y el congelador

⚠ ADVERTENCIA



Peligro de Vuelco

El refrigerador puede volcarse cuando está siendo instalado debido a que la parte superior es pesada.

Mantenga las puertas cerradas con cinta hasta que el refrigerador esté completamente instalado.

Use dos o más personas para mover e instalar el refrigerador.

No seguir estas instrucciones puede ocasionar la muerte o herida seria.

Cómo mover su congelador o su refrigerador:

Su congelador y su refrigerador son pesados. Cuando mueva el electrodoméstico para limpiarlo o para darle servicio, cerciórese de cubrir el piso con cartón o madera para evitar daños en el mismo. Al mover el electrodoméstico, siempre tire directamente hacia afuera. No menea el electrodoméstico de lado a lado ni lo haga "caminar" cuando lo trate de mover ya que podría dañar el piso.

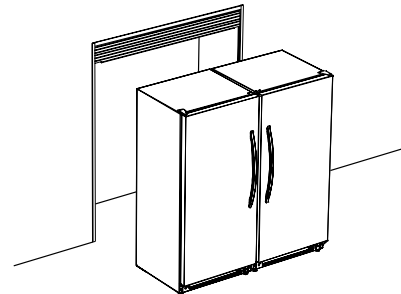
⚠ ADVERTENCIA

Peligro de Peso Excesivo

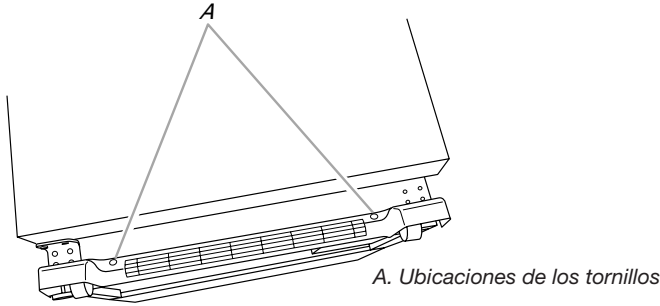
Use dos o más personas para mover e instalar el refrigerador.

No seguir esta instrucción puede ocasionar una lesión en la espalda u otro tipo de lesiones.

1. Coloque el congelador y el refrigerador frente a la abertura (el congelador a la izquierda y el refrigerador a la derecha).

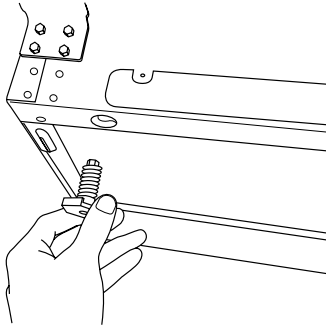


1. Retire la rejilla de base plástica de cada aparato destornillando los dos tornillos Phillips.



Instalación de las patas niveladoras

1. Retire los cuatro tornillos de cabeza hexagonal de cada ensamblaje de rodillo. Deje a un lado los ensamblajes de rodillo.
2. Coloque el refrigerador/congelador sobre su parte posterior encima de un cartón u otro tipo de material protector.
3. Inserte 2 patas niveladoras de plástico (M) en cada gabinete.



4. Vuelva a colocar el refrigerador/congelador en posición vertical.
5. Regule las patas niveladoras (M) de modo que cada aparato quede nivelado, a plomo y a la misma altura que el otro aparato.
NOTA: El congelador y el refrigerador ahora tienen 2 patas niveladoras frontales cada uno, las cuales pueden regularse. La parte posterior de cada gabinete descansa sobre 2 soportes fijos.
6. Coloque una herramienta para nivelar encima del gabinete. Verifique la nivelación, primero de lado a lado y luego del frente hacia atrás.
Para levantar una esquina – Gire la pata niveladora hacia la derecha.
Para bajar una esquina – Gire la pata niveladora hacia la izquierda.
7. Repita el Paso 3 para el otro aparato hasta que tanto el congelador como el refrigerador estén nivelados, a plomo y a la misma altura.

Mueva el refrigerador y el congelador a su ubicación final

⚠ ADVERTENCIA



Peligro de Vuelco

El refrigerador puede volcarse cuando está siendo instalado debido a que la parte superior es pesada.

Mantenga las puertas cerradas con cinta hasta que el refrigerador esté completamente instalado.

Use dos o más personas para mover e instalar el refrigerador.

No seguir estas instrucciones puede ocasionar la muerte o herida seria.

Cómo mover su congelador o su refrigerador:

Su congelador y su refrigerador son pesados. Cuando mueva el electrodoméstico para limpiarlo o para darle servicio, cerciórese de cubrir el piso con cartón o madera para evitar daños en el mismo. Al mover el electrodoméstico, siempre tire directamente hacia afuera. No menea el electrodoméstico de lado a lado ni lo haga “caminar” cuando lo trate de mover ya que podría dañar el piso.

⚠ ADVERTENCIA

Peligro de Peso Excesivo

Use dos o más personas para mover e instalar el refrigerador.

No seguir esta instrucción puede ocasionar una lesión en la espalda u otro tipo de lesiones.

Mueva el primer aparato

IMPORTANTE: Si los contactos eléctricos no están centrados en la pared posterior de la abertura, mueva el aparato que esté en el lado opuesto a los contactos, primero dentro de la abertura.

1. Cubra el piso con cartón o madera para evitar daños en el mismo.
2. Coloque un espaciador de espuma de plástico (I) en el centro posterior de cada uno de los aparatos.
NOTA: Los espaciadores posteriores (I) garantizan que los 2 aparatos estén posicionados a una distancia apropiada de la pared a fin de evitar daños en el gabinete.
3. Deslice el primer aparato dentro de la abertura lo suficiente como para conectar el cable eléctrico al contacto eléctrico.

IMPORTANTE: Espere 24 horas antes de desenchufar su refrigerador/congelador para evitar fallas en el compresor.

⚠ ADVERTENCIA



Peligro de Choque Eléctrico

Conecte a un contacto de pared de conexión a tierra de 3 terminales.

No quite la terminal de conexión a tierra.

No use un adaptador.

No use un cable eléctrico de extensión.

No seguir estas instrucciones puede ocasionar la muerte, incendio o choque eléctrico.

4. Conecte a un contacto de pared de conexión a tierra de 3 terminales.

Mueva el segundo aparato

IMPORTANTE: Si los contactos eléctricos no están centrados en la pared posterior de la abertura, mueva el aparato que esté en el lado opuesto a los contactos, primero dentro de la abertura.

1. Deslice el segundo aparato dentro de la abertura lo suficiente como para conectar el cable eléctrico al contacto eléctrico.

IMPORTANTE: Espere 24 horas antes de enchufar su refrigerador/congelador para evitar fallas en el compresor.

2. Conecte a un contacto de pared de conexión a tierra de 3 terminales.
3. De ser necesario, cualquier puerta puede regularse horizontalmente aflojando los tres pernos de la bisagra, moviendo la bisagra y volviendo a apretar los pernos.

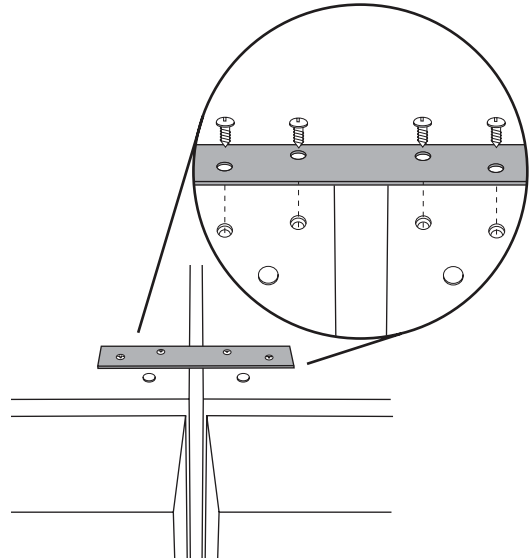
NOTA: Mientras quita las bisagras siempre disponga de un soporte adicional para la puerta del refrigerador. No se confíe en que los imanes de la junta de las puertas van a sostener la puerta en su lugar mientras trabaja.

Instalación de la placa superior

1. Inserte un tornillo de cabeza de cono achatado Torx®† (L) pintado a través de la placa superior (D) y enrósquelo en el gabinete. Use los 2 orificios posteriores de cada gabinete.

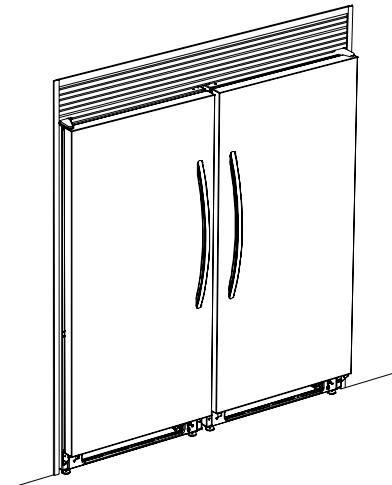
NOTA: No apriete el tornillo por completo.

2. Alinee los orificios de la placa superior (D) con los orificios en los aparatos e instale los 3 tornillos (L) restantes como se muestra en la figura.



NOTA: No apriete los tornillos por completo.

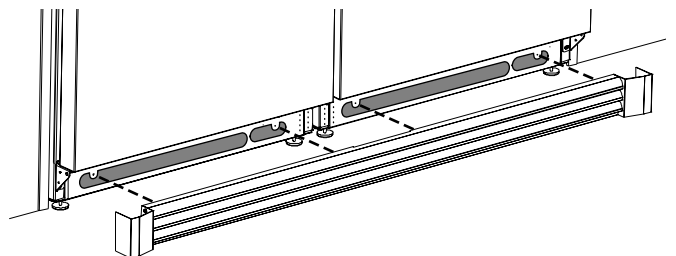
3. Empuje el refrigerador y el congelador por completo dentro de la abertura.

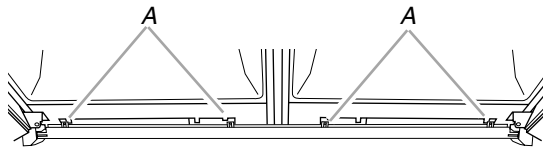


4. Revise que el aparato esté nivelado, ya que esto puede haber cambiado cuando usted lo movió en la abertura.
NOTA: Según la nivelación del piso, es posible que necesite sacar cada aparato y volver a regularlo varias veces, para obtener una alineación satisfactoria.
5. Ajuste los 4 tornillos (L) de la placa superior (D) hasta el tope.

Instale el ensamblaje de la rejilla inferior

1. Alinee los 4 sujetadores del ensamblaje de la rejilla inferior (H) (2 en cada carcasa) con el borde de las aberturas redondeadas en la base de las carcasas.

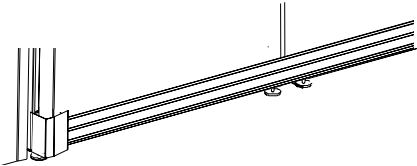




A. Sujetadores de las rejillas alineados con el borde de las aberturas redondeadas

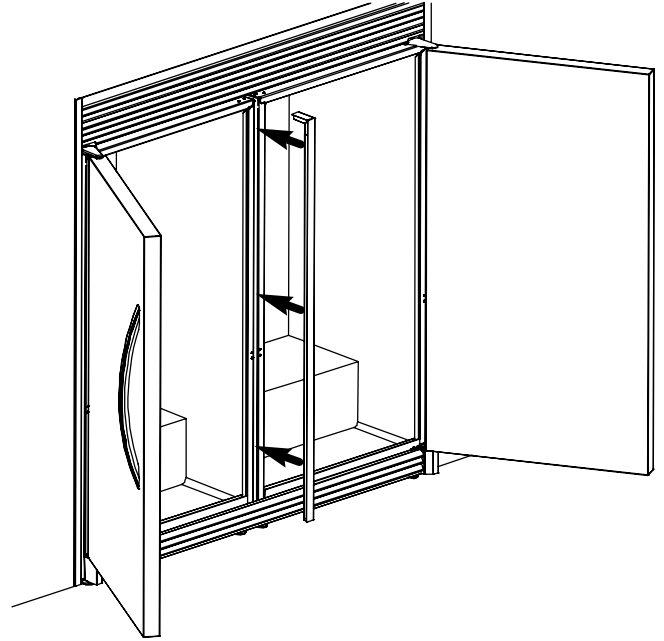
2. Encaje a presión todos los sujetadores de la rejilla en su lugar.

NOTA: Cerciórese de que los sujetadores de la rejilla estén enganchados por completo y de que las cubiertas laterales de la rejilla de la base estén situadas fuera del soporte de la bisagra, en cada aparato.



Instalación del ensamblaje del tapajuntas

1. Coloque el tapajuntas magnético (F) entre el refrigerador y el congelador para llenar el espacio entre los aparatos.
NOTA: El tapajuntas (F) deberá estar a escuadra con la parte superior de las carcasas de los aparatos.



Cuidado y limpieza

Limpie las superficies del marco y la rejilla con un paño de algodón humedecido con una solución de detergente suave para platos y agua tibia. No use limpiadores ásperos o abrasivos, ya que pueden dañar la superficie de metal de la rejilla y el marco.

SÉCURITÉ DE L'ENSEMBLE D'OBTURATION SKT60*

Votre sécurité et celle des autres est très importante.

Nous donnons de nombreux messages de sécurité importants dans ce manuel et sur votre appareil ménager. Assurez-vous de toujours lire tous les messages de sécurité et de vous y conformer.



Voici le symbole d'alerte de sécurité.

Ce symbole d'alerte de sécurité vous signale les dangers potentiels de décès et de blessures graves à vous et à d'autres.

Tous les messages de sécurité suivront le symbole d'alerte de sécurité et le mot "DANGER" ou "AVERTISSEMENT". Ces mots signifient :

⚠ DANGER

Risque possible de décès ou de blessure grave si vous ne suivez pas immédiatement les instructions.

⚠ AVERTISSEMENT

Risque possible de décès ou de blessure grave si vous ne suivez pas les instructions.

Tous les messages de sécurité vous diront quel est le danger potentiel et vous disent comment réduire le risque de blessure et ce qui peut se produire en cas de non-respect des instructions.

Avertissements de la proposition 65 de l'État de Californie :

AVERTISSEMENT : Ce produit contient au moins un produit chimique connu par l'État de Californie pour être à l'origine de cancers.

AVERTISSEMENT : Ce produit contient au moins un produit chimique connu par l'État de Californie pour être à l'origine de malformations et autres déficiences de naissance.

EXIGENCES D'INSTALLATION

L'ensemble d'obturation SKT60* permet d'uniformiser l'apparence des appareils lorsqu'on installe côte-à-côte, un réfrigérateur à une porte et un congélateur vertical.

Planification de l'installation

Planifier l'installation en s'appuyant sur ces instructions et sur les guides d'utilisation et d'entretien fournis avec le réfrigérateur et le congélateur.

IMPORTANT :

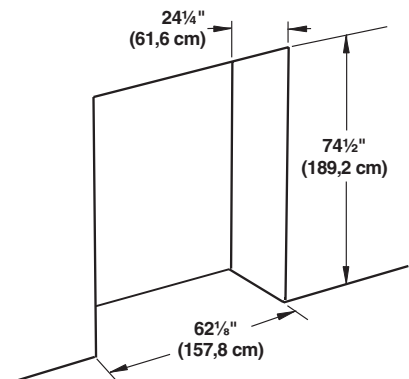
- Pour faciliter la manutention et l'alignement, on recommande que l'installation de l'ensemble d'obturation se fasse avec l'aide de deux personnes.
- S'assurer que l'on dispose de suffisamment d'espace pour l'assemblage des pièces sur le plancher - environ 7 pi (2,1 m) par 10 pi (3,1 m).
- Placer une toile de protection sur le plancher pour protéger les pièces et le revêtement de sol.
- Ces instructions ne constituent qu'un guide général et ne peuvent en aucun cas être substituées aux prescriptions d'un code national ou local applicable. Avant d'entreprendre l'installation, on doit déterminer les critères de conformité de l'installation aux prescriptions de tout code national, provincial ou local.

Exigences d'ouverture

S'assurer que la taille de la cavité d'encastrement correspond aux dimensions suivantes : Hauteur 74½" (189,2 cm); largeur 62⅞" (157,8 cm) et profondeur 24¼" (61,6 cm), tel qu'illustré.

Les dimensions d'ouverture intérieures de l'ensemble d'obturation une fois installée sont de 61,31" (155,7 cm) de largeur par 66,85" (189,7 cm) de hauteur.

REMARQUE : Il est possible d'adapter l'ensemble d'obturation à des ouvertures verticales d'une hauteur inférieure à 74½" (189,2 cm). La taille de l'ensemble d'obturation (B) peut être réduite par mesures de 1" (2,54 cm). Chaque garniture de grille supérieure comporte une hauteur de 1" (2,54 cm). Pour chaque garniture de grille non utilisée, on doit raccourcir la base des garnitures latérales de gauche (E) et de droite (G) de 1" (2,54 cm).



Outillage nécessaire

Réunir les outils et pièces nécessaires avant de commencer l'installation.

Lire et suivre les instructions fournies avec chacun des outils mentionnés dans cette liste. C'est à l'utilisateur qu'incombe la responsabilité de réaliser une installation correcte.

Outillage nécessaire

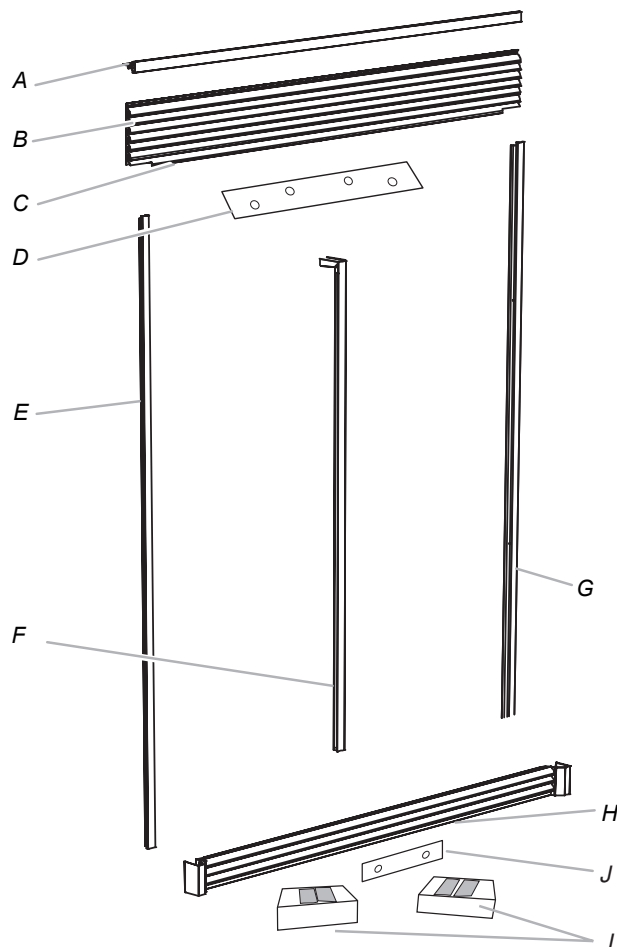
- Perceuse sans fil et foret de ⅛"
- Tournevis Phillips
- Tournevis à lame plate
- Entraînement de douille n° 2
- Tournevis Torx®† T25
- Niveau
- Mètre-ruban
- Ruban adhésif (ruban de masquage ou pour peintres)

Pièces fournies

Retirer les pièces de l'emballage de l'ensemble d'obturation. Vérifier la présence de toutes ces pièces.

IMPORTANT :

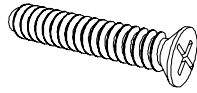
- Afin d'éviter d'érafler la surface des éléments, ne pas utiliser d'objets pointus pour retirer l'emballage.
- Les pièces métalliques peuvent être endommagées en cas de chute.



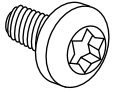
Description (quantité)	Stainless Steel Part Number	Références des pièces blanches
A. Rail de fixation de la garniture supérieure (1)	W10682840	W10682841
B. Grille supérieure (6)	W10682846	W10682847
C. Grille à encoche de la garniture supérieure (1)	W10682843	W10682844
D. Plaque supérieure (1)	W10682876	W10682875
E. Garniture latérale de gauche (1)	W10682850	W10682851
F. F. Tringle d'obturation (1)	W10682856	W10682857
G. Garniture latérale de droite (1)	W10682853	W10682854
H. Grille inférieure (1)	W10682833	W10682834
I. Cale d'espacement (2)	W10682858	W10682858
J. Plaque inférieure (1)	W10907484	



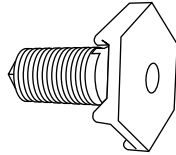
J. Vis Phillips à tête bombée (7)
Référence 3-24004-091



K. Vis Phillips à tête fraisée (2)
Référence 3-24004-159



L. Vis Torx®+ peinte à tête bombée (4)
Ensemble blanc
référence W10383593
Ensemble de pièces
en acier inoxydable
référence W10385275



M. Pied de nivellement (4)
Référence 3-82710-001

Spécifications électriques

⚠ AVERTISSEMENT



Risque de choc électrique

Brancher sur une prise à 3 alvéoles reliée à la terre.

Ne pas enlever la broche de liaison à la terre.

Ne pas utiliser un adaptateur.

Ne pas utiliser un câble de rallonge.

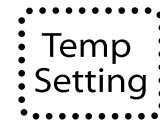
Le non-respect de ces instructions peut causer un décès, un incendie ou un choc électrique.

Avant de déplacer le réfrigérateur ou le congélateur à son emplacement final, il est important de vous assurer d'avoir le raccordement électrique approprié.

Méthode recommandée de mise à la terre

Chaque appareil doit être alimenté par un circuit 115 volts (CA seulement, 60 Hz) relié à la terre et protégé par un fusible de capacité 15 A ou 20 A. Il est recommandé d'utiliser un circuit distinct pour alimenter le congélateur uniquement. Utiliser une prise de courant dont l'alimentation ne peut pas être interrompue par un interrupteur. Ne pas utiliser de rallonge.

REMARQUE : Avant de procéder à tout type d'installation, de nettoyage ou de changement d'une ampoule, appuyer sans relâcher sur TEMP SETTING (réglage de température) pendant 3 secondes pour désactiver le refroidissement, puis déconnecter le réfrigérateur ou le congélateur de la source de courant électrique.

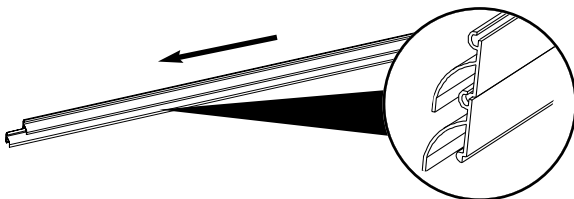


Cooling On/Off
Hold 3 Sec

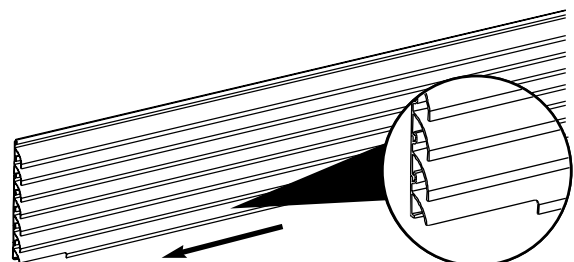
INSTRUCTIONS D'ASSEMBLAGE

Assemblage de la grille supérieure

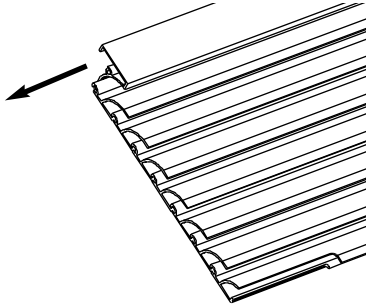
1. Assembler les six garnitures latérales de la grille supérieure (B) en les insérant l'une dans l'autre, entre la languette et la rainure—tel qu'illustré.



2. Fixer la grille à encoche de la garniture supérieure (C) à celles préalablement fixées en la faisant glisser dans la grille de la base/la plus en bas.



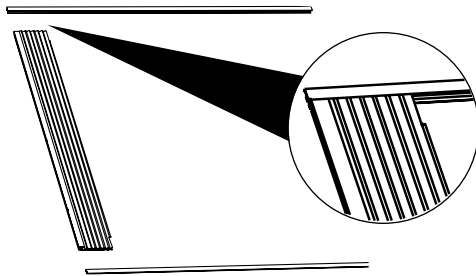
3. Installer le rail de fixation de la garniture supérieure (A) sur la grille supérieure en le faisant glisser sur la garniture de la grille au sommet.



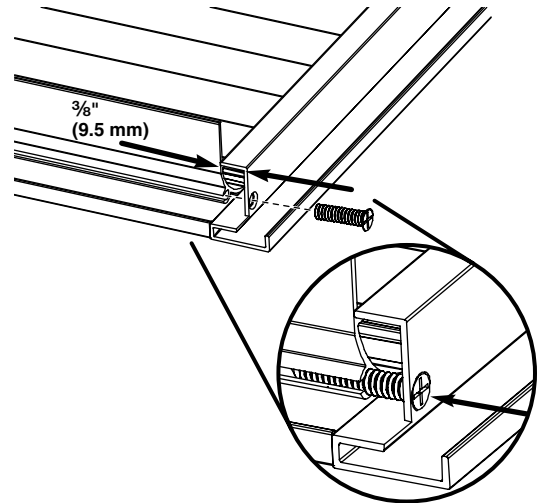
Fixation des rails latéraux

1. Aligner les garnitures latérales (E, G) avec les côtés de la grille supérieure (B).

REMARQUE : S'assurer que toutes les garnitures latérales de la grille sont contenues dans la rainure comportant les garnitures latérales (E et G) et que la surface supérieure de la grille supérieure (B) est en affleurement avec la surface supérieure des côtés.



2. Aligner le trou de la garniture latérale (E et G) avec la rainure située sur la grille supérieure (B), de chaque côté de la grille. Il y aura un écart de $\frac{3}{8}$ " (9,5 mm) entre les garnitures latérales (E et G) et la grille supérieure (B).
3. À l'aide de deux vis Phillips à tête fraisée (K), fixer la garniture latérale (E et G) à la grille supérieure (B). Insérer la vis dans le trou prépercé et dans la rainure de chaque côté de la grille (B), tel qu'illustré.



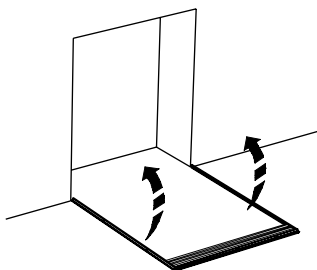
INSTRUCTIONS D'INSTALLATION

Installation de la grille et de la garniture supérieures

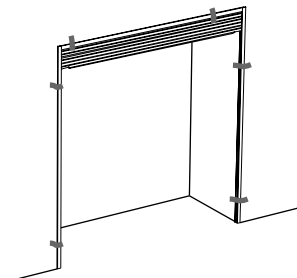
IMPORTANT : La grille et la garniture supérieures ainsi que le plancher peuvent être endommagés en cas de chute.

Préparation de la cavité d'encastrement

1. Placer le carton ou le panneau de contreplaqué sur le plancher, de chaque côté de la cavité d'encastrement non aménagée, au point de contact entre la garniture latérale et le plancher.
2. Placer la grille et la garniture supérieures en les orientant vers le plancher et les centrer dans l'avant de la cavité d'encastrement non aménagée.
3. À l'aide de deux personnes (une de chaque côté), soulever la garniture et la positionner au-dessus de la cavité d'encastrement et de chaque côté.



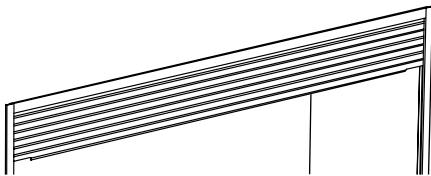
4. Utiliser plusieurs morceaux de ruban adhésif pour fixer temporairement l'ensemble tel qu'illustré.



5. Marquer l'emplacement des trous d'installation de la garniture autour de la cavité. Retirer le ruban adhésif et reposer la garniture sur le plancher.
6. À l'aide d'une perceuse sans fil et d'un foret de $\frac{1}{8}$ " , percer les trous aux emplacements indiqués.
REMARQUE : Certains matériaux des placards ou du mur peuvent nécessiter des trous prépercés avec un foret de $\frac{7}{8}$ " de diamètre.
7. Répéter les étapes 3 et 4.

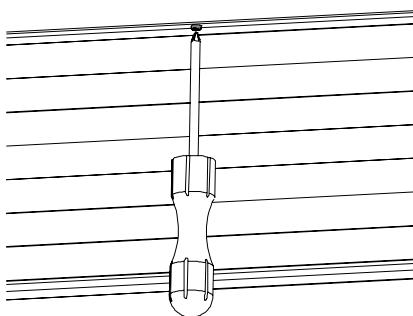
Fixation de la garniture supérieure à la cavité d'encastrement

1. Aligner la grille supérieure contre la cavité de façon à ce qu'elle soit en contact et en affleurement avec la surface avant de la cavité dans le mur ou les placards.



2. À partir de la face inférieure et arrière de la grille supérieure, insérer une vis Phillips à tête bombée (J) dans le trou central prépercé dans la grille supérieure (B) et dans la cavité du mur ou des placards.

REMARQUE : Ne pas serrer complètement la vis.



3. Avec un niveau, établir l'aplomb de la grille supérieure (B) et insérer des cales au besoin.

REMARQUE : Aucune cale n'est fournie avec l'ensemble d'obturation.

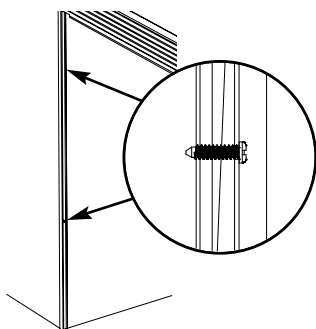
4. Avec deux vis Phillips à tête bombée (J), fixer la grille supérieure (B) en insérant une vis dans les trous prépercés à chaque extrémité. Serrer complètement les vis.
5. Serrer complètement la vis centrale.

Fixation de la garniture latérale à la cavité d'encastrement

1. Avec un niveau, s'assurer que les côtés sont d'aplomb et insérer des cales au besoin.

REMARQUE : Aucune cale n'est fournie avec l'ensemble d'obturation.

2. Avec quatre vis Phillips à tête bombée (J) (deux de chaque côté), fixer les deux garnitures latérales de gauche (E) et de droite (G) sur la cavité d'encastrement ou les placards. Veiller à ce que les garnitures latérales ne se tordent pas.



Installation et alignement du réfrigérateur et du congélateur

⚠ AVERTISSEMENT



Risque de basculement

Le réfrigérateur est lourd au sommet et bascule facilement lorsqu'il n'est pas complètement installé.

Garder les portes fermées avec un ruban adhésif jusqu'à l'installation complète du réfrigérateur.

Utiliser deux ou plus de personnes pour déplacer et installer le réfrigérateur.

Le non-respect de ces instructions peut causer un décès ou une blessure grave.

Déplacement de votre congélateur ou votre réfrigérateur :

Votre congélateur et votre réfrigérateur sont lourds. Lors du déplacement de l'appareil pour le nettoyage ou un entretien ou réparation, veiller à recouvrir le plancher avec du carton ou un panneau de fibres dures pour éviter qu'il ne subisse tout dommage. Toujours tirer l'appareil tout droit lors de son déplacement. Ne pas incliner l'appareil d'un côté ou de l'autre ni le "faire marcher" en essayant de le déplacer car le plancher pourrait être endommagé.

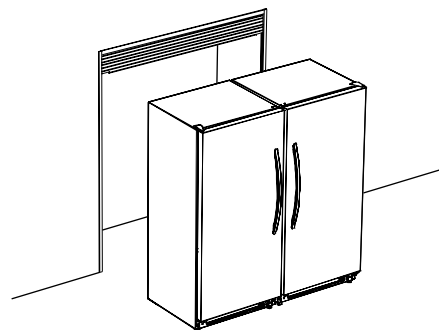
⚠ AVERTISSEMENT

Risque du poids excessif

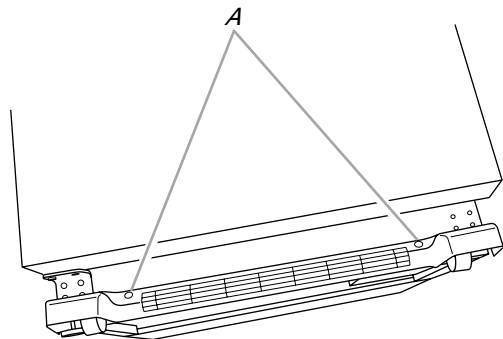
Utiliser deux ou plus de personnes pour déplacer et installer le réfrigérateur.

Le non-respect de cette instruction peut causer une blessure au dos ou d'autre blessure.

1. Positionner le réfrigérateur et le congélateur devant l'ouverture de la cavité d'encastrement (congélateur à gauche et réfrigérateur à droite).



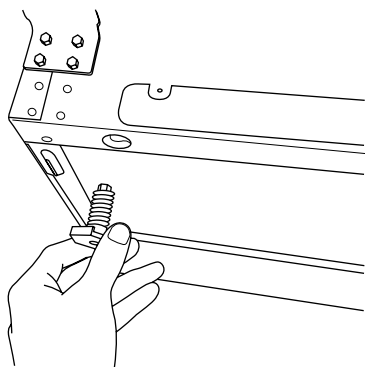
- Retirer la grille de la base en plastique de chaque appareil en retirant les 2 vis Phillips.



A. Emplacement des vis

Installation des pieds de nivellement

- Retirer les 4 vis de charnière à tête hexagonale sur chaque roulette. Mettre les roulettes de côté.
- Placer le réfrigérateur/congélateur sur le dos sur un carton ou un autre matériau protecteur.
- Insérer 2 pieds de nivellement en plastique (M) sur chaque caisse.



- Remettre le réfrigérateur/congélateur en position verticale.
- Ajuster les pieds de nivellement (M) de façon à ce que chaque appareil soit de niveau et à la même hauteur que l'autre.
REMARQUE : Le congélateur et le réfrigérateur comportent chacun à présent à l'avant 2 pieds de nivellement (M) réglables. L'arrière de chaque appareil repose sur 2 supports fixes.
- Placer un niveau sur la partie supérieure de la caisse. Contrôler l'aplomb tout d'abord transversalement, puis dans le sens avant/arrière.
Pour soulever un coin, tourner le pied de nivellement dans le sens horaire.
Pour abaisser un coin, tourner le pied de nivellement dans le sens antihoraire.
- Répéter l'étape 3 pour l'autre appareil jusqu'à ce que le congélateur et le réfrigérateur soient parfaitement d'aplomb et à la même hauteur.

Déplacement du réfrigérateur et du congélateur à leur emplacement définitif

⚠ AVERTISSEMENT



Risque de basculement

Le réfrigérateur est lourd au sommet et bascule facilement lorsqu'il n'est pas complètement installé.

Garder les portes fermées avec un ruban adhésif jusqu'à l'installation complète du réfrigérateur.

Utiliser deux ou plus de personnes pour déplacer et installer le réfrigérateur.

Le non-respect de ces instructions peut causer un décès ou une blessure grave.

Déplacement de votre congélateur ou votre réfrigérateur :

Votre congélateur et votre réfrigérateur sont lourds. Lors du déplacement de l'appareil pour le nettoyage ou un entretien ou réparation, veiller à recouvrir le plancher avec du carton ou un panneau de fibres dures pour éviter qu'il ne subisse tout dommage. Toujours tirer l'appareil tout droit lors de son déplacement. Ne pas incliner l'appareil d'un côté ou de l'autre ni le "faire marcher" en essayant de le déplacer car le plancher pourrait être endommagé.

⚠ AVERTISSEMENT

Risque du poids excessif

Utiliser deux ou plus de personnes pour déplacer et installer le réfrigérateur.

Le non-respect de cette instruction peut causer une blessure au dos ou d'autre blessure.

Positionnement du premier appareil

IMPORTANT: If the electrical outlets are not centered in the back wall of the opening, move the appliance on the opposite side of the outlets into the opening first.

- Pour éviter d'endommager le plancher, le recouvrir de carton ou de contreplaqué.
- Fixer une cale d'espacement en mousse de plastique (I) sur la partie arrière central de chaque appareil.

REMARQUE : Les cales d'espacement (I) arrière permettent d'établir un dégagement correct entre les 2 appareils pour éviter d'endommager la caisse.

- Faire glisser le premier appareil dans la cavité d'encastrement, suffisamment pour pouvoir brancher le cordon d'alimentation sur la prise de courant.

IMPORTANT : Attendre 24 heures avant de brancher le réfrigérateur/congélateur pour éviter une erreur du compresseur.

⚠ AVERTISSEMENT



Risque de choc électrique

Brancher sur une prise à 3 alvéoles reliée à la terre.

Ne pas enlever la broche de liaison à la terre.

Ne pas utiliser un adaptateur.

Ne pas utiliser un câble de rallonge.

Le non-respect de ces instructions peut causer un décès, un incendie ou un choc électrique.

4. Brancher l'appareil sur une prise à 3 alvéoles reliée à la terre.

Positionnement du deuxième appareil

IMPORTANT : Si les prises de courant électrique ne sont pas centrées dans la paroi arrière de la cavité, placer d'abord l'appareil du côté opposé des prises situées dans la cavité.

1. Faire glisser le deuxième appareil dans la cavité d'encastrement, suffisamment pour pouvoir brancher le cordon d'alimentation sur la prise de courant.

IMPORTANT : Attendre 24 heures avant de brancher le réfrigérateur/congélateur pour éviter une erreur du compresseur.

2. Brancher l'appareil sur une prise à 3 alvéoles reliée à la terre.
3. Si nécessaire, il est possible d'ajuster la position horizontale de l'une des portes : desserrer les trois vis des charnières, déplacer la charnière et resserrer les vis.

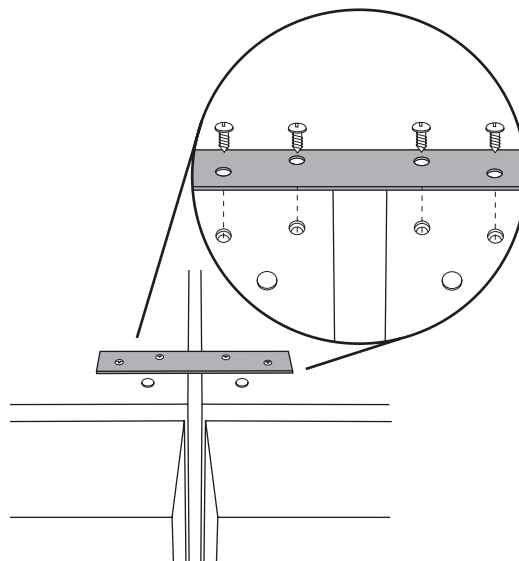
REMARQUE : Prévoir un support supplémentaire de la porte du réfrigérateur pendant le déplacement des charnières. La force d'attraction des aimants de la porte ne suffit pas à la maintenir en place pendant la manutention.

Installation de la plaque supérieure

1. Insérer une vis Torx®† peinte à tête bombée (L) à travers la plaque supérieure (D) et la visser dans la caisse. Utiliser les 2 trous arrière dans chaque caisse.

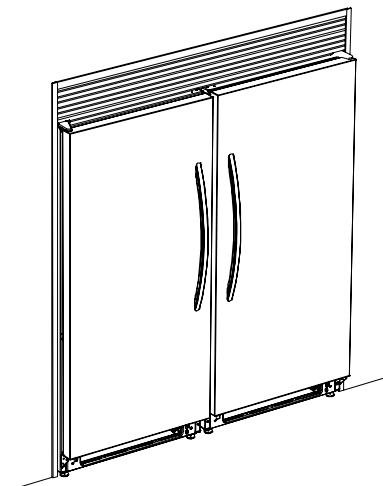
REMARQUE : Ne pas serrer complètement la vis.

2. Aligner les trous de la plaque supérieure (D) avec les trous des appareils et installer les 3 vis (L) restantes comme indiqué.



REMARQUE : Ne pas serrer complètement les vis.

3. Enfoncer complètement le réfrigérateur et le congélateur dans la cavité d'encastrement.



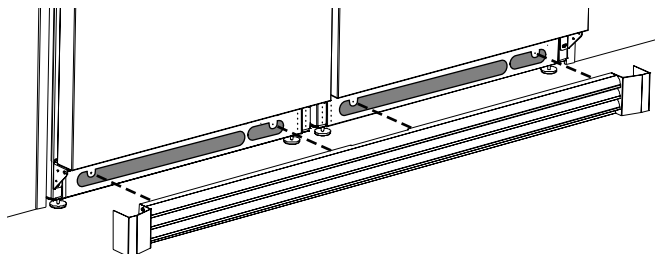
4. Contrôler l'aplomb de chaque appareil car il peut avoir été modifié lors du déplacement de l'appareil dans la cavité.

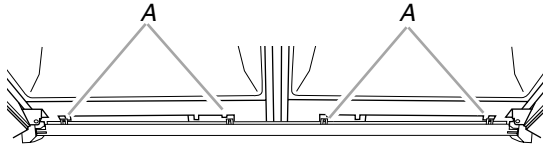
REMARQUE : Selon l'aplomb du plancher, il peut être nécessaire de retirer un appareil plusieurs fois pour modifier le réglage afin d'obtenir un alignement satisfaisant des deux appareils.

5. Serrer complètement les 4 vis (L) de la plaque supérieure (D).

Installation de la grille inférieure

1. Aligner les 4 agrafes de la grille inférieure (H) (2 par caisse) avec le rebord des ouvertures arrondies sur la base de la caisse.

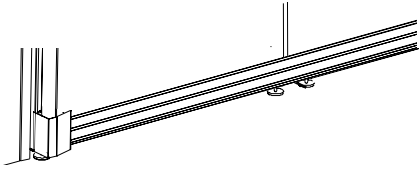




A. Agrafes de la grille alignées avec le rebord des ouvertures arrondies

2. Appuyer sur toutes les agrafes de la grille pour les emboîter.

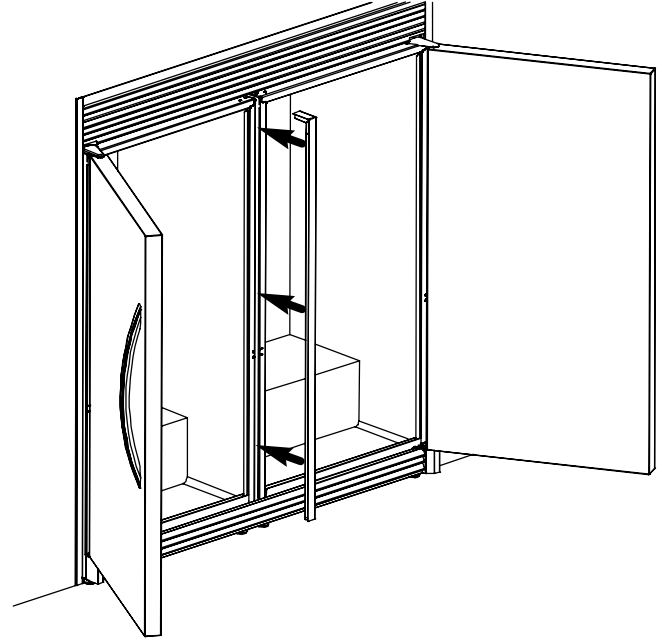
REMARQUE : Vérifier que chaque agrafe de grille est parfaitement engagée, et vérifier l'absence d'interférence entre les embouts latéraux de la grille de la base et la bride de charnière sur chaque appareil.



Installation de la tringle d'obturation

1. Placer la tringle d'obturation magnétique (F) entre le réfrigérateur et le congélateur pour combler l'espace entre les appareils.

REMARQUE : La tringle d'obturation (F) doit être en affleurement avec le sommet de la caisse des deux appareils.



Entretien et nettoyage

Nettoyer la surface de la garniture et de la grille avec un chiffon en coton mouillé et un mélange d'eau tiède et de détergent doux. Ne pas utiliser de nettoyeurs puissants ou abrasifs car ils peuvent endommager la surface métallique de la grille et de la garniture.