



# 28 cu. ft. Side-by-Side Refrigerator

## WRS588FIH



Fingerprint-Resistant Stainless Steel  
WRS588FIHZ

### Also available in:

- White **WRS588FIHW**
- Black **WRS588FIHB**
- Fingerprint-Resistant Black Stainless **WRS588FIHV**

### Capacity

Total Capacity	28 cu. ft.
Refrigerator Capacity	17 cu. ft.
Freezer Capacity	11 cu. ft.

### General Features & Properties

Frameless Glass Shelves
Adjustable Gallon Door Bins
28 cu. ft. Capacity
FreshFlow™ Air Filter
Adaptive Defrost
Humidity-Controlled Crispers
LED Interior Lighting
LED Dispenser Night-Light
Hidden Hinges

### Electrical Details

Amps	15 or 20
Volts	115

### Certifications

ADA Compliant	Yes
---------------	-----

### Technical Details

Refrigerator Type	Side-by-Side
Number of Doors	2
Number of Interior Refrigerator Shelves	4
Number of Refrigerator Door Bins	5 Adjustable
Number of Interior Freezer Shelves	4
Number of Freezer Door Bins	3 Adjustable
Lighting Type	LED
Ice Maker	Factory Installed
Ice Maker Location	Freezer
Dispenser Type	Exterior Ice and Water

### Dimensions

Product Dimensions (H x W x D)	69" x 36" x 34-7/8"
Depth with Door Open 90°	51-1/8"
Cutout Dimensions	Allow extra 1/2" on sides and top Allow extra 1" on rear

### Reference Material

- [Dimension Guide](#)
- [Install Guide](#)
- [Use & Care Guide](#)
- [Energy Guide](#)
- [Warranty](#)

### Key Features & Benefits

#### Exterior Ice and Water Dispenser with EveryDrop™ Filtration

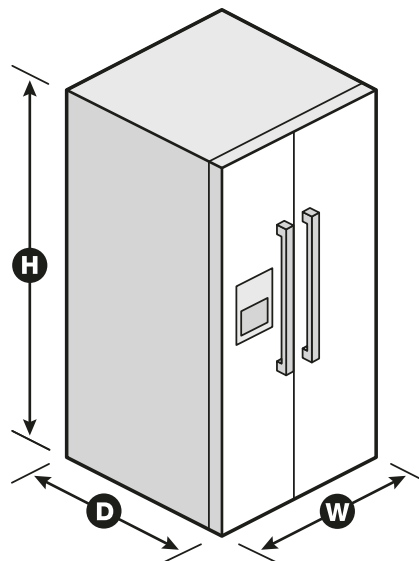
Access fresh filtered water and ice without ever opening the refrigerator door.

#### In-Door-Ice® Storage

Get an extra full shelf in the freezer with an ice bin that's been moved to the door.

#### Accu-Chill™ Temperature Management System

Cool food quickly with technology that senses and adapts to create the ideal environment for food.



NOTE: Dimensions are for planning purposes only. For complete details, see Installation Instructions packed with product. Specifications subject to change without notice.

®/™ © 2020. All rights reserved. Printed in the U.S.A. D200052XXC. WRS588FIHSPECSHEETV01.