



18 cu. ft. Top-Freezer Refrigerator

WRT518SZF



Monochromatic Stainless Steel
WRT518SZFM

Also available in:

- White **WRT518SZFW**
- Black **WRT518SZFB**
- Fingerprint-Resistant Metallic Steel **WRT518SZFG**

Key Features & Benefits

LED Interior Lighting

Keep food looking as good as it tastes.

Flexi-Slide™ Bin

Make space for tall items with the bin that quickly and easily moves side to side.

Electronic Temperature Control

Choose the ideal temperature for whatever foods you're storing with up-front controls.

Capacity

Total Capacity	18 cu. ft.
Refrigerator Capacity	14 cu. ft.
Freezer Capacity	4 cu. ft.

General Features & Properties

Freezer Temperature Control

EZ Connect Ice Maker Compatible

Frameless Glass Shelves

Manual Humidity Controlled Crispers

Adjustable Door Bins

Pocket Handles

Electrical Details

Amps	6.5
Volts	120

Technical Details

Refrigerator Type	Top-Freezer
Number of Doors	2
Number of Interior Refrigerator Shelves	2
Number of Refrigerator Door Bins	2 Fixed, 4 Adjustable
Number of Interior Freezer Shelves	1
Number of Freezer Door Bins	2 Fixed
Lighting Type	LED
Ice Maker	Optional
Ice Maker Location	Freezer
Dispenser Type	N/A

Dimensions

Product Dimensions (H x W x D)	67-7/16" x 28" x 31-5/8"
Depth with Door Open 90°	57"
Cutout Dimensions	Allow extra 1/2" on sides and top Allow extra 1" on rear

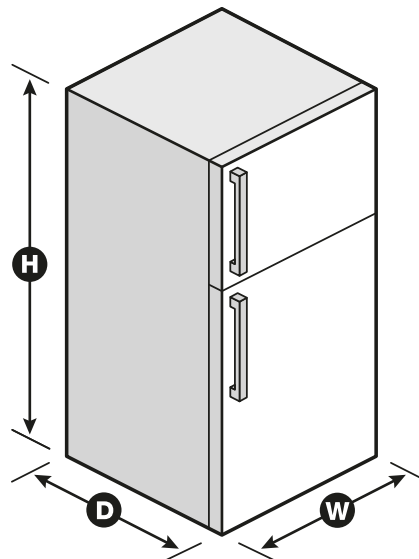
Reference Material

[Dimension Guide](#)

[Use & Care Guide](#)

[Energy Guide](#)

[Warranty](#)



NOTE: Dimensions are for planning purposes only. For complete details, see Installation Instructions packed with product. Specifications subject to change without notice.

®/™ © 2020. All rights reserved. Printed in the U.S.A. D200052XXC. WRT518SZFSPECSHEETV01.