



3.9 cu. ft. Top Load Washer

WTW4950H



White
WTW4950HW

Capacity

Total	3.9 cu. ft.
-------	-------------

General Features & Properties

Soil Level Selection	
----------------------	--

3.9 cu. ft. Capacity	
----------------------	--

Soaking Cycles	
----------------	--

Late Lid Lock	
---------------	--

Quick Wash Cycle	
------------------	--

Whites Cycle	
--------------	--

Colors Cycle	
--------------	--

Bulky/Sheets Cycle	
--------------------	--

Delicates Cycle	
-----------------	--

Electrical Details

Amps	15
------	----

Volts	120
-------	-----

Technical Details

Drum Material	Stainless Steel
---------------	-----------------

Wash Action	Impeller
-------------	----------

Control Location	Rear Panel
------------------	------------

Control Type	Knobs
--------------	-------

Number of Cycles	12
------------------	----

Washer Cycle Selections	Bulky/Sheets
	Clean Washer with affresh®
	Colors
	Colors with Soak
	Delicates
	Drain & Spin
	Heavy Duty
	Normal
	Quick Wash
	Rinse & Spin
	Whites
	Whites with Soak

Washer Option Selections	Auto Sensor
	Deep Water
	Wash-Extra Rinse
	Extra Rinse

Dimensions

Product Dimensions (H x W x D)	43" x 27" x 26-1/2"
--------------------------------	---------------------

Height with Lid Open 90°	52"
--------------------------	-----

Reference Material

[Dimension Guide](#)

[Install Guide](#)

[Use & Care Guide](#)

[Energy Guide](#)

[Warranty](#)

Key Features & Benefits

Water Level Selection

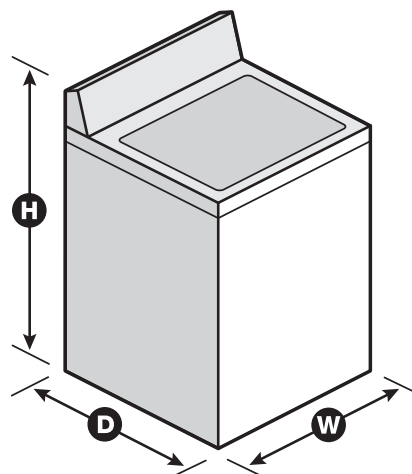
Choose the water level you need for the cycle you want. No matter which wash cycle you choose, Water Level Selection lets you select Auto Sensing to adjust water based on load size or the Deep Water Wash option to help break down loose soils with more water.

Smooth Spiral Stainless Steel Wash Basket

Help protect fabrics from snagging with this stainless steel wash basket that gently guides clothes during the wash.

Smooth Impeller

Make room for large loads and keep clothes in good shape with this specially designed smooth impeller that provides more capacity.*



*Compared to an agitator washer. NOTE: Dimensions are for planning purposes only. For complete details, see Installation Instructions packed with product. Specifications subject to change without notice.