

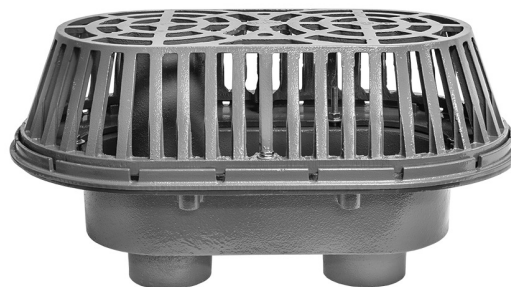
For Commercial Applications

Job Name _____
 Job Location _____
 Engineer _____
 Approval _____
 Tag _____

Contractor _____
 Approval _____
 Contractor's P.O. No. _____
 Representative _____

RD-700 Dual Outlet Roof Drain/Overflow Specification

Watts RD-700 epoxy coated cast iron dual outlet roof drain/overflow combination with flashing clamp, integral gravel stop, 4"(102) high internal overflow standpipe, secured ductile iron dome, and no hub outlet(s).

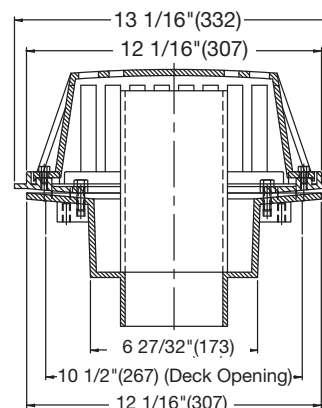
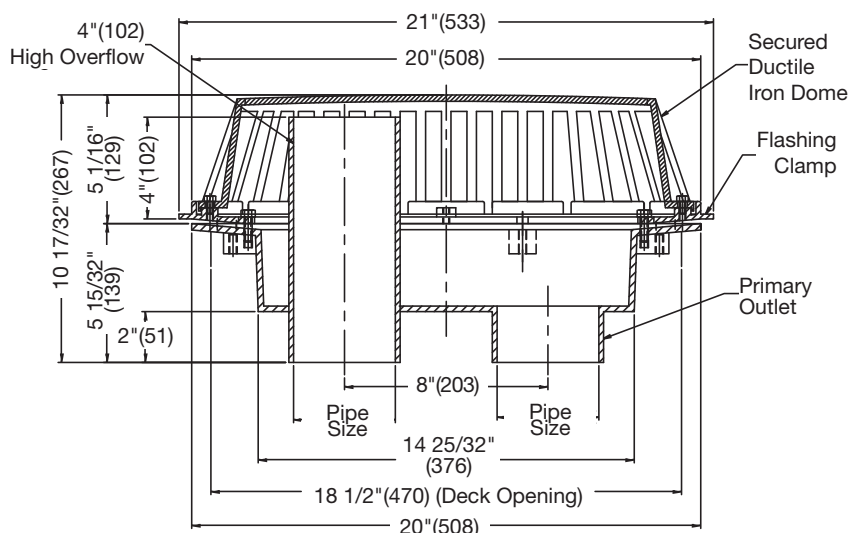


Pipe Size (Select One)		
Suffix	Description	
3	3"(76) Pipe Size	<input type="checkbox"/>
4	4"(102) Pipe Size	<input type="checkbox"/>
5	5"(127) Pipe Size	<input type="checkbox"/>
6	6"(152) Pipe Size	<input type="checkbox"/>

Options (Select One or More)		
Suffix	Description	
-D	Underdeck Clamp	<input type="checkbox"/>
-F	Deck Flange/Adj. Extension	<input type="checkbox"/>
-GSS	Stainless Steel Ballast Guard	<input type="checkbox"/>
-K80	Aluminum Dome	<input type="checkbox"/>
-K83	SS Mesh Covered Aluminum Dome	<input type="checkbox"/>
-L	Vandal Proof Dome	<input type="checkbox"/>
-W2	2" High Overflow	<input type="checkbox"/>

Deck Opening:
 18 1/2"(470) x 10 1/2"(267)
 with Sump Receiver:
 22"(559) x 14"(356)

Free Area Sq. In.
157



NOTICE

The information contained herein is not intended to replace the full product installation and safety information available or the experience of a trained product installer. You are required to thoroughly read all installation instructions and product safety information before beginning the installation of this product.

Watts product specifications in U.S. customary units and metric are approximate and are provided for reference only. For precise measurements, please contact Watts Technical Service. Watts reserves the right to change or modify product design, construction, specifications, or materials without prior notice and without incurring any obligation to make such changes and modifications on Watts products previously or subsequently sold.



USA: T: (800) 338-2581 • F: (828) 248-3929 • Watts.com
Canada: T: (905) 332-4090 • F: (905) 332-7068 • Watts.ca
Latin America: T: (52) 81-1001-8600 • Watts.com