

For Commercial Applications

Job Name _____

Contractor _____

Job Location _____

Approval _____

Engineer _____

Contractor's P.O. No. _____

Approval _____

Representative _____

Tag _____

RD-200-A Small Sump Roof Drain

Specification

Watts RD-200-A epoxy coated cast iron small sump roof drain with wide serrated flashing flange, flashing clamp device with integral gravel stop, accutrol weir and self-locking polyethylene (standard) dome strainer.

Pipe Sizing (Select One)		
Suffix	Description	
2	2"(51) Pipe Size	<input type="checkbox"/>
3	3"(76) Pipe Size	<input type="checkbox"/>
4	4"(102) Pipe Size	<input type="checkbox"/>
6	6"(152) Pipe Size	<input type="checkbox"/>

Outlet Type (Select One)		
Suffix	Description	
NH	No Hub (MJ)	<input type="checkbox"/>
P	Push On	<input type="checkbox"/>
T	Threaded Outlet	<input type="checkbox"/>
X	Inside Caulk	<input type="checkbox"/>

Options (Select One)		
Suffix	Description	
-B	Sump Receiver Flange	<input type="checkbox"/>
-BED	Sump Receiver, Adj Ext.	<input type="checkbox"/>
	Deck Clamp	
-C	Secondary Membrane Clamp	<input type="checkbox"/>
-D	Underdeck Clamp	<input type="checkbox"/>
-E	Adjustable Extension	<input type="checkbox"/>
-GSS	Stainless Steel Ballast Guard	<input type="checkbox"/>
-K	Ductile Iron Dome	<input type="checkbox"/>
-K80	Aluminum Dome	<input type="checkbox"/>
-L	Vandal Proof Dome	<input type="checkbox"/>
-R	2" High External Water Dam	<input type="checkbox"/>
-SO	Side Outlet**	<input type="checkbox"/>
	Adj. Water Level Regulator	<input type="checkbox"/>
-W-1	Waterproofing Flange	<input type="checkbox"/>
-Z	Extended Integral Wide Flange	<input type="checkbox"/>
-5	Sediment Bucket	<input type="checkbox"/>
-12	Galvanized Dome	<input type="checkbox"/>
-13	All Galvanized	<input type="checkbox"/>
-83	Mesh Covered Dome	<input type="checkbox"/>
-113M	Special Epoxy from 3M Range	<input type="checkbox"/>

Free Area Sq. In.
35

**Deck Opening: 6 1/2"(165)
with sump receiver 8"(203)**

Optional Body Material (NH Only)	
Suffix	Description
-60	PVC Body w/Socket Outlet <input type="checkbox"/>
-61	ABS Body w/Socket Outlet <input type="checkbox"/>

* Underdeck Clamp (-BED and -D options) only available in 2"(51), 3"(76), 4"(102) pipe sizes.

** Side Outlet (-SO) option only available in 2"(51), 3"(76), 4"(102) pipe sizes. Underdeck Clamp (-BED and -D options) are not available when -SO is selected.

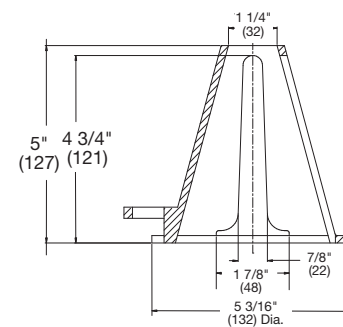
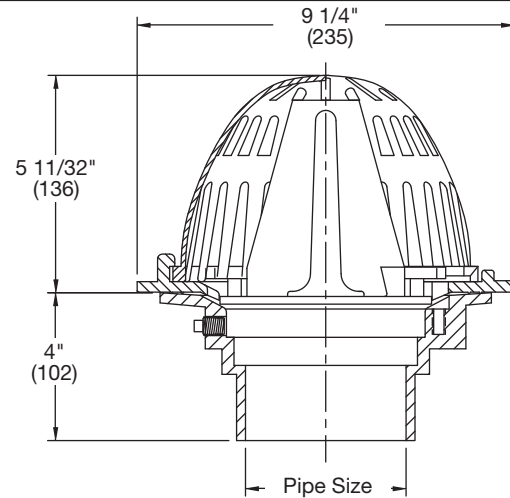


Chart A

	Std.	P	T	X	60/61
Pipe Size	No Hub	Push On	Female Thread	Inside Caulk	PVC/ABS
2"(51)	3 5/8"(92)	4 1/4"(108)	4 1/4"(108)	4 1/2"(114)	3 3/4"(95)
3"(76)	3 5/8"(92)	4 1/4"(108)	4 1/4"(108)	4 1/2"(114)	3 3/4"(95)
4"(102)	3 5/8"(92)	4 1/4"(108)	4 1/4"(108)	4 1/2"(114)	4"(102)
6"(152)	3 1/2"(89)				

NOTICE

The information contained herein is not intended to replace the full product installation and safety information available or the experience of a trained product installer. You are required to thoroughly read all installation instructions and product safety information before beginning the installation of this product.

Watts product specifications in U.S. customary units and metric are approximate and are provided for reference only. For precise measurements, please contact Watts Technical Service. Watts reserves the right to change or modify product design, construction, specifications, or materials without prior notice and without incurring any obligation to make such changes and modifications on Watts products previously or subsequently sold.



USA: T: (800) 338-2581 • F: (828) 248-3929 • Watts.com

Canada: T: (905) 332-4090 • F: (905) 332-7068 • Watts.ca

Latin America: T: (52) 81-1001-8600 • Watts.com