

36-INCH TO 48-INCH SHOWER BASES

Oasis



Home Innovation
LAB CERTIFIED™



MODELS

SB-3636
SP-4
SP-3
SB-4239

SB-4832
SP-2
SB-4836

Rough-In Dimensions	Model	Dimensions
	SB-3636	36" wide x 36" deep x 5-1/4" high (std model)
	SP-4	36" wide x 47-5/8" deep x 7-1/4" high
	SP-3	41-7/8" wide x 42-3/4" deep x 7-1/4" high
	SB-4239	42" wide x 39" deep x 5-1/4" high (std model)
	SB-4832	48" wide x 32" deep x 5-1/4" high (std model)
	SP-2	48" wide x 35" deep x 7-1/4" high
	SB-4836	48" wide x 36" deep x 5-1/4" high (std model)

Finished Dimensions	Model	Dimensions
	SB-3636	36" wide x 36" deep x 4" high (std model)
	SP-4	36" wide x 47-5/8" deep x 6" high
	SP-3	41-7/8" wide x 41-1/2" deep x 6" high
	SB-4239	42" wide x 39" deep x 4" high (std model)
	SB-4832	48" wide x 32" deep x 4" high (std model)
	SP-2	48" wide x 33-3/4" deep x 6" high
	SB-4836	48" wide x 36" deep x 4" high (std model)

Unit Features

- One-Piece Gelcoat Surface
- 3-3/8" Center Drain (see reverse side for location)
- Integral Tile Flange
- Balsa Wood Core Floor Structure
- Textured Floor Pattern

Special Notes

- ABF Models Provide 3" of Drain Clearance
- Individually Packaged In Cartons

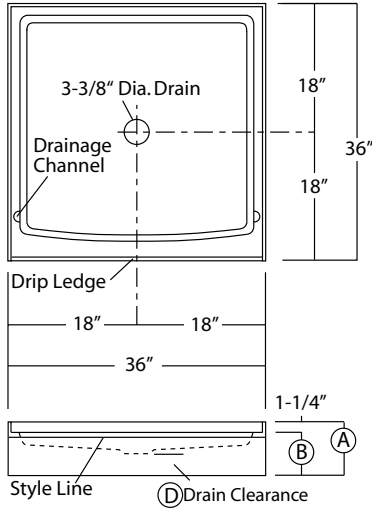
Unit Order Number

Gelcoat: SB-3636
SB-3636 ABF
SP-4
SP-3
SB-4239
SB-4239 ABF

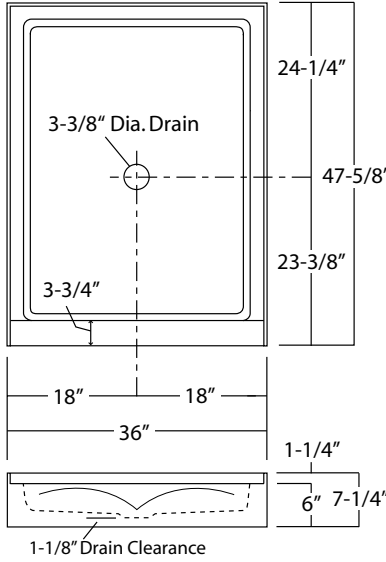
Unit Order Number

Gelcoat: SB-4832
SB-4832 ABF
SP-2
SB-4836
SB-4836 ABF

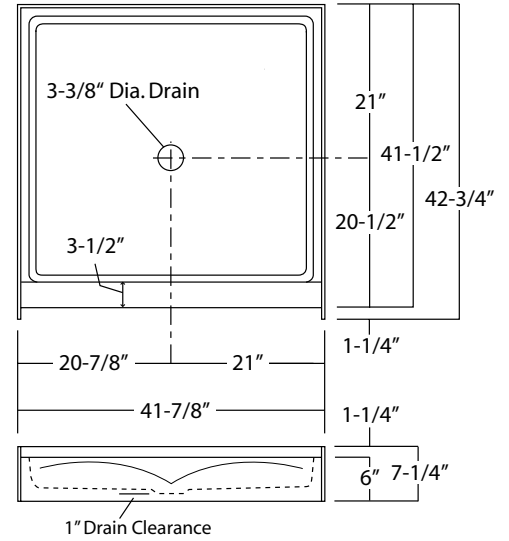
SB-3636 ABF (illustrated)



SP-4



SP-3



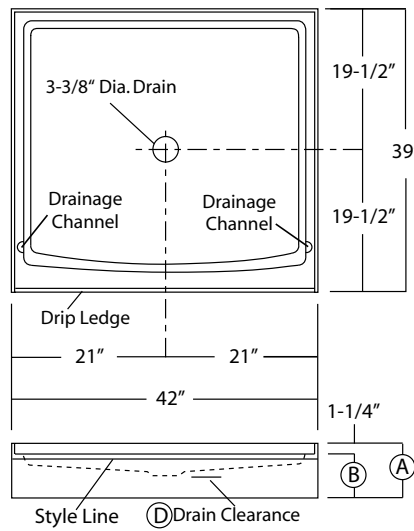
Dimensional Legend

SB-3636 / SB-4239
SB-4832 / SB-4836

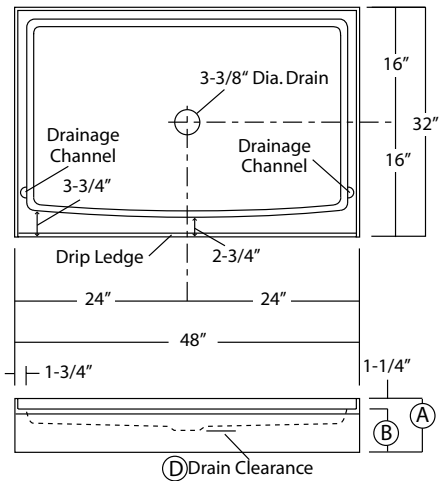
Std Unit	ABF Unit
A	5-1/4" 7-1/4"
B	4" 6"
C	- -
D	1" 3"

NOTE:
Critical enclosure dimensions should be taken directly from the installed shower base with finished wall surround.

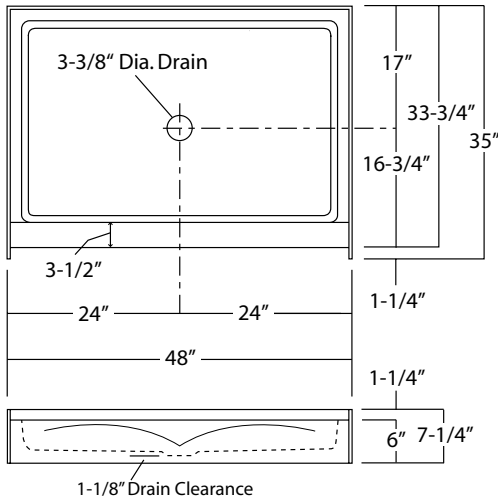
SB-4239 ABF (illustrated)



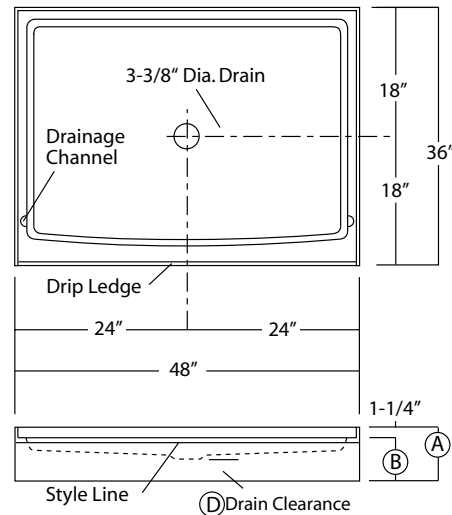
SB-4832 ABF (illustrated)



SP-2



SB-4836 ABF (illustrated)



Photographic images may include optional components and appear different than actual product. Dimensions shown are maximum. Due to the nature of the materials involved, actual unit dimensions can vary (tolerances: +0 / -3/8 inch). Oasis reserves the right to modify or discontinue product and/or associated equipment without prior written or verbal notification or obligation.