

# Oasis 3-Piece, 36-inch Shower Compartment With ActivLife 3-Wall Mid-Level Reinforcement Wrap Package

36-inch / Private Access / Reinforced Only



**Specification** – Oasis 3-piece FRP gelcoat shower compartment, SH3P-3636, offered in a standard 4-inch or 6-inch (ABF) dam configuration. ActivLife package includes factory applied, 3-wall, mid-level wrap reinforcement, exceeding (HUD/FHA) 'Fair Housing' requirements.

**Standards Certification:**

The shower compartment listed is manufactured in compliance with ANSI Z124 Standards, and certified through an ongoing, independent quality assurance and testing program.

## Oasis

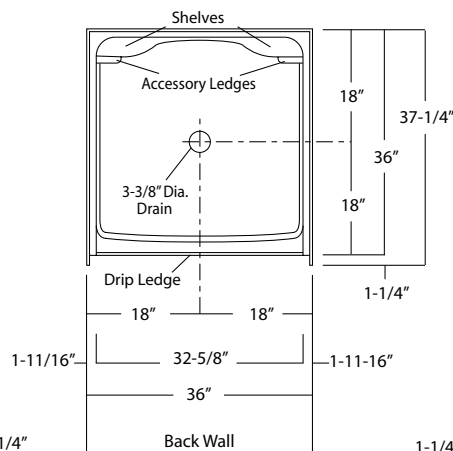
**SH3P-3636 / 3SM**  
(mid-level reinforcement wrap)  
Model & Package Illustrated



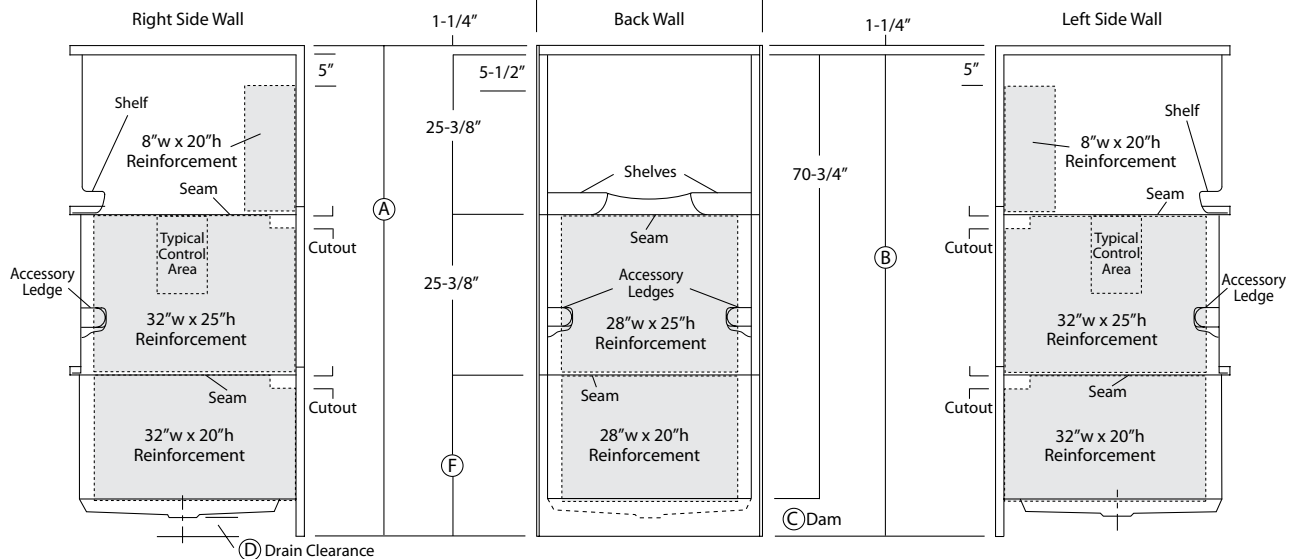
**Home Innovation**  
LAB CERTIFIED™

**ActivLife**  
solutions

	Std Unit	ABF Unit
A	76"	78"
B	74-3/4"	76-3/4"
C	4"	6"
D	1"	3"
E	-	-
F	24"	26"



Enclosure Size:  
32-5/8" w (max) x 70-3/4" h (max)



Dimensions shown are maximum. Due to the nature of the materials involved, actual unit dimensions can vary (tolerances: +0 / -3/8 inch). Oasis reserves the right to modify or discontinue product and/or associated equipment without prior written or verbal notification or obligation.

Model ID	Package Code	Description
----------	--------------	-------------

SH3P-3636 (Std or ABF)	/ 3SM	36" x 36", 3-piece, center drain shower with 4" (std) or 6" (ABF) dam and ActivLife 3-wall mid-level reinforcement wrap package.
------------------------	-------	--

**Package Notes:**

1. Model available without listed package.
2. For REINFORCEMENT ONLY for horizontal bars (HUD/FHA-Fair Housing), see ActivLife "FH" package code.
3. Model available with a full reinforcement wrap (with or without package components), see ActivLife "3SF" package code.
4. Model available with single-bar, 2-bar, or 3-bar packages, see ActivLife "BP1", "BP2", and "BP5" package codes.

