

BUILDER SERIES



Home Innovation
LAB CERTIFIED™



71-1/2-INCH WIDE MODEL

Andros Isle (Self-Rimming)

Unit Dimensions

71-1/2" wide x 41-3/4" deep x 21" high

Unit Features

- Vacuum Formed Acrylic
- 2" Dia. Side Drain (see reverse side for location)
- 2-1/2" Dia. Overflow (see reverse side for location)
- Pre-Leveled Block Base System
- Balsa Wood Core Floor Structure
- Textured Floor Pattern

Special Notes

- Whirlpool System Available (see reverse side for details)
- UL Listed Whirlpool System

Unit / System Order Number

Acrylic: TR-B-400 / 0ND (soaking tub)
TR-B-400 / 6P (Builder System)
TR-B-400 / CWS (Carress System)

System Trim

Standard 6P & CWS Trim (order code): White trim on White unit (WHT) - Bone trim on Bone unit (BON) - Biscuit trim on Biscuit unit (BSC)

Order Number / Description

CWS: *Carress System* includes: 4-Adjustable side jets, 2-rotating foot jets, 2-micro pulse back jets, variable flow control, twin air controls, electronic system control, and 13.5 amp pump/motor.

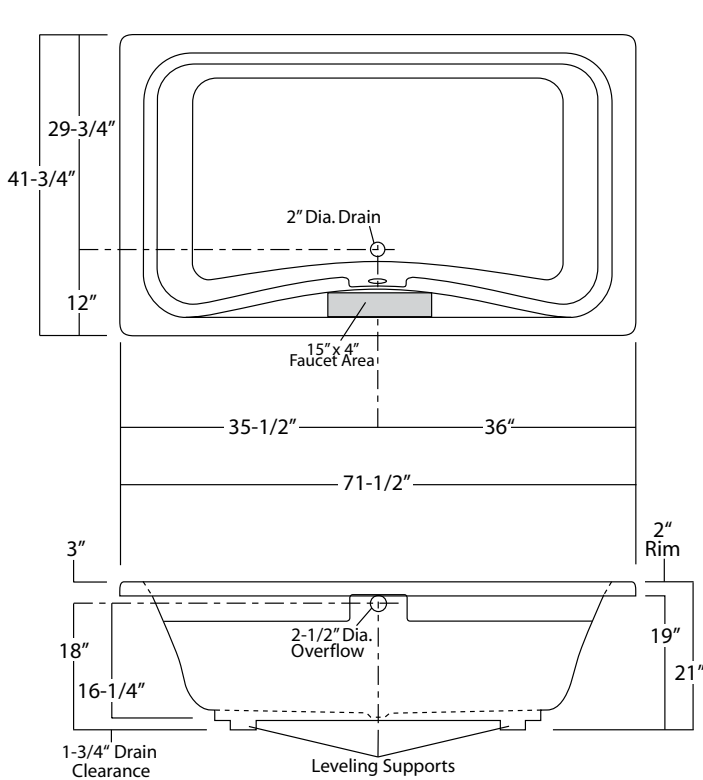
Options: In-Line Heater (1*) (order: ILH)
 Ozone Generator (1*) (order: OZG)
 Chromatherapy Pkg (1*, 2*) (order: CLT)
 Water Level Sensor (1*, 2*) (order: LWV)
 Trim Upgrade (1*)
 Chrome (order: CWS-CHR)
 Brushed (Satin) Nickel (order: CWS-SNK)

Order Number / Description

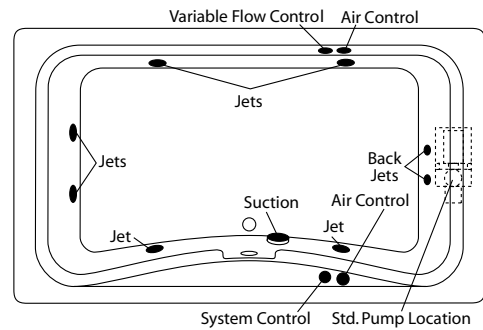
6P: *Builder System* includes: 6-Adjustable jets, twin air controls, pneumatic system control, and 5.50 amp pump/motor.

Options: In-Line Heater (1*) (order: ILH)
 Ozone Generator (1*) (order: OZG)

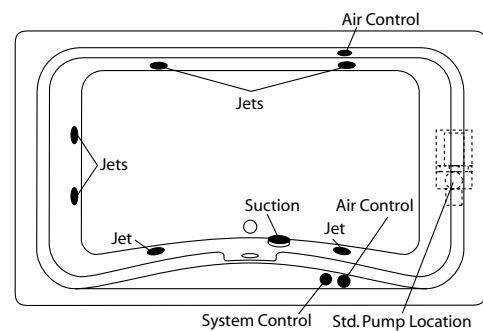
Notes: (1*) Factory installed options
 (2*) Includes system control upgrade
 (3*) Available on acrylic models only



Carress System



Builder System



Andro Isle: TR-B-400
 Sump Dimen: 55" long x 29-3/4" wide x 18" deep
 Sump Capacity: 94 gal. (unoccupied - to overflow)
 Whirlpool Operating: 49 gal.

Photographic images may include optional components and appear different than actual product. Dimensions shown are maximum. Due to the nature of the materials involved, actual unit dimensions can vary (tolerances: +0 / -3/8 inch). Oasis reserves the right to modify or discontinue product and/or associated equipment without prior written or verbal notification or obligation.