

Features

- Frameless
- 1/4" glass
- CleanCoat technology
- Knob handle
- Out-of-plumb adjustability
- Tempered glass ensures maximum safety and durability
- Anodized aluminum prevents rusting and corrosion

Installation

- Not for use in hospitality.
- For residential use only.

Included Components

Additional Components:
Hardware kit



Codes/Standards

ANSI Z97.1
CPSC 16CFR 1201

STERLING® Warranty - Bath and Shower Doors

See website for detailed warranty information.

Available Colors/Finishes

Color tiles intended for reference only.

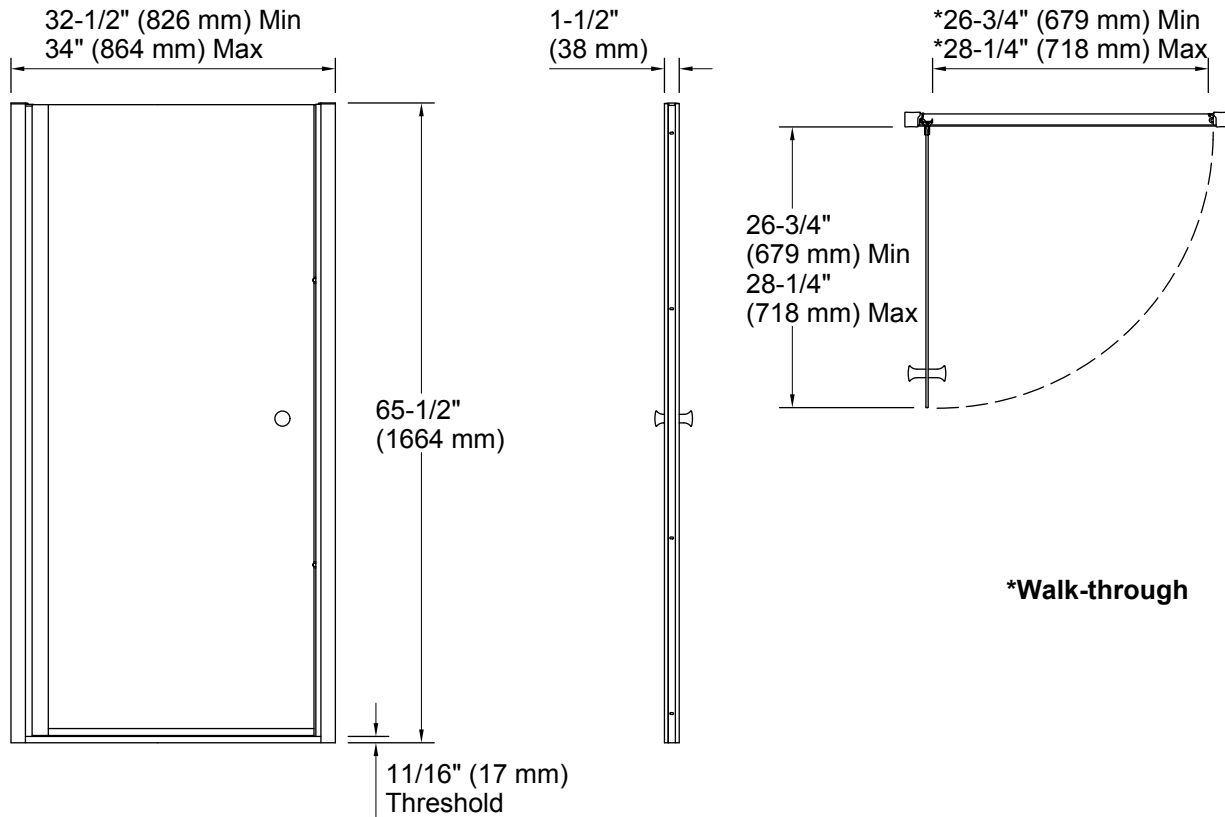
Color Code Description

DR
N
S

Available Glass Options

Code Description

Clear
Frosted



Technical Information

All product dimensions are nominal.
 Installation type: For shower base installation
 Opening Width - Min: 32-1/2" (826 mm)
 Opening Width - Max: 34" (864 mm)
 Walk-through - Min: 26-3/4" (679 mm)
 Walk-through - Max: 28-1/4" (718 mm)
 Glass thickness: 1/4" (6 mm)
 Glass coating: CleanCoat®

Notes

Install this product according to the installation guide.
 The vertical opening should be a minimum of 66" (1676 mm) to allow for installation clearance.